

NOTES

1. MODEL NO. CONFIGURATION GUIDE SEE DWG. NO. 70996 (.XLS)

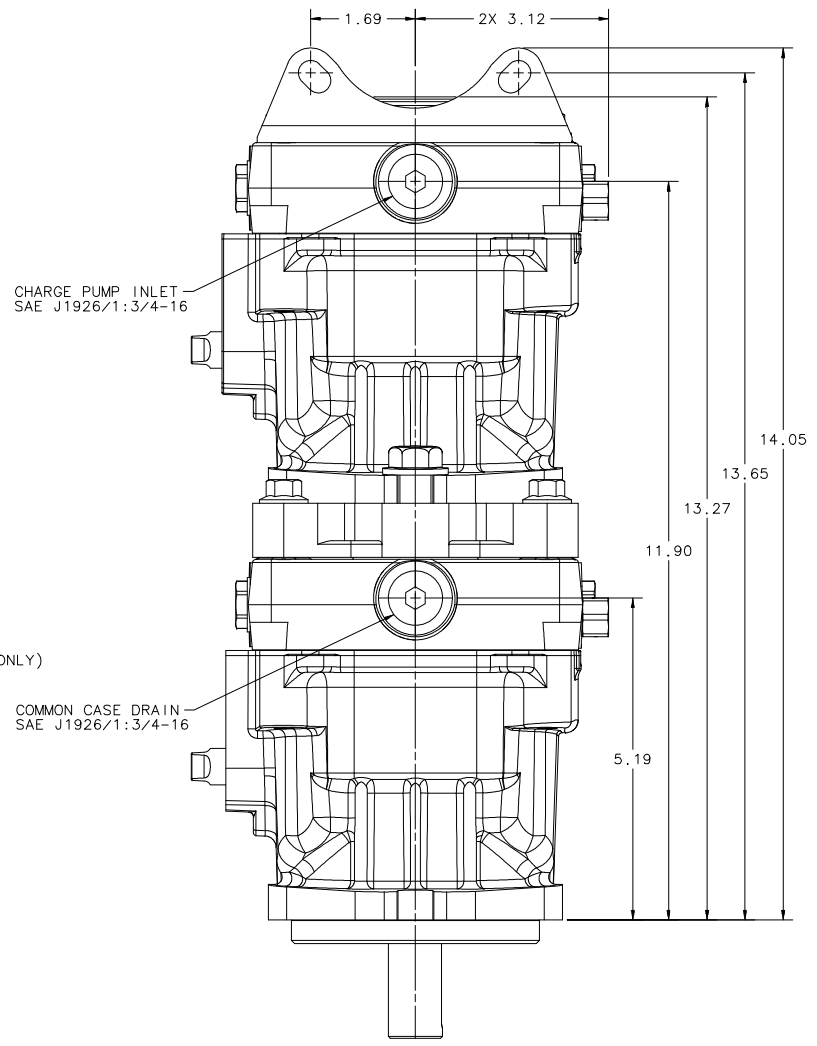
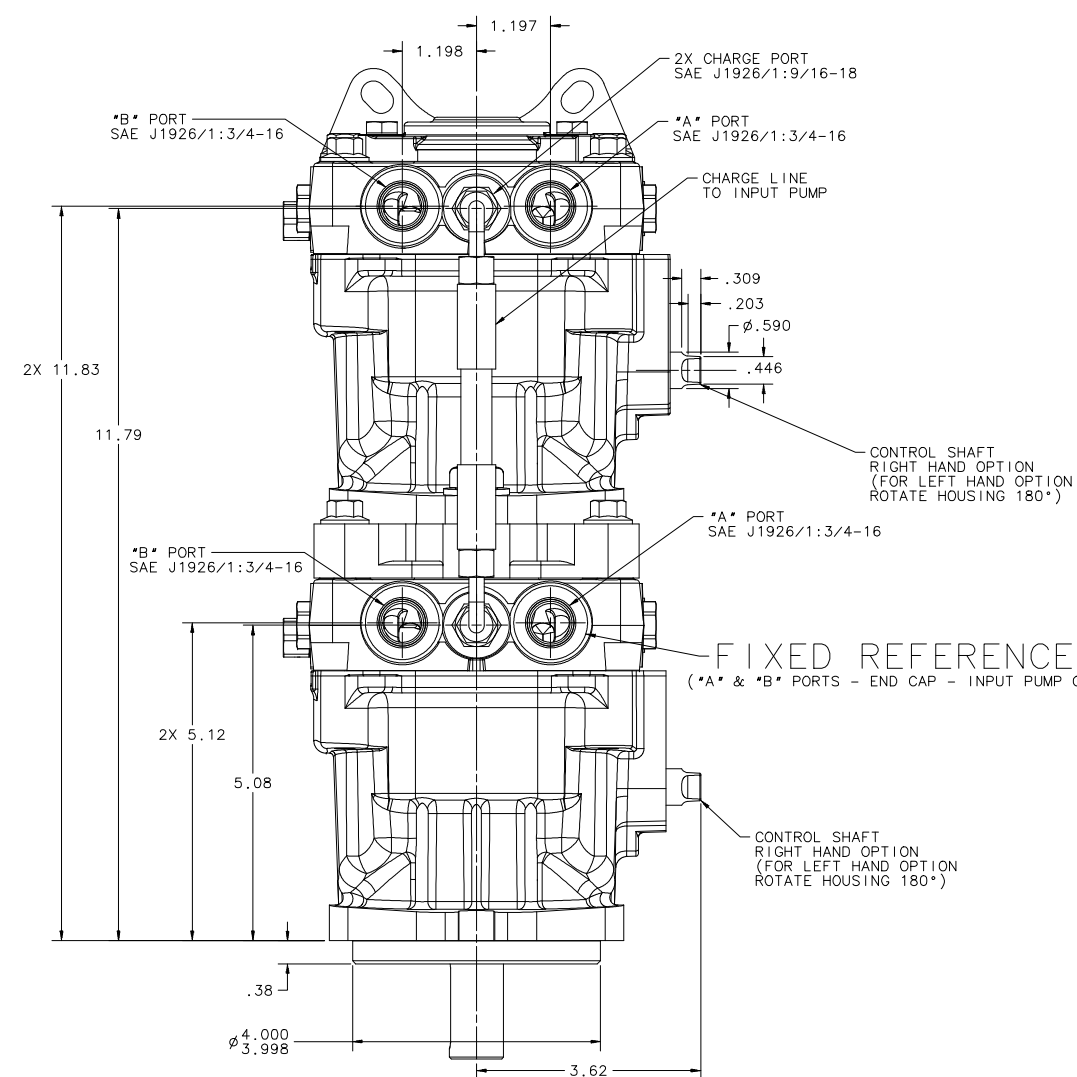


CHART 1

DESIGNATION	GEAR PUMPS RELEASED FOR PRODUCTION								
	DISPLACEMENT cc								
	*2.2	*3.8	*6.0	*7.8	4.0	6.0	8.0	11.	14.
A	1.732	1.850	2.018	2.146	1.703	1.772	1.850	1.920	2.047
B	3.445	3.681	4.016	4.272	3.543	3.839	4.232	4.390	4.783

*GEAR PUMPS USED WITH SAE *A-A* PAD

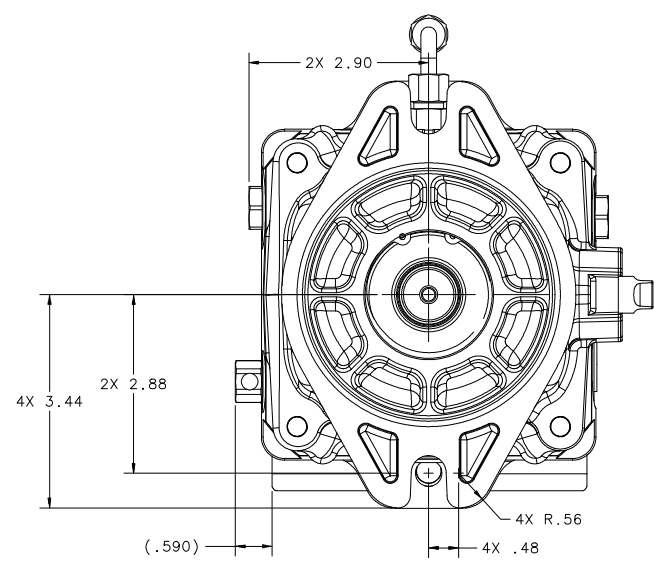
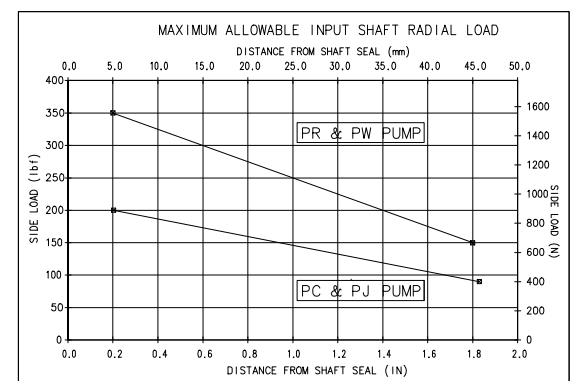
CHART 2

WHEN INPUT PUMP AND SECOND PUMP ORIENTATION IS THE SAME, USE THIS CHART FOR BOTH PUMPS. ORIENTATION IS WITH INPUT SHAFT DOWN AND INPUT PUMP SYSTEM PORTS FACING YOU.

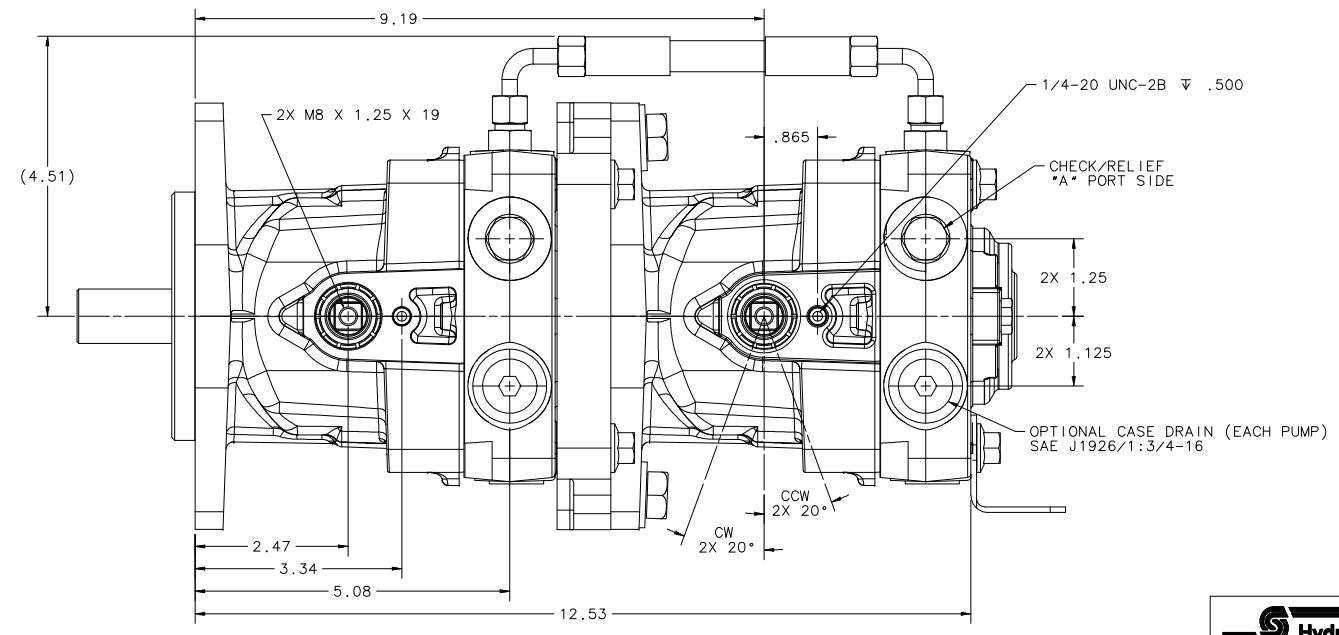
CONTROL SHAFT, INPUT PUMP OR 2ND PUMP	LEFT HAND		RIGHT HAND	
INPUT SHAFT ROTATION	CW	CCW	CW	CCW
CONTROL SHAFT ROTATION	CCW	CW	CCW	CW
PORT 'A' FLOW (INPUT PUMP & 2ND PUMP)	IN	OUT	OUT	IN
PORT 'B' FLOW (INPUT PUMP & 2ND PUMP)	OUT	IN	IN	OUT

WHEN SECOND PUMP ORIENTATION IS OPPOSITE THE INPUT PUMP, USE THIS CHART FOR SECOND PUMP ONLY.

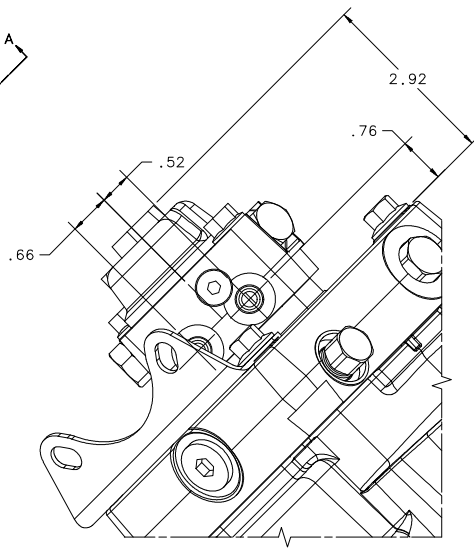
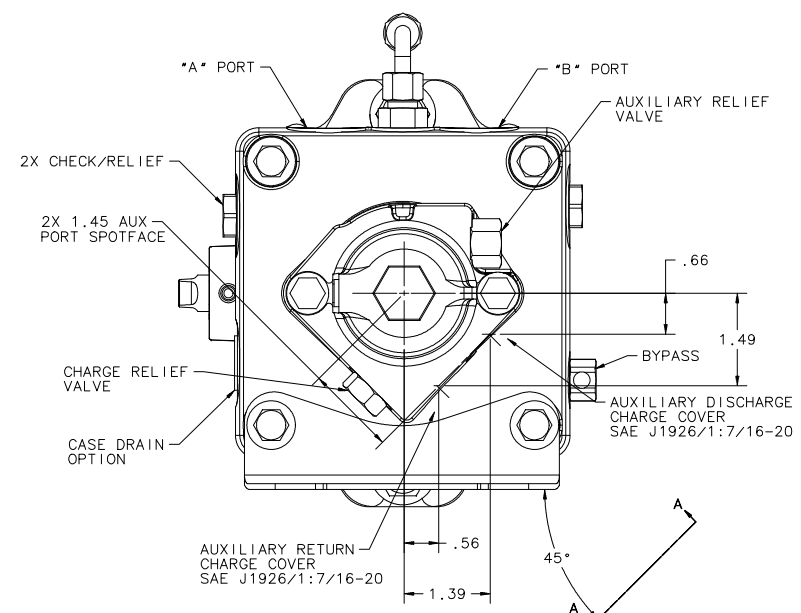
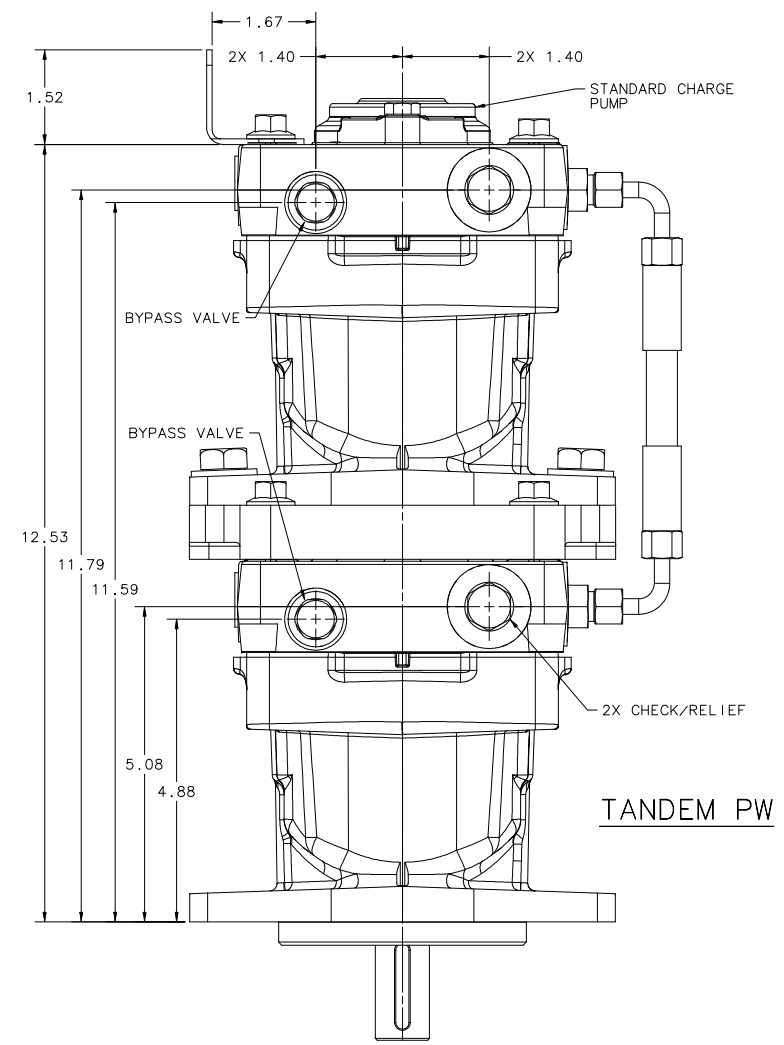
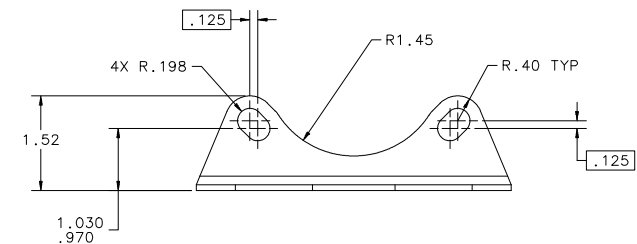
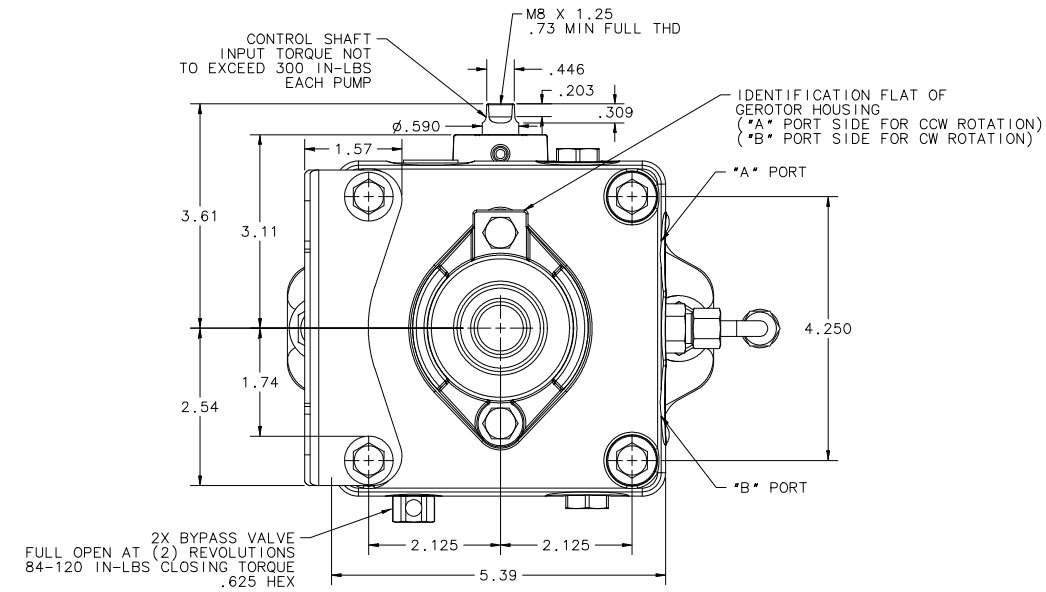
CONTROL SHAFT, INPUT PUMP OR 2ND PUMP	RIGHT HAND		LEFT HAND	
INPUT SHAFT ROTATION	CW	CCW	CW	CCW
CONTROL SHAFT ROTATION	CCW	CW	CCW	CW
PORT 'A' FLOW (2ND PUMP)	IN	OUT	OUT	IN
PORT 'B' FLOW (2ND PUMP)	OUT	IN	IN	OUT



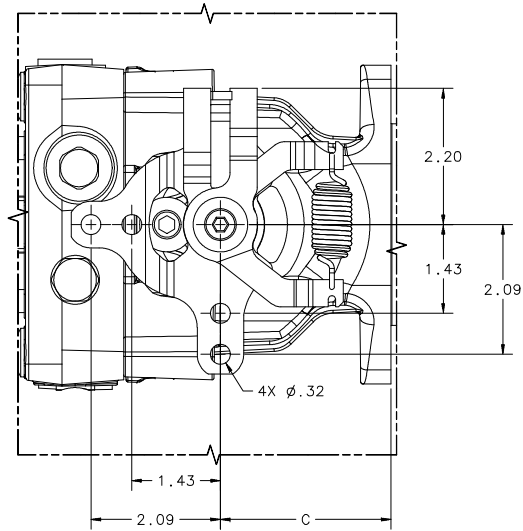
TANDEM PW



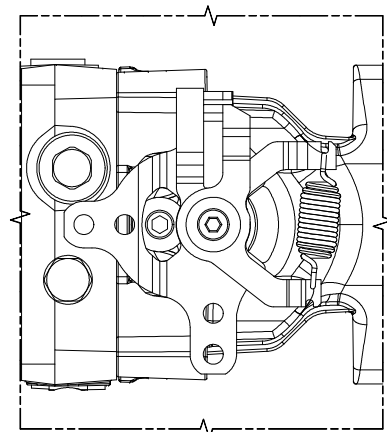
NOTICE - THIS DRAWING CONTAINS HYDRO-GEAR PROPRIETARY INFORMATION. NEITHER RECEIPT NOR POSSESSION THEREOF CONFERS ANY RIGHT TO REPRODUCE, USE, OR DISCLOSE, IN WHOLE OR PART, ANY SUCH INFORMATION WITHOUT WRITTEN AUTHORIZATION FROM HYDRO-GEAR. THE SPECIFICATIONS AND PRODUCT PROFILE DEPICTED HEREIN ARE APPROXIMATE REPRESENTATIONS SUBJECT TO CHANGE WITHOUT NOTICE OR OBLIGATION. CONSULT YOUR HYDRO-GEAR REPRESENTATIVE TO OBTAIN THE ENGINEERING INFORMATION APPROPRIATE TO YOUR APPLICATION.



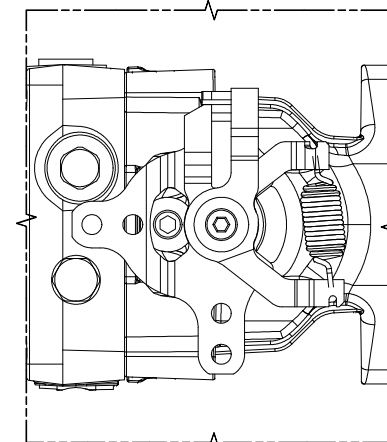
SECTION A-A
SCALE 1:1



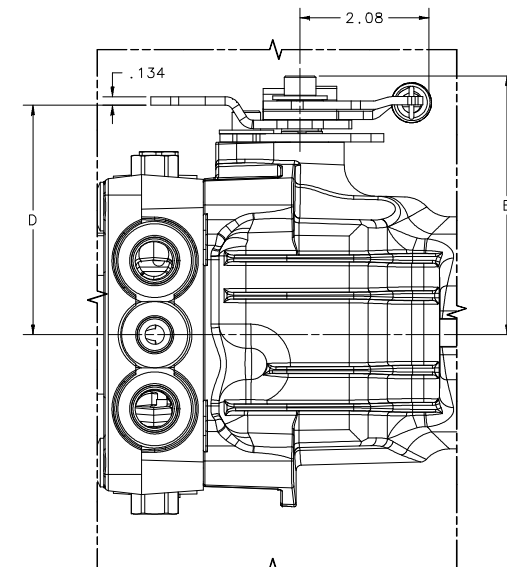
STD RETURN TO NEUTRAL OPTION
(PR SPRING NEAR INPUT SHAFT, SHOWN)
SEE NOTES BELOW



CCW RETURN TO NEUTRAL OPTION
(PR SPRING NEAR INPUT SHAFT, SHOWN)
SEE NOTES BELOW



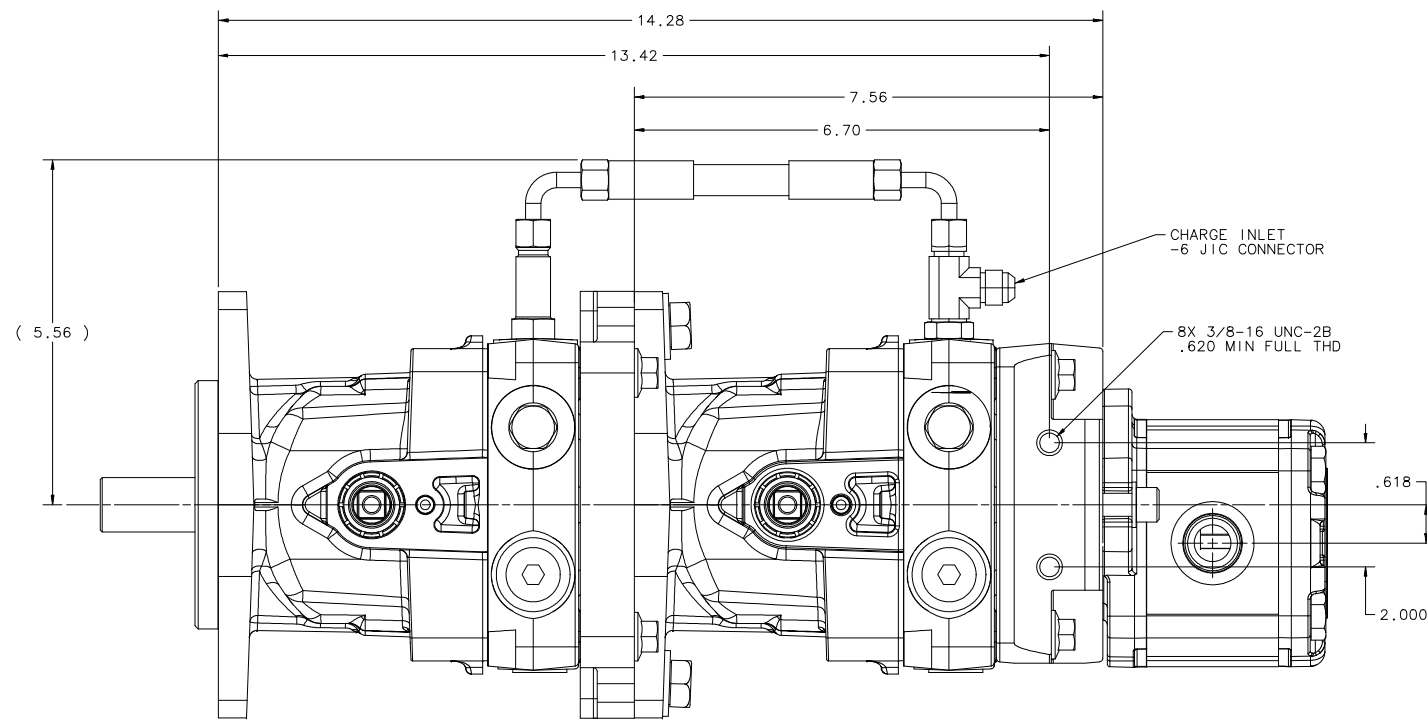
CW RETURN TO NEUTRAL OPTION
(PR SPRING NEAR INPUT SHAFT, SHOWN)
SEE NOTES BELOW



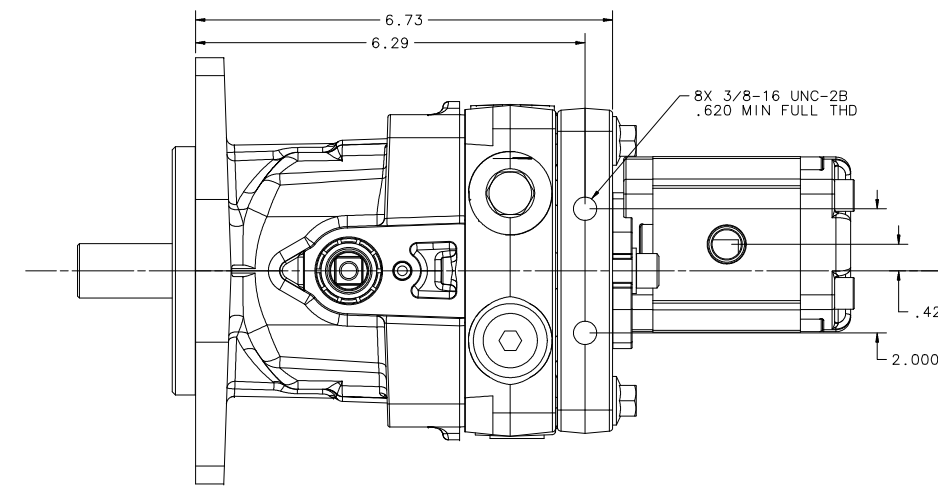
RETURN TO NEUTRAL SIDE VIEW

	PJ	PR	PW	PC
C	2.16	2.57	2.47	2.00
D	3.24	3.67	3.67	3.12
E	3.72	4.14	4.14	3.64

CHART 3

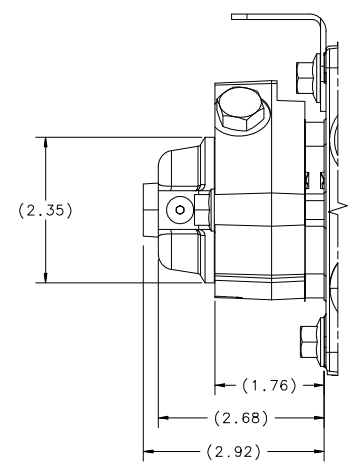


TANDEM PW WITH "A" PAD GEAR PUMP



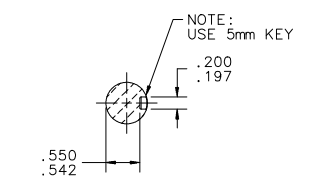
TANDEM PW WITH "AA" GEAR PUMP

NOTE: OPTIONAL ORIENTATION: CONTROL ARM MAY BE ROTATED 180° WITH RESPECT TO THE TRUNNION SHAFT. RTN ROTATES CONTROL ARM IN NOTED DIRECTION BACK TO NEUTRAL POSITION.

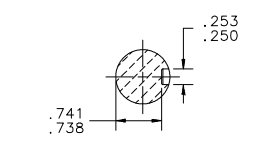
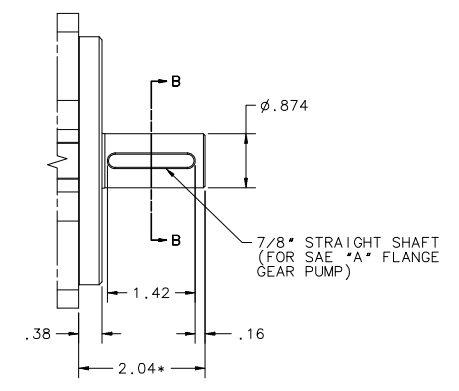
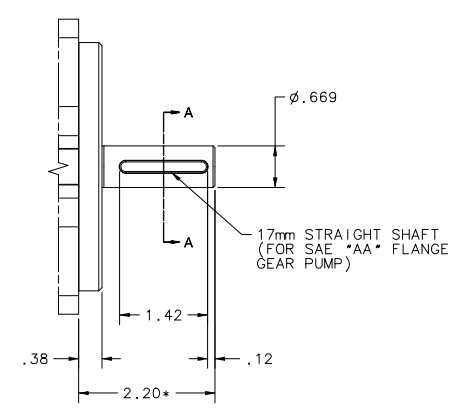


AUXILIARY OPTION

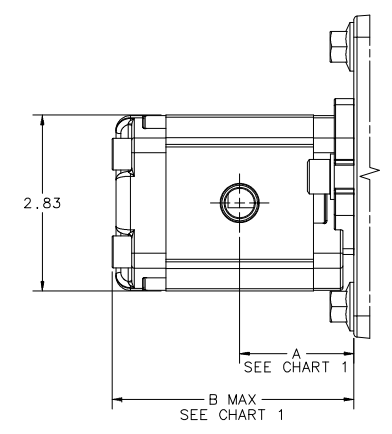
NOTE:
ADDITIONAL INFORMATION ON GEAR
PUMP MAY BE OBTAINED FROM
sauer-danfoss.com



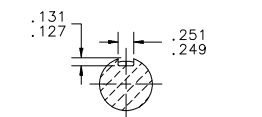
SECTION A-A
SCALE 1:1



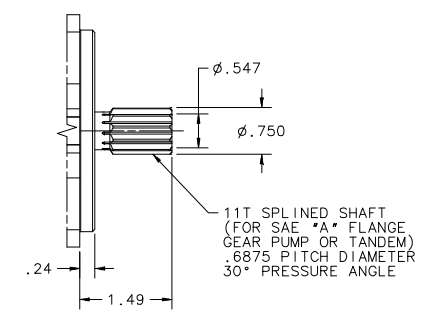
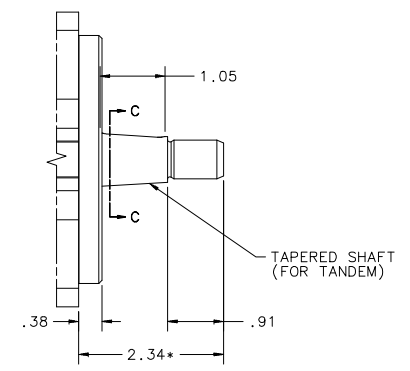
SECTION B-B
SCALE 1:1



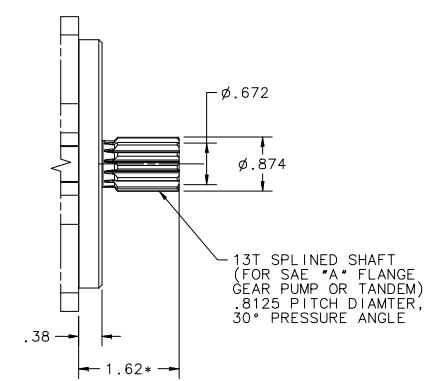
SAE "A-A" PAD GEAR PUMP OPTION



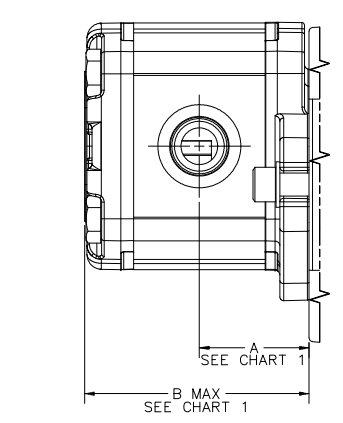
SECTION C-C
SCALE 1:1



11T SPLINED SHAFT
(FOR SAE "A" FLANGE
GEAR PUMP OR TANDEM)
.6875 PITCH DIAMETER
30° PRESSURE ANGLE

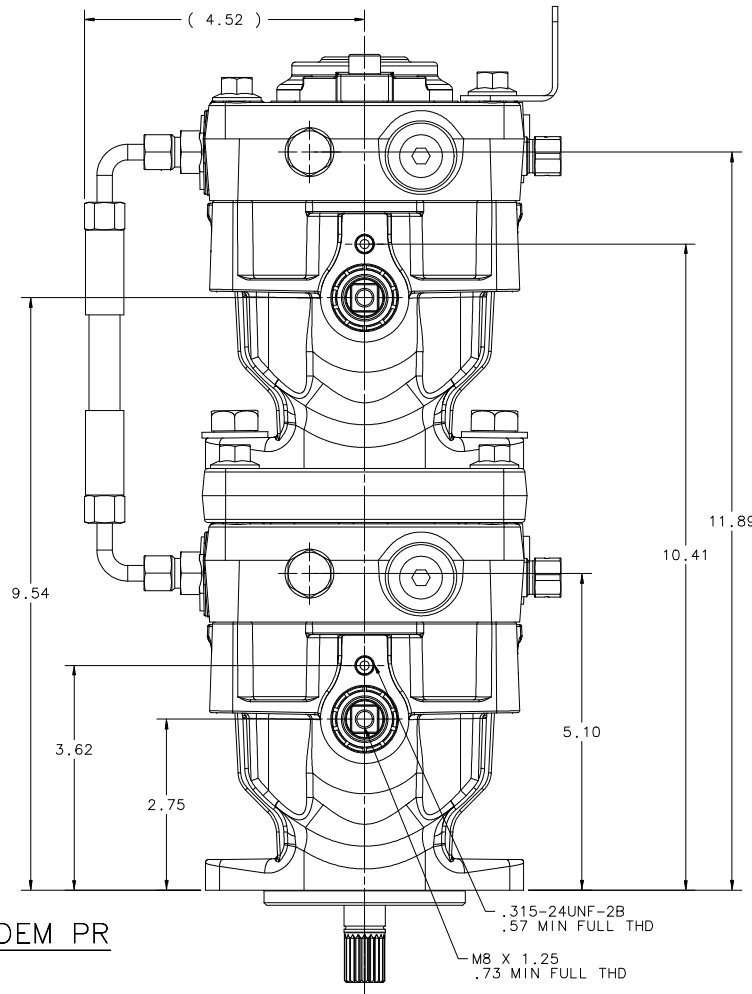
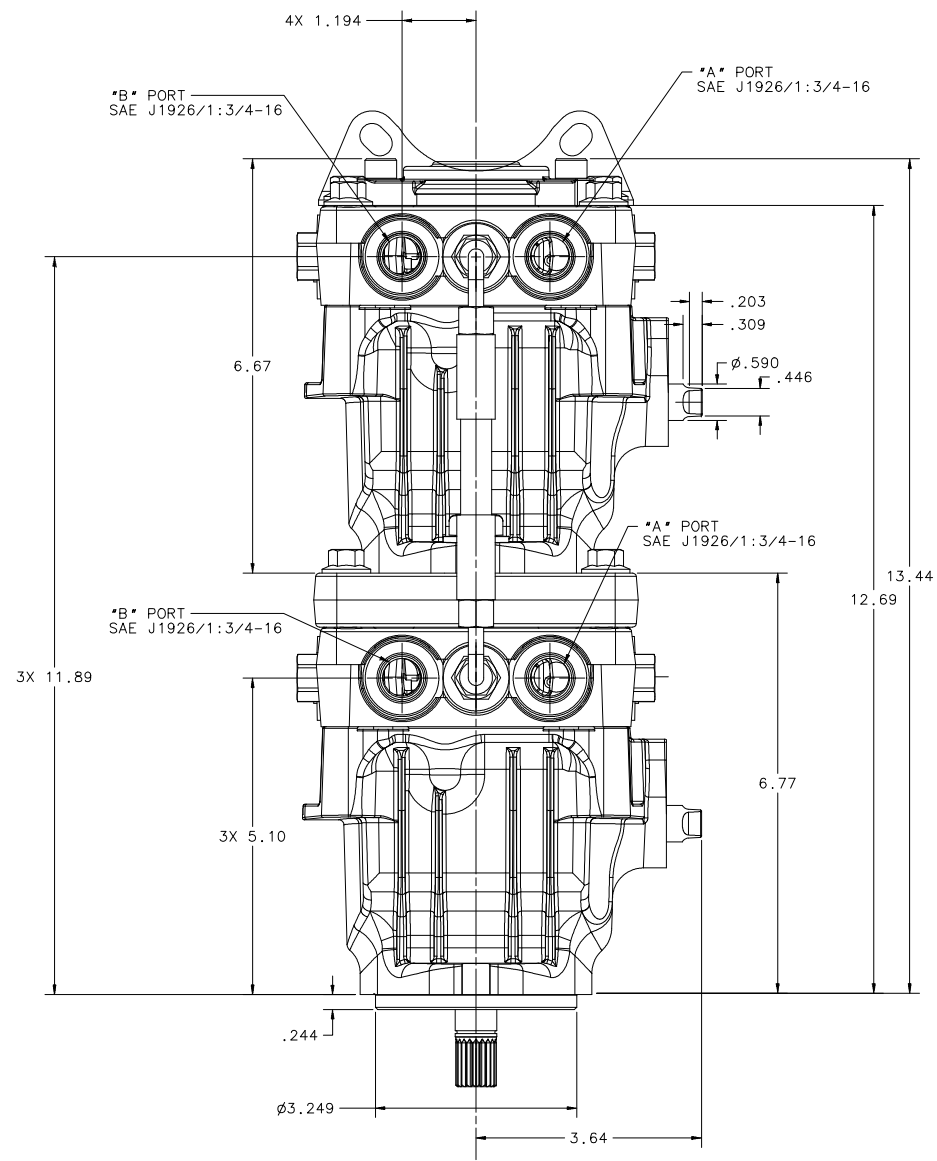
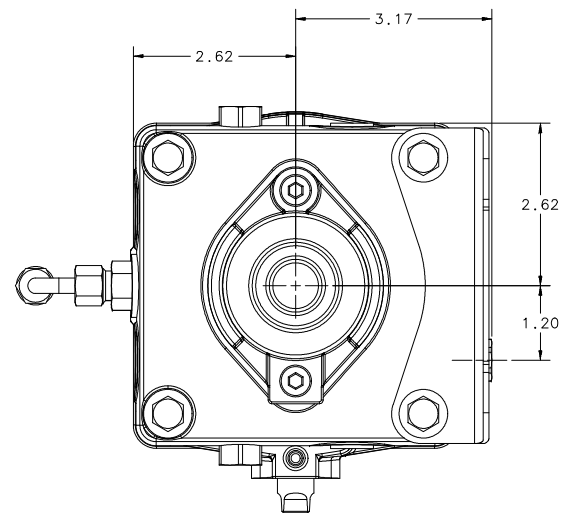


13T SPLINED SHAFT
(FOR SAE "A" FLANGE
GEAR PUMP OR TANDEM)
.8125 PITCH DIAMETER
30° PRESSURE ANGLE



SAE "A" PAD GEAR PUMP OPTION

NOTICE - THIS DRAWING CONTAINS HYDRO-GEAR PROPRIETARY INFORMATION. NEITHER RECEIPT NOR POSSESSION THEREOF CONFERS ANY RIGHT TO REPRODUCE, USE, OR DISCLOSE, IN WHOLE OR PART, ANY SUCH INFORMATION WITHOUT WRITTEN AUTHORIZATION FROM HYDRO-GEAR. THE SPECIFICATIONS AND PRODUCT PROFILE DEPICTED HEREIN ARE APPROXIMATE REPRESENTATIONS SUBJECT TO CHANGE WITHOUT NOTICE OR OBLIGATION. CONSULT YOUR HYDRO-GEAR REPRESENTATIVE TO OBTAIN THE ENGINEERING INFORMATION APPROPRIATE TO YOUR APPLICATION.

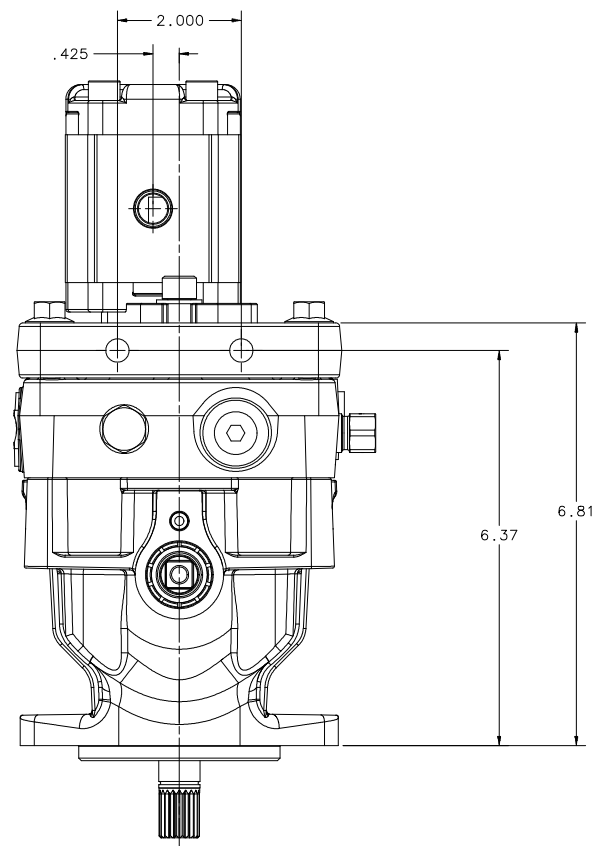


TANDEM PR

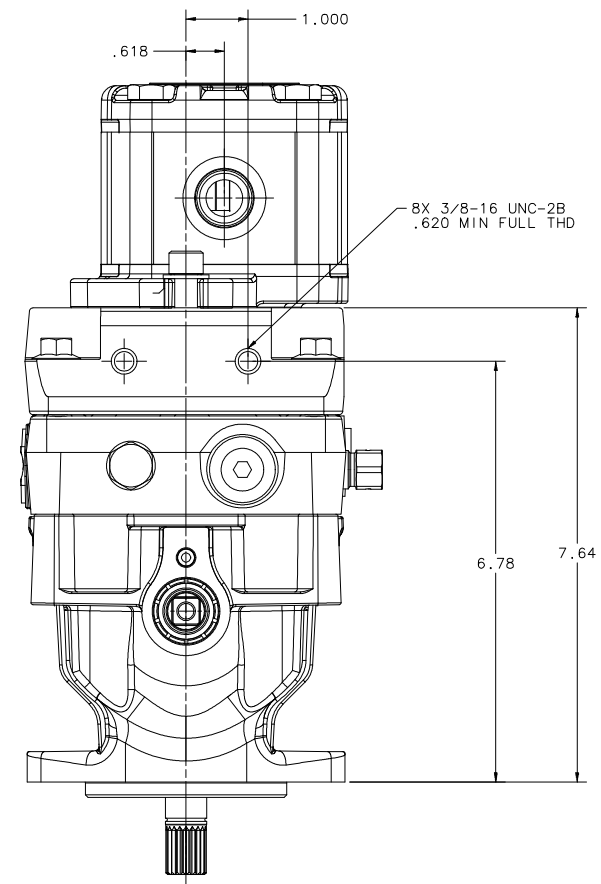
SHEET 5 OF 11

<p>1411 SO. HAMILTON ST. MILLIKEN, IL 61951 PHONE: (815) 728-5851</p>	DATE DRAWN	11/29/99
	DRAWN BY	SAD
	SCALE	FULL
	REVISION DATE	07/21/08
NAME TANDEM SERIES PUMP SALES DRAWING	PART NUMBER	70562

NOTICE - THIS DRAWING CONTAINS HYDRO-GEAR PROPRIETARY INFORMATION. NEITHER RECEIPT NOR POSSESSION THEREOF CONFERS ANY RIGHT TO REPRODUCE, USE, OR DISCLOSE, IN WHOLE OR PART, ANY SUCH INFORMATION WITHOUT WRITTEN AUTHORIZATION FROM HYDRO-GEAR. THE SPECIFICATIONS AND PRODUCT PROFILE DEPICTED HEREIN ARE APPROXIMATE REPRESENTATIONS SUBJECT TO CHANGE WITHOUT NOTICE OR OBLIGATION. CONSULT YOUR HYDRO-GEAR REPRESENTATIVE TO OBTAIN THE ENGINEERING INFORMATION APPROPRIATE TO YOUR APPLICATION.




TANDEM PR WITH "AA" GEAR PUMP

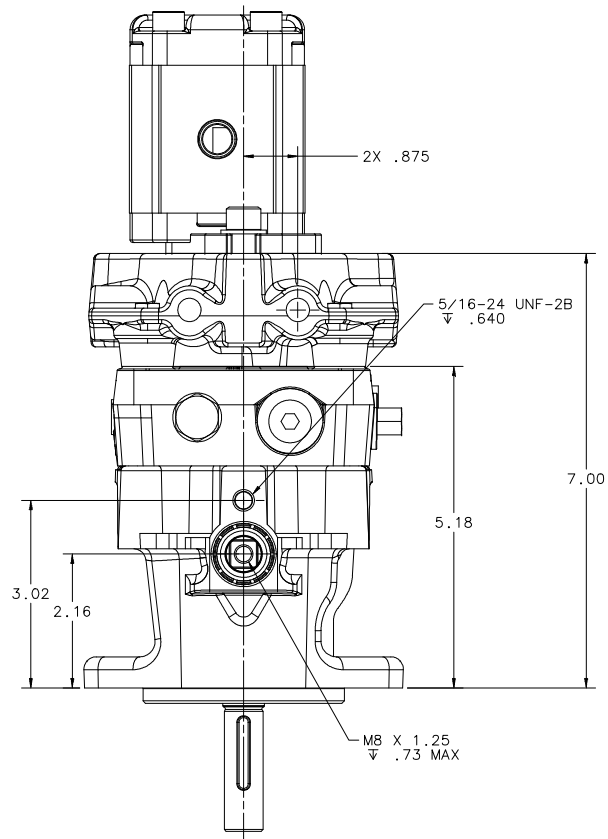
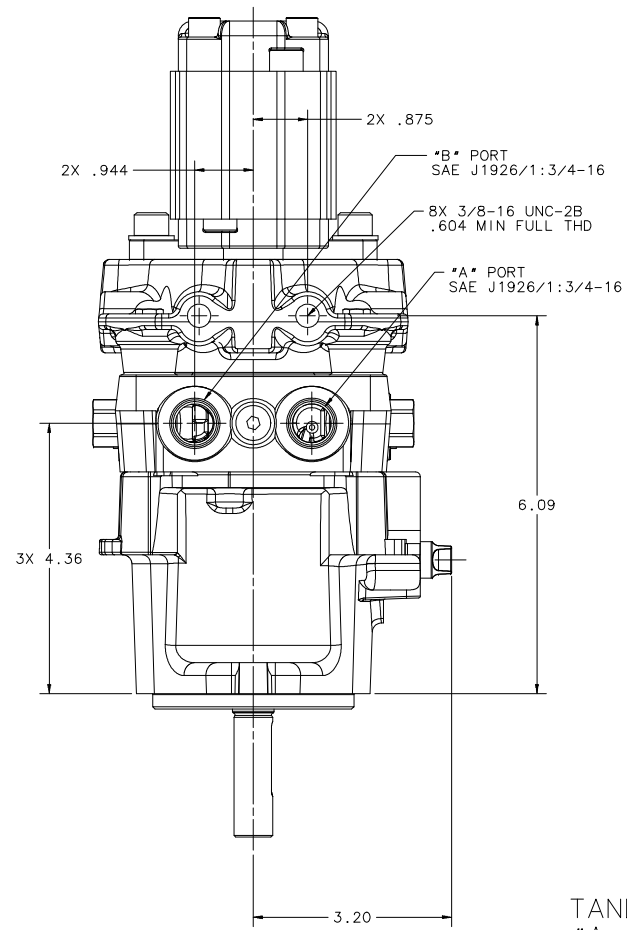
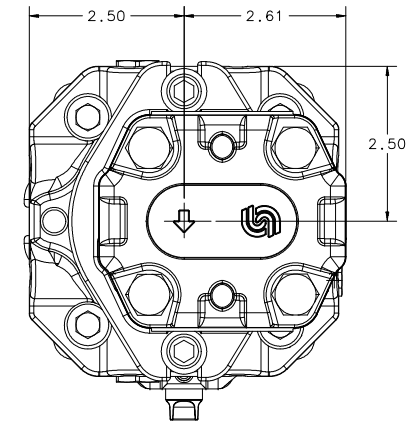
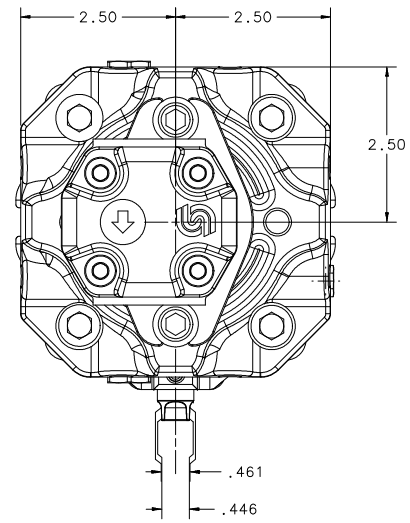


TANDEM PR WITH "A" GEAR PUMP

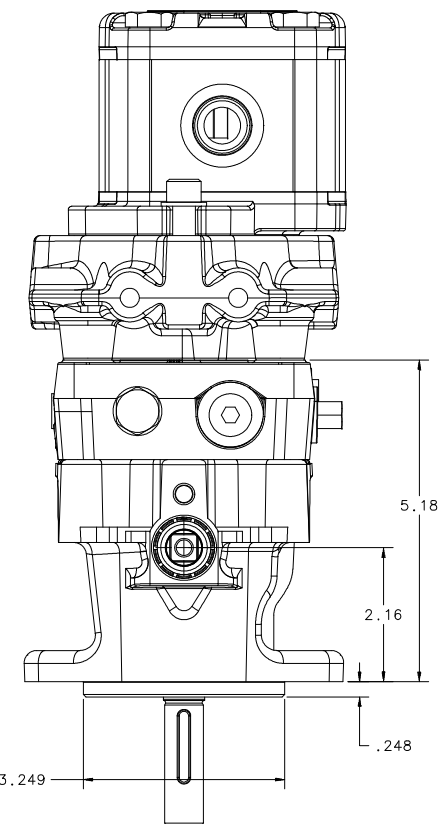
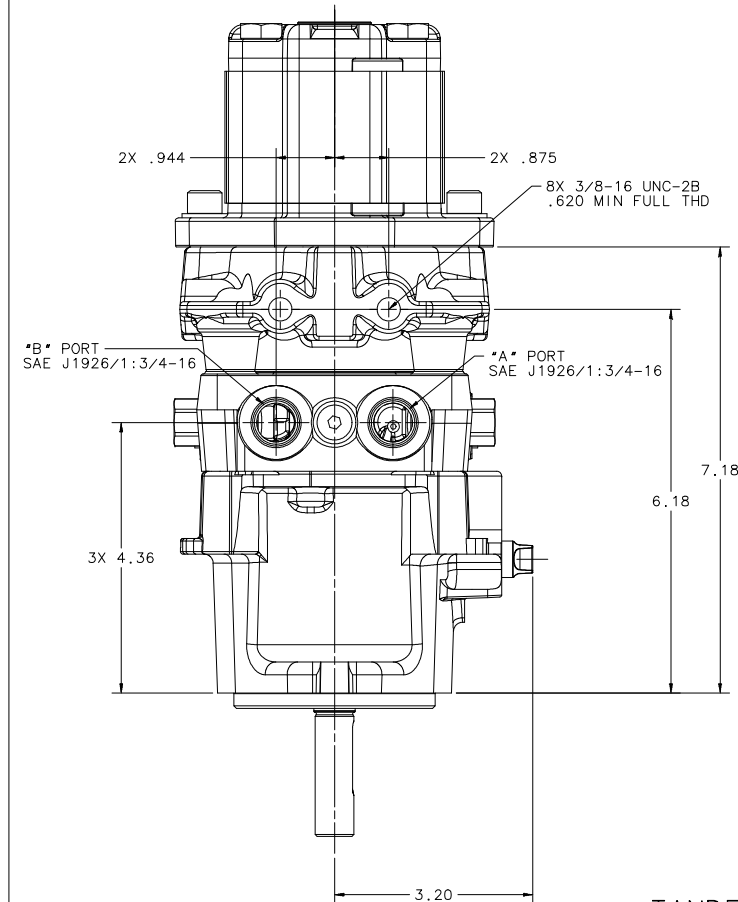
SHEET 6 OF 11

 <p>1411 SO. HAWLEIGH ST. BELLVILLE, IL 61001 PHONE (815) 728-5451</p>	FRAME E	11-DEAS
	DATE DRAWN	11/02/99
	DRAWN BY	SAD
	SCALE	FULL
	REVISION DATE	07/21/08
NAME TANDEM SERIES PUMP	PART NUMBER	70562
SALES DRAWING		

NOTICE - THIS DRAWING CONTAINS HYDRO-GEAR PROPRIETARY INFORMATION. NEITHER RECEIPT NOR POSSESSION THEREOF CONFERS ANY RIGHT TO REPRODUCE, USE, OR DISCLOSE, IN WHOLE OR PART, ANY SUCH INFORMATION WITHOUT WRITTEN AUTHORIZATION FROM HYDRO-GEAR. THE SPECIFICATIONS AND PRODUCT PROFILE DEPICTED HEREIN ARE APPROXIMATE REPRESENTATIONS SUBJECT TO CHANGE WITHOUT NOTICE OR OBLIGATION. CONSULT YOUR HYDRO-GEAR REPRESENTATIVE TO OBTAIN THE ENGINEERING INFORMATION APPROPRIATE TO YOUR APPLICATION.



TANDEM PJ
"A-A" PAD

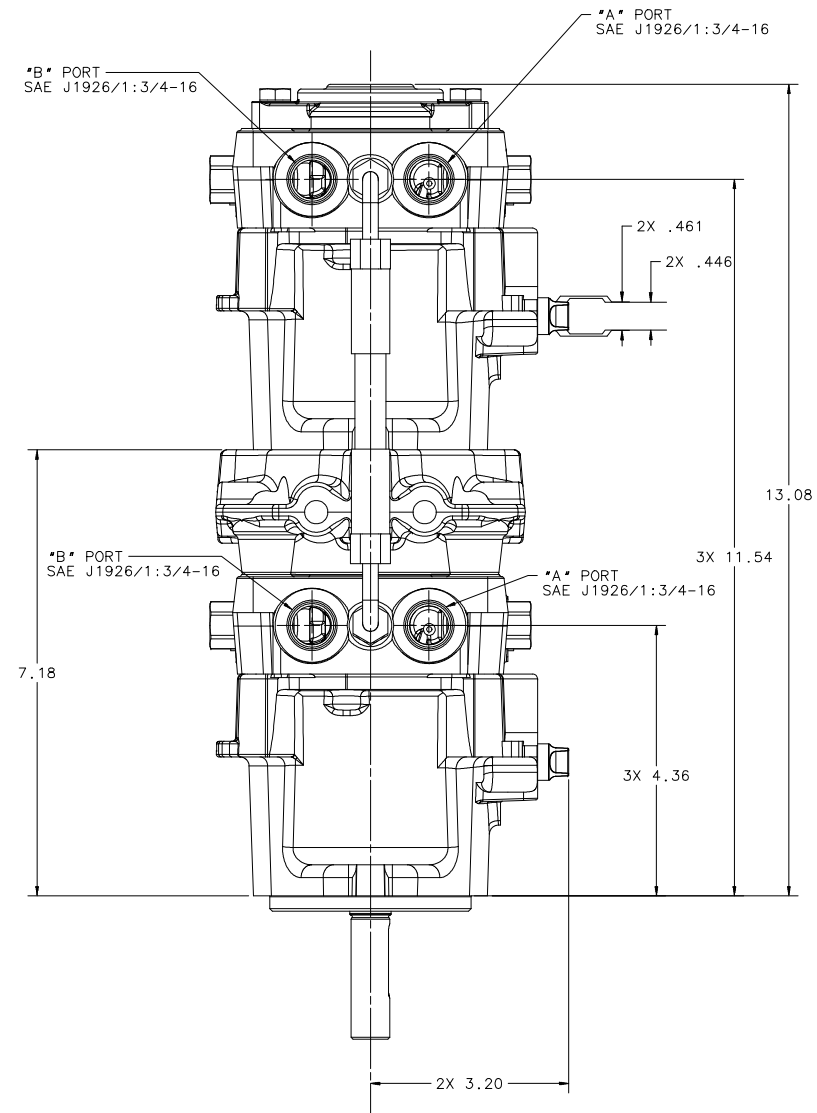


TANDEM PJ
"A" PAD

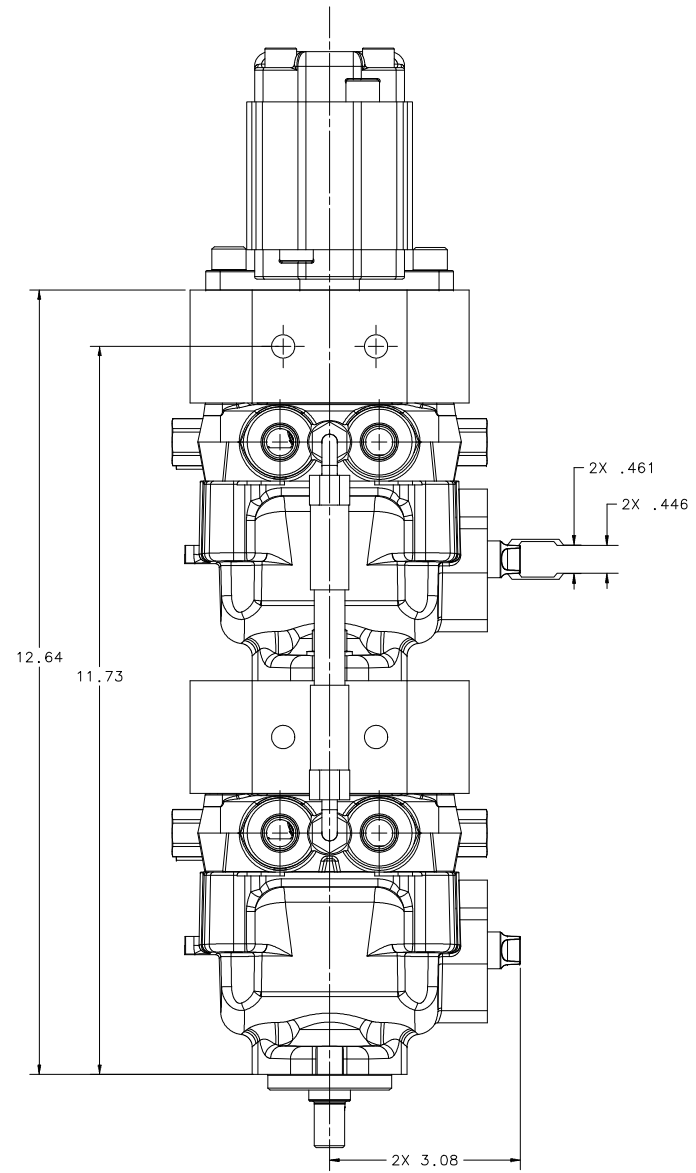
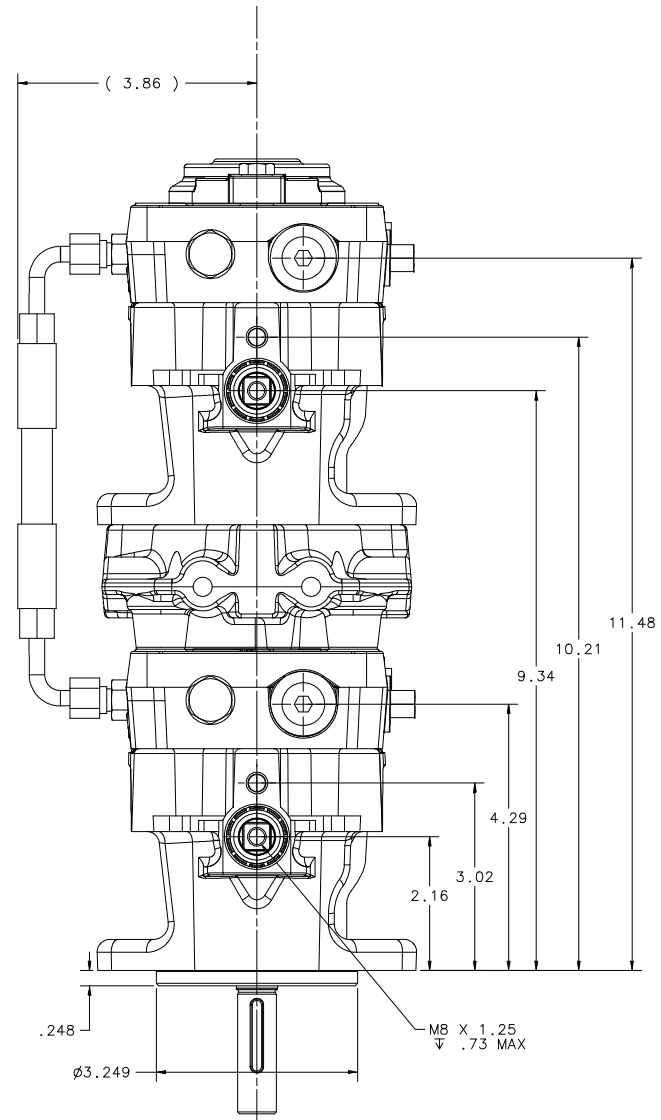
SHEET 7 OF 11

<p>1411 SO. HAMILTON ST. DEERFIELD, IL 60015 PHONE (815) 728-5851</p>	FRAME 6	11-DEAS
	DATE DRAWN	11/02/99
	DRAWN BY	SAD
	SCALE	FULL
NAME TANDEM SERIES PUMP SALES DRAWING	PART NUMBER	70562
	REVISION DATE	07/21/08

NOTICE - THIS DRAWING CONTAINS HYDRO-GEAR PROPRIETARY INFORMATION. NEITHER RECEIPT NOR POSSESSION THEREOF CONFERS ANY RIGHT TO REPRODUCE, USE, OR DISCLOSE, IN WHOLE OR PART, ANY SUCH INFORMATION WITHOUT WRITTEN AUTHORIZATION FROM HYDRO-GEAR. THE SPECIFICATIONS AND PRODUCT PROFILE DEPICTED HEREIN ARE APPROXIMATE REPRESENTATIONS SUBJECT TO CHANGE WITHOUT NOTICE OR OBLIGATION. CONSULT YOUR HYDRO-GEAR REPRESENTATIVE TO OBTAIN THE ENGINEERING INFORMATION APPROPRIATE TO YOUR APPLICATION.

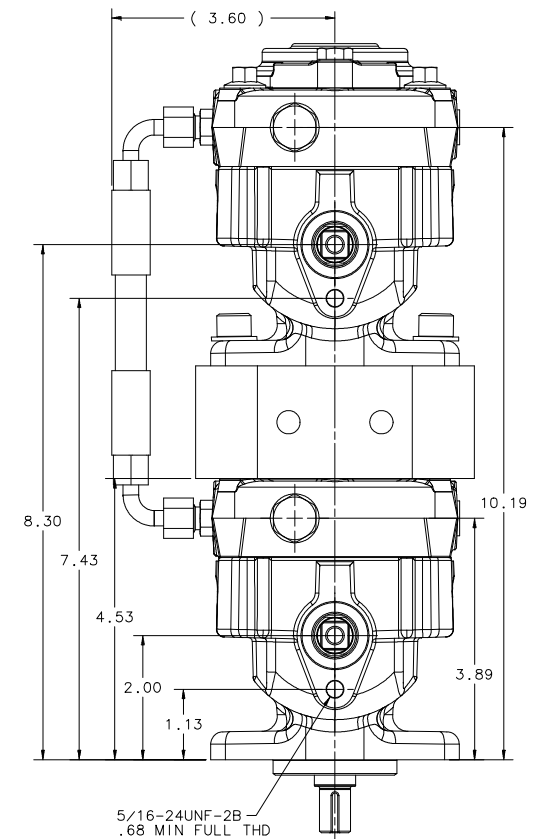
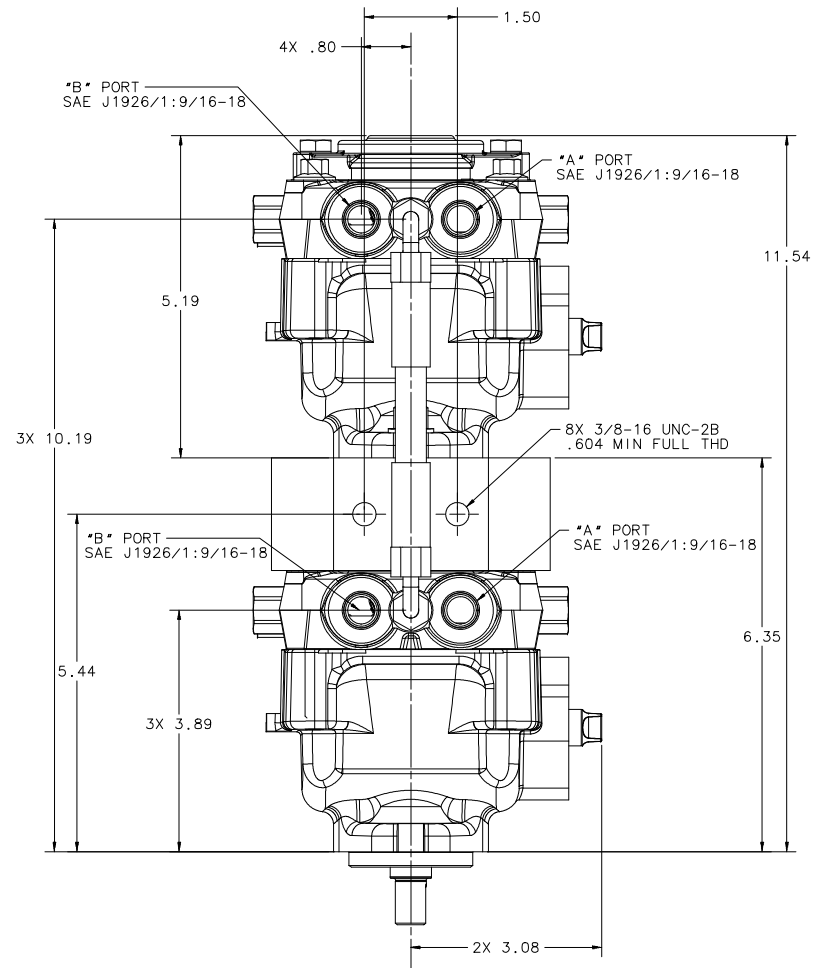
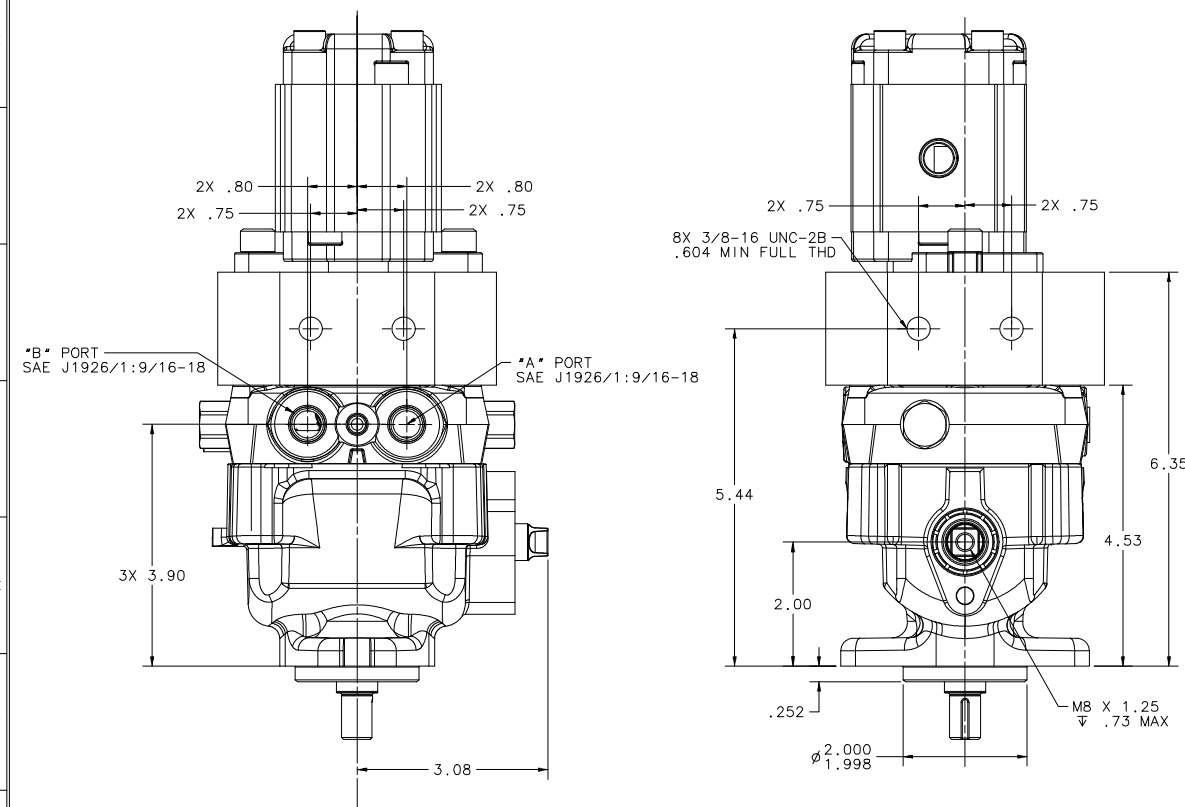
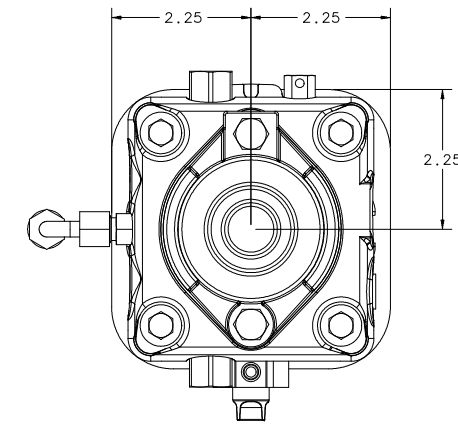
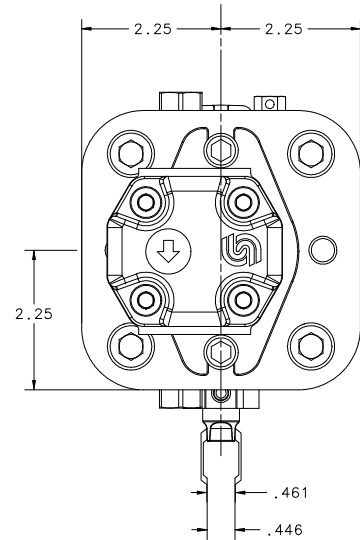


TANDEM PJ WITH CHARGE PUMP



TANDEM PC WITH AA GEAR PUMP

NOTICE - THIS DRAWING CONTAINS HYDRO-GEAR PROPRIETARY INFORMATION. NEITHER RECEIPT NOR POSSESSION THEREOF CONFERS ANY RIGHT TO REPRODUCE, USE, OR DISCLOSE, IN WHOLE OR PART, ANY SUCH INFORMATION WITHOUT WRITTEN AUTHORIZATION FROM HYDRO-GEAR. THE SPECIFICATIONS AND PRODUCT PROFILE DEPICTED HEREIN ARE APPROXIMATE REPRESENTATIONS SUBJECT TO CHANGE WITHOUT NOTICE OR OBLIGATION. CONSULT YOUR HYDRO-GEAR REPRESENTATIVE TO OBTAIN THE ENGINEERING INFORMATION APPROPRIATE TO YOUR APPLICATION.



TANDEM PC
"A-A" PAD

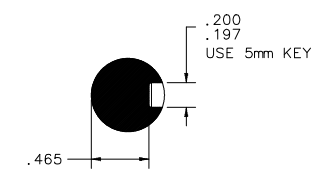
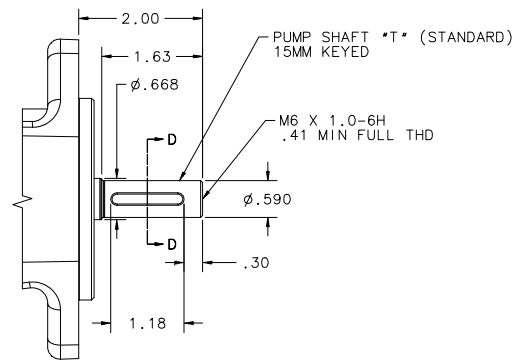
TANDEM PC WITH CHARGE PUMP

SHEET 9 OF 11

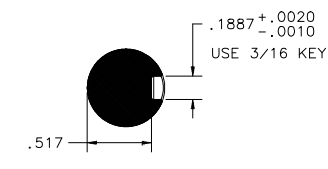
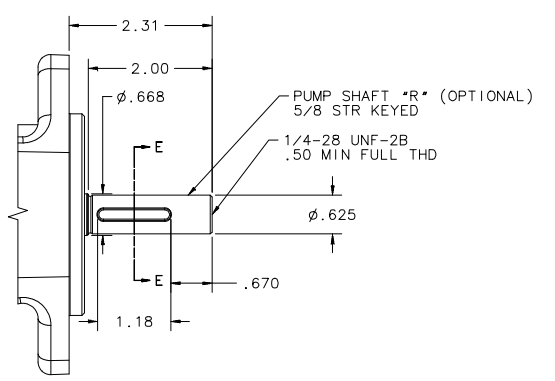
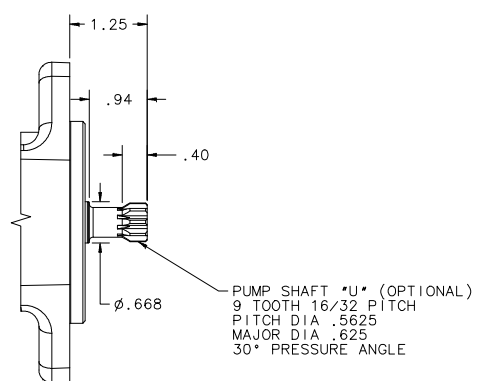
DATE: 11/02/99	DATE: 11/02/99
DRAWN BY: SAG	SCALE: FULL
REVISION DATE: 07/21/08	PART NUMBER: 70562

1411 SO. HAMILTON AVE. MOUNTAIN VIEW, IL 61051
 PHONE: (815) 726-5451
 NAME: TANDEM SERIES PUMP
 SALES DRAWING

NOTICE - THIS DRAWING CONTAINS HYDRO-GEAR PROPRIETARY INFORMATION. NEITHER RECEIPT NOR POSSESSION THEREOF CONFERS ANY RIGHT TO REPRODUCE, USE, OR DISCLOSE, IN WHOLE OR PART, ANY SUCH INFORMATION WITHOUT WRITTEN AUTHORIZATION FROM HYDRO-GEAR. THE SPECIFICATIONS AND PRODUCT PROFILE DEPICTED HEREIN ARE APPROXIMATE REPRESENTATIONS SUBJECT TO CHANGE WITHOUT NOTICE OR OBLIGATION. CONSULT YOUR HYDRO-GEAR REPRESENTATIVE TO OBTAIN THE ENGINEERING INFORMATION APPROPRIATE TO YOUR APPLICATION.

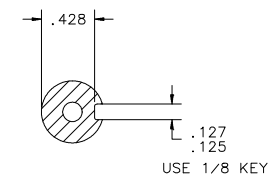
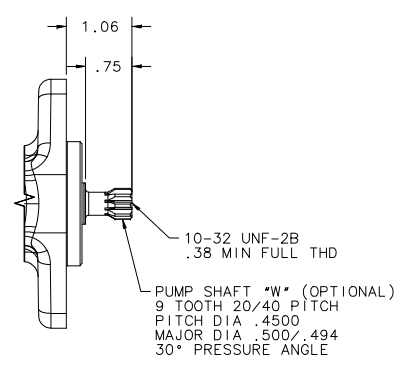
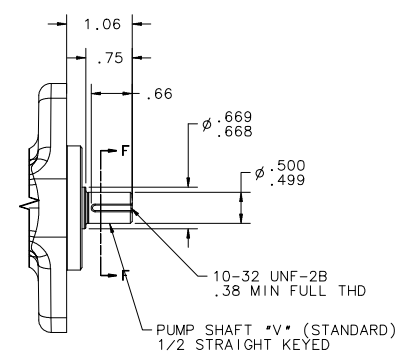


SECTION D-D
SCALE 2:1



SECTION E-E
SCALE 2:1

TANDEM PJ SHAFTS



SECTION F-F
SCALE 2:1

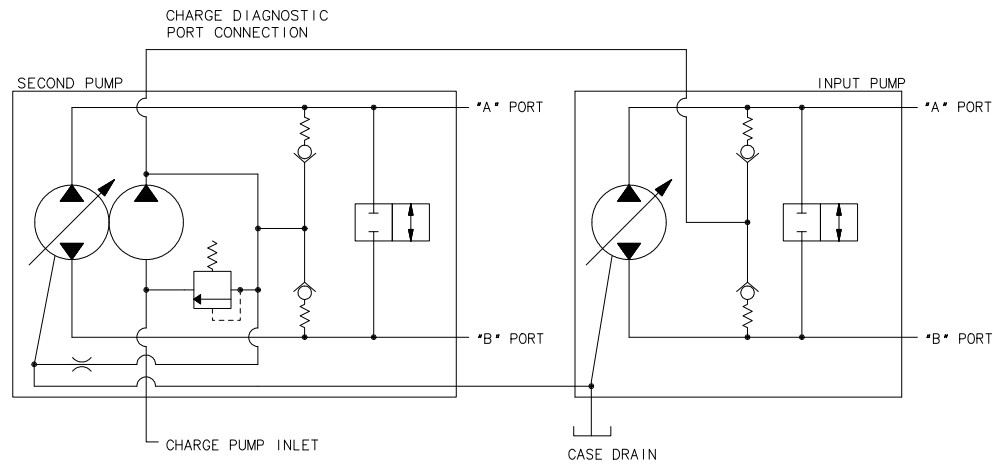
TANDEM PC SHAFTS

SYSTEM CHECK & RELIEF VALVE OPTIONS:

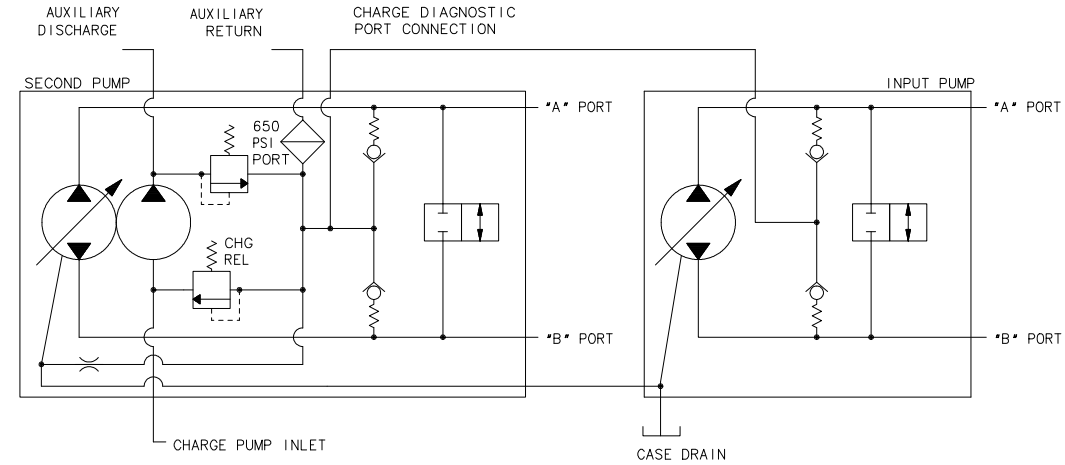
ORIFICE	RELIEF
NO BLEED	CHECK
.024 BLEED	1760 PSI
.031 BLEED	2320 PSI
.044 BLEED*	2900 PSI

* IF THE .044 BLEED IS USED ON BOTH SIDES, ONLY THE 0.19 GEROTOR MAY BE USED.

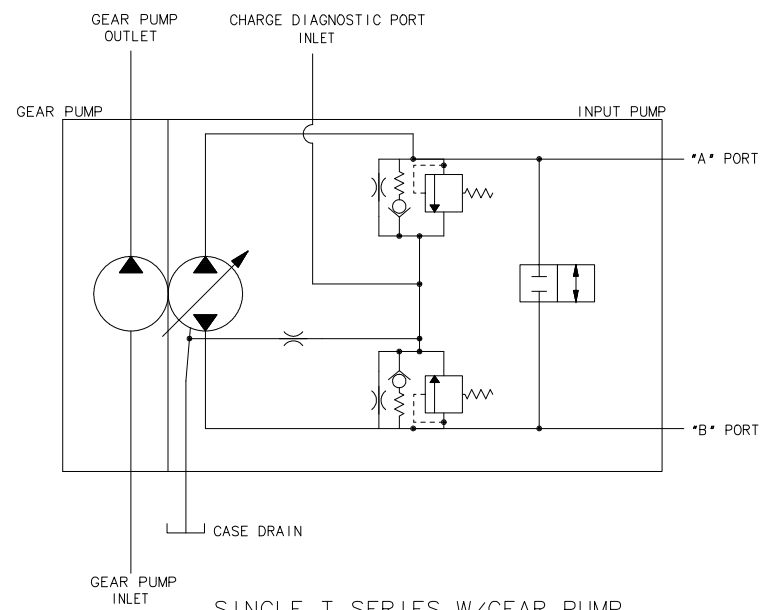
BYPASS VALVE BLEED OPTIONS:
 1) NO BLEED ORIFICE
 2) .031 BLEED ORIFICE



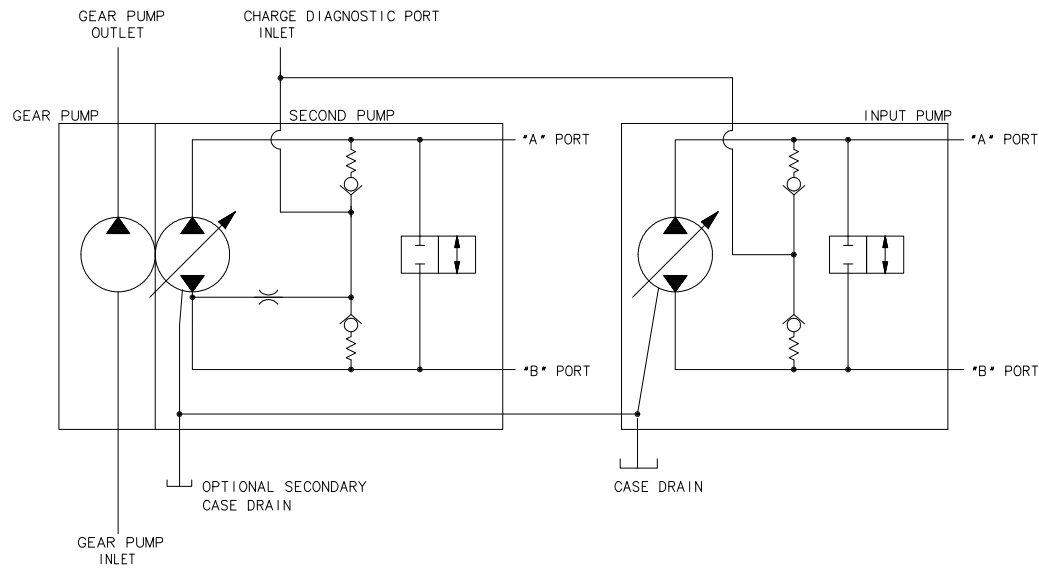
STANDARD TANDEM



TANDEM WITH AUXILIARY CHARGE PUMP



SINGLE T SERIES W/GEAR PUMP



TANDEM W/GEAR PUMP