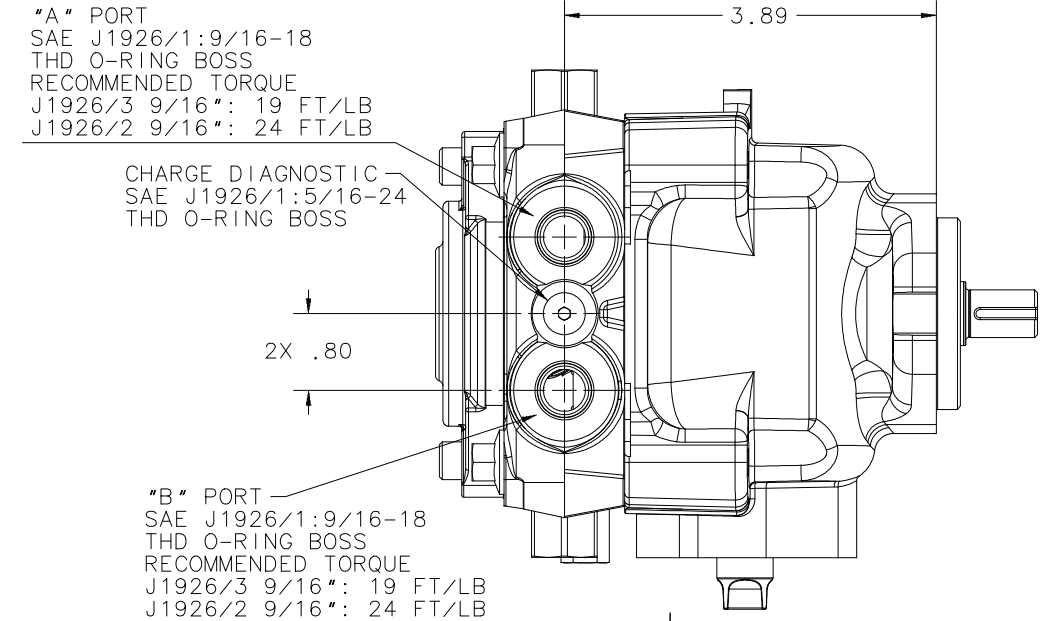
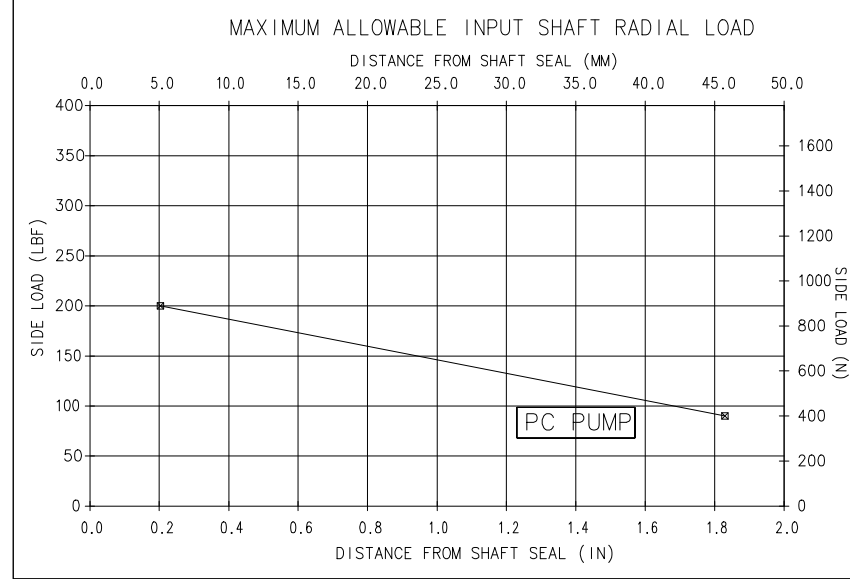
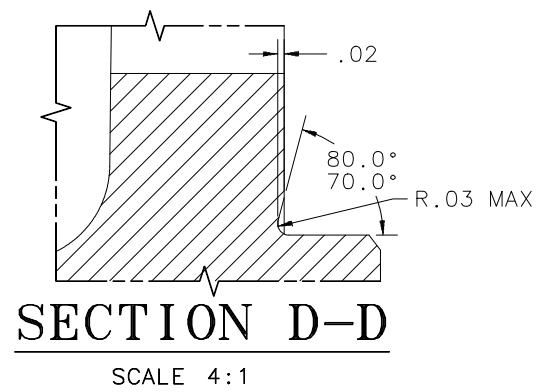
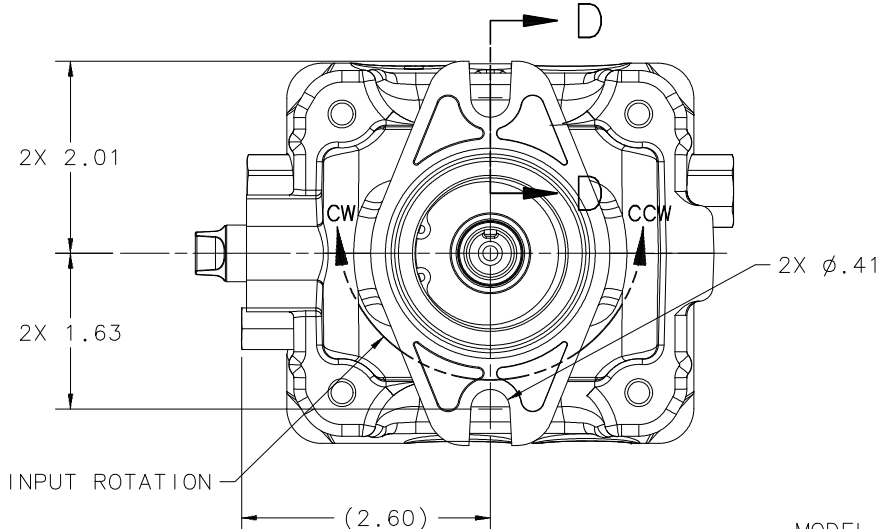
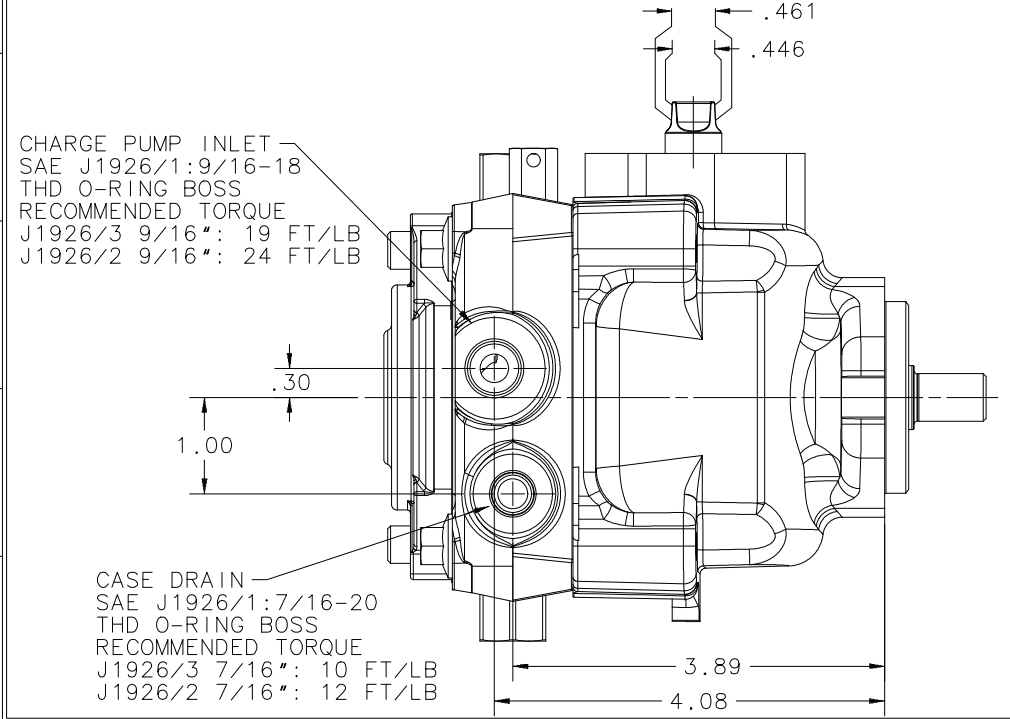
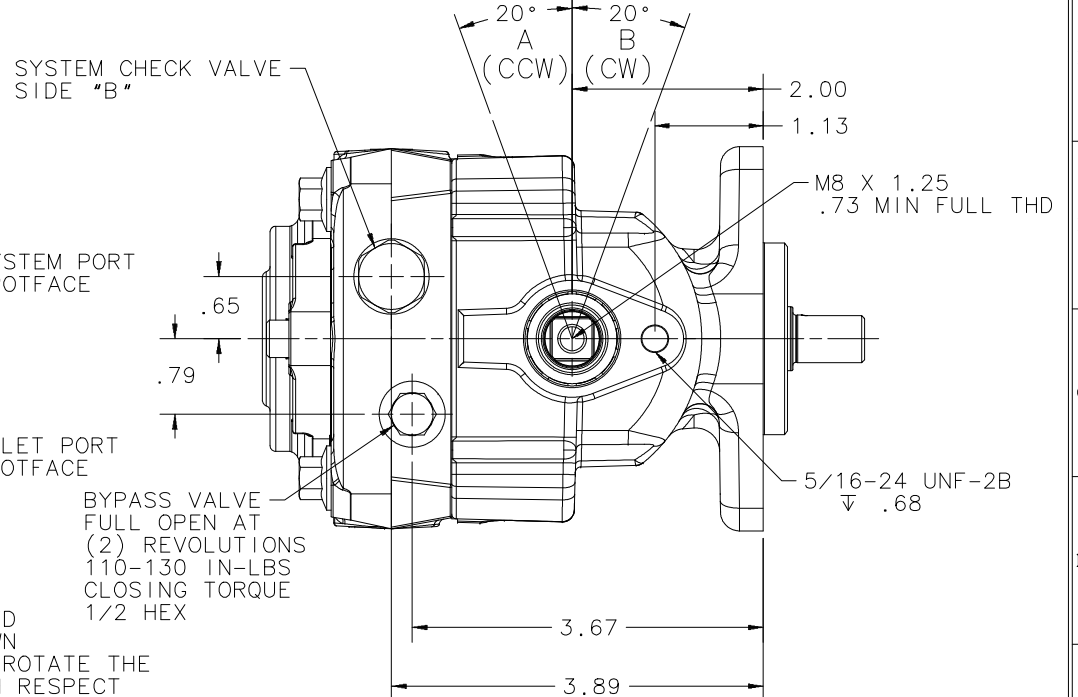
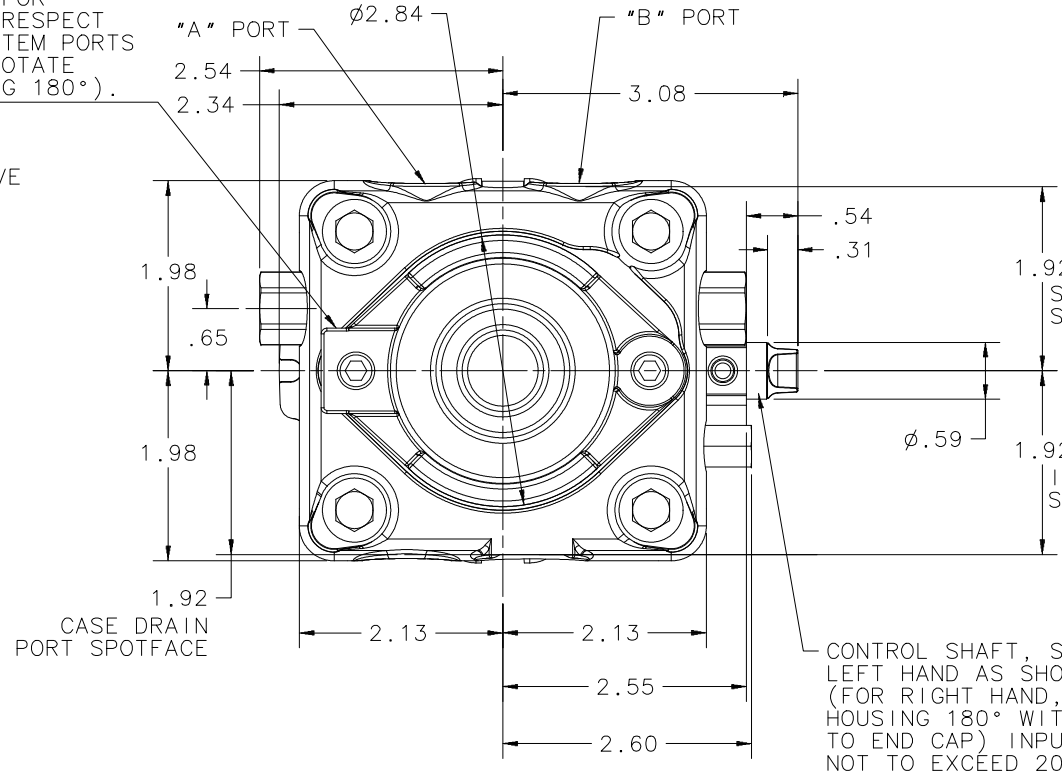
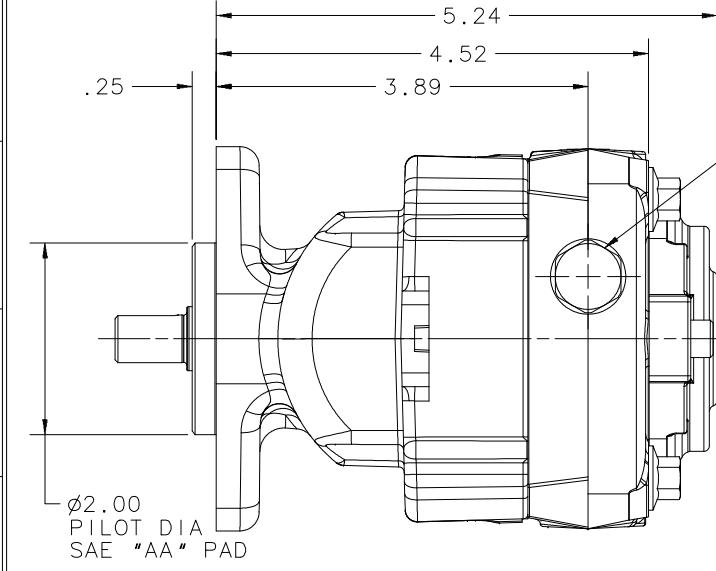


NOTICE - THIS DRAWING CONTAINS HYDRO-GEAR PROPRIETARY INFORMATION. NEITHER RECEIPT NOR POSSESSION THEREOF CONFERS ANY RIGHT TO REPRODUCE, USE, OR DISCLOSE, IN WHOLE OR PART, ANY SUCH INFORMATION WITHOUT WRITTEN AUTHORIZATION FROM HYDRO-GEAR. THE SPECIFICATIONS AND PRODUCT PROFILE DEPICTED HEREIN ARE APPROXIMATE REPRESENTATIONS SUBJECT TO CHANGE WITHOUT NOTICE OR OBLIGATION. CONSULT YOUR HYDRO-GEAR REPRESENTATIVE TO OBTAIN THE ENGINEERING INFORMATION APPROPRIATE TO YOUR APPLICATION.

CONTROL SHAFT SIDE	LEFT HAND				RIGHT HAND			
INPUT SHAFT ROTATION	CW		CCW		CW		CCW	
CONTROL SHAFT ROTATION (DIRECTION)	A (CCW)	B (CW)	A (CCW)	B (CW)	A (CCW)	B (CW)	A (CCW)	B (CW)
SYSTEM PORT A FLOW	IN	OUT	OUT	IN	OUT	IN	IN	OUT
SYSTEM PORT B FLOW	OUT	IN	IN	OUT	IN	OUT	OUT	IN



CHARGE COVER "A" NOTED FEATURE OF CHARGE PUMP HOUSING MUST BE ORIENTED AS SHOWN FOR CCW ROTATION WITH RESPECT TO THE END CAP SYSTEM PORTS (FOR CW ROTATION ROTATE CHARGE PUMP HOUSING 180°).



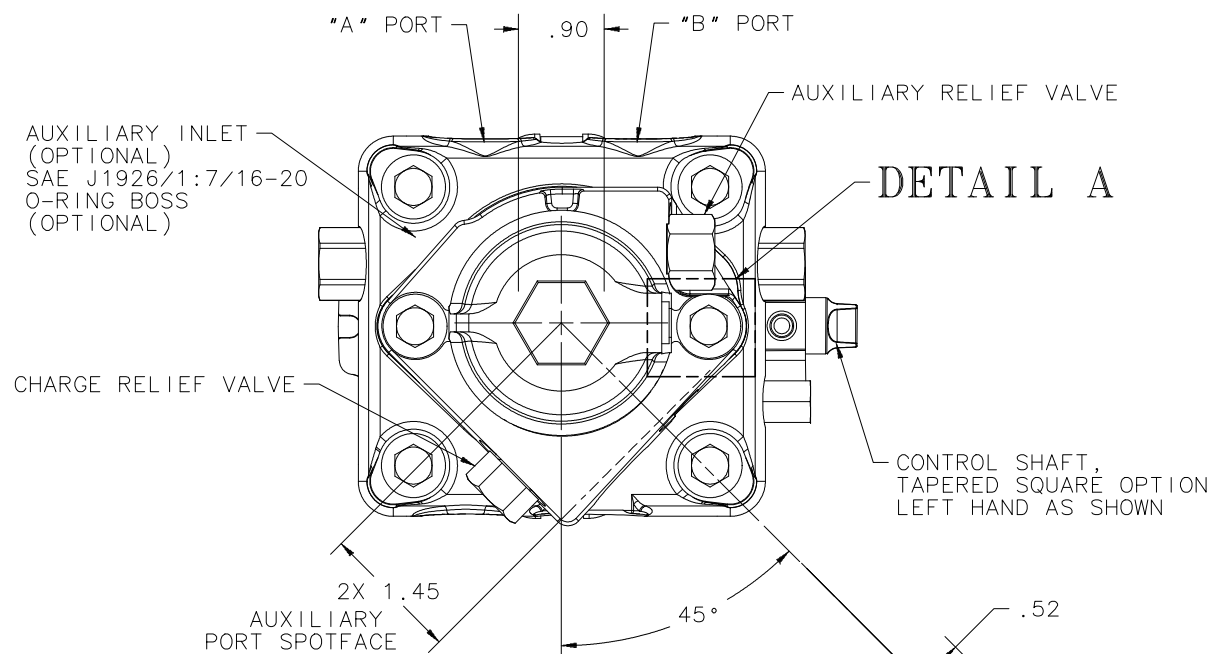
SHEET 1 OF 4

1411 S. HAMILTON ST. SULLIVAN, IL 61951 PHONE (217) 728-2581

FRAME D	I-DEAS
DATE DRAWN	04/20/04
DRAWN BY	TB
SCALE	FULL
REVISION DATE	01/25/12
PART NUMBER	71151

NAME PC, 6cc PUMP-VARIABLE DISPLACEMENT SALES DWG

NOTICE - THIS DRAWING CONTAINS HYDRO-GEAR PROPRIETARY INFORMATION. NEITHER RECEIPT NOR POSSESSION THEREOF CONFERS ANY RIGHT TO REPRODUCE, USE, OR DISCLOSE, IN WHOLE OR PART, ANY SUCH INFORMATION WITHOUT WRITTEN AUTHORIZATION FROM HYDRO-GEAR. THE SPECIFICATIONS AND PRODUCT PROFILE DEPICTED HEREIN ARE APPROXIMATE REPRESENTATIONS SUBJECT TO CHANGE WITHOUT NOTICE OR OBLIGATION. CONSULT YOUR HYDRO-GEAR REPRESENTATIVE TO OBTAIN THE ENGINEERING INFORMATION APPROPRIATE TO YOUR APPLICATION.

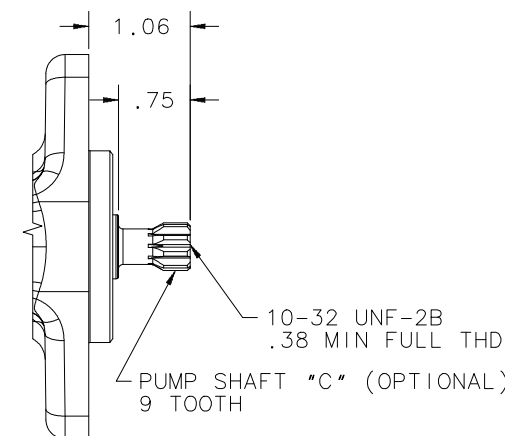
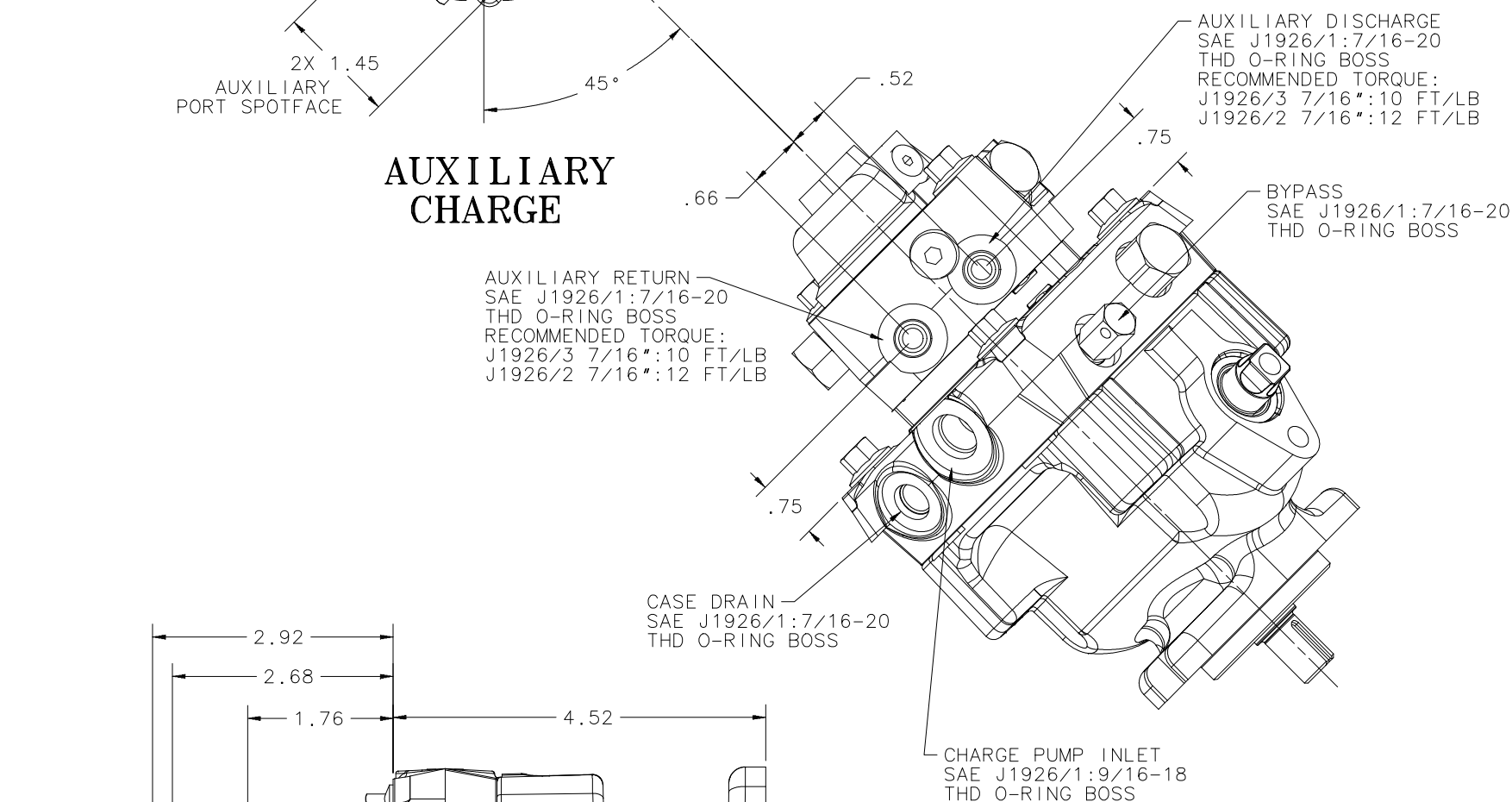
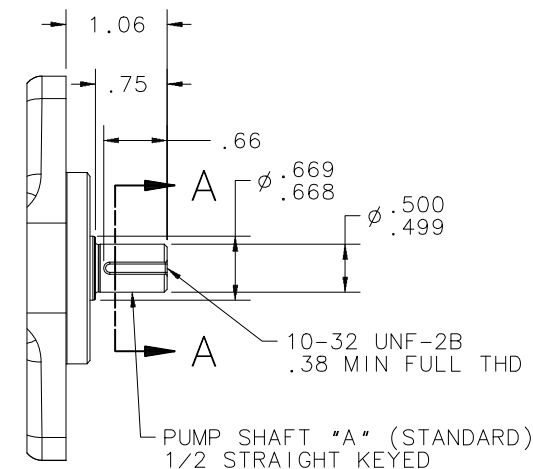


AUXILIARY CHARGE

DETAIL A

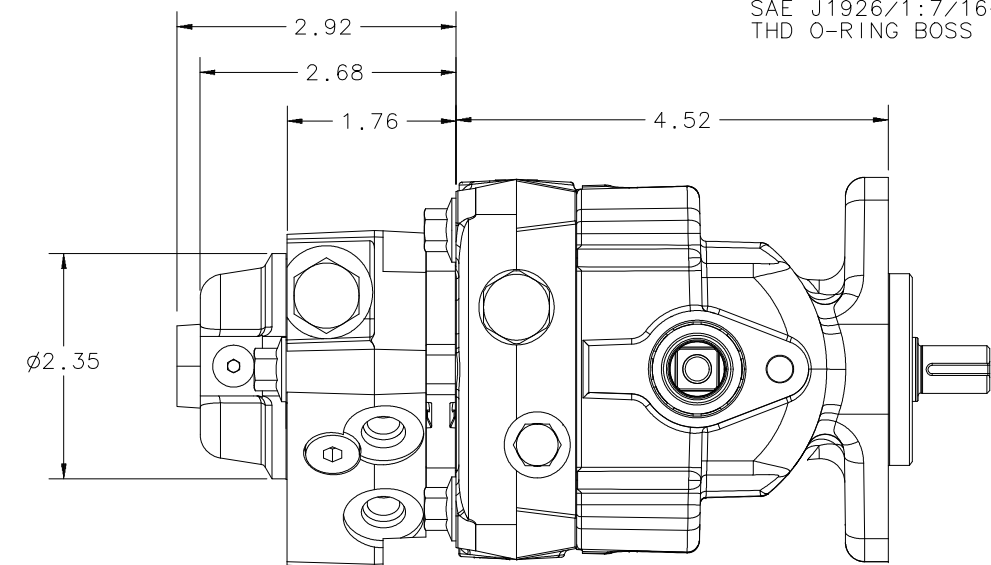
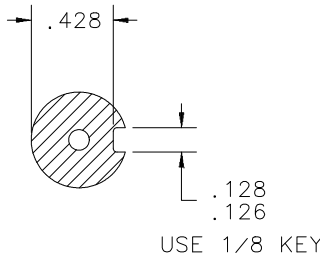
SCALE 2:1

IDENTIFICATION FLAT OF GEROTOR HOUSING (SIDE "A" FOR CCW ROTATION, SIDE "B" FOR CW ROTATION. IF AUXILIARY ROTATED 180° GEROTOR HOUSING MUST ALSO BE ROTATED 180° AND AUX INLET MUST BE USED)

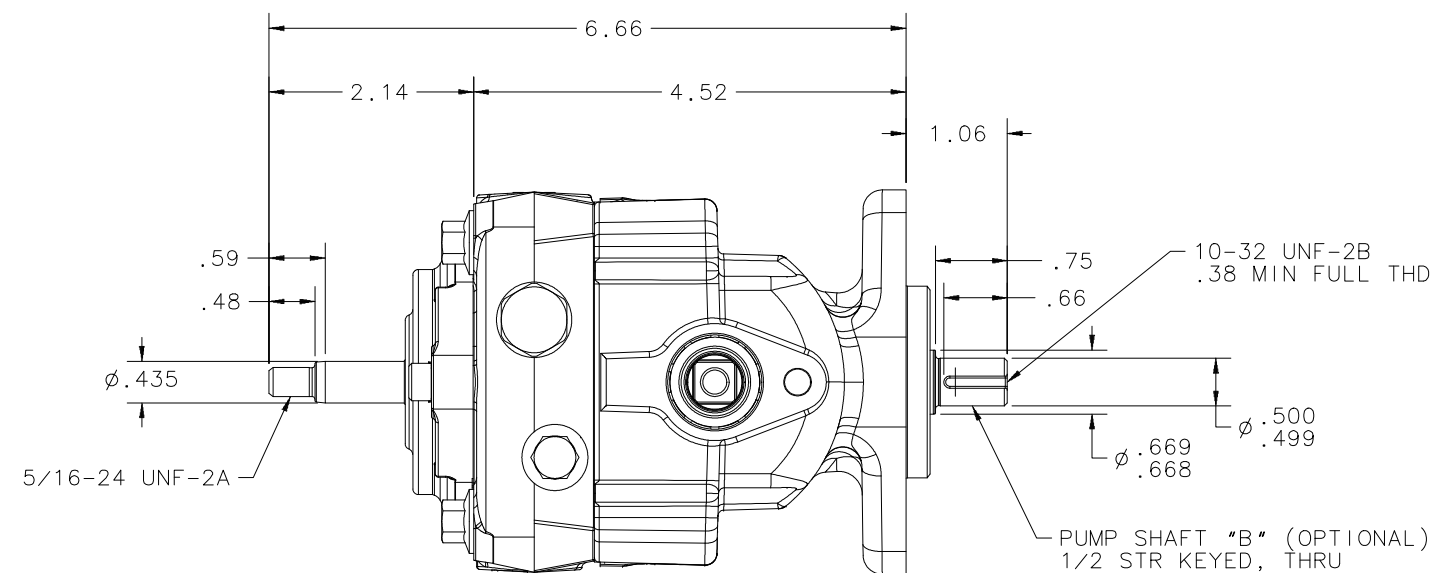


SECTION A-A

SCALE 2:1



AUXILIARY CHARGE



SHEET 2 OF 4



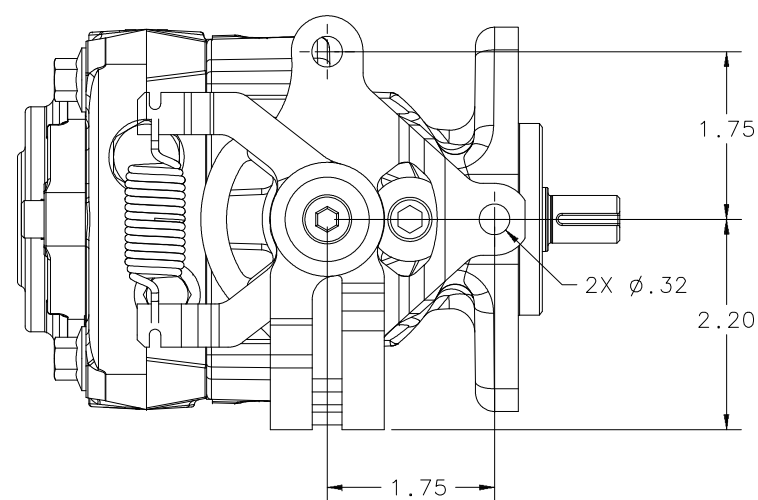
1411 S. HAMILTON ST. SULLIVAN, IL 61951 PHONE (217) 728-2581
 NAME PC, 6cc PUMP-VARIABLE DISPLACEMENT SALES DWG

FRAME D	I-DEAS
DATE DRAWN	04/20/04
DRAWN BY	TB
SCALE	FULL
REVISION DATE	01/25/12
PART NUMBER	71151

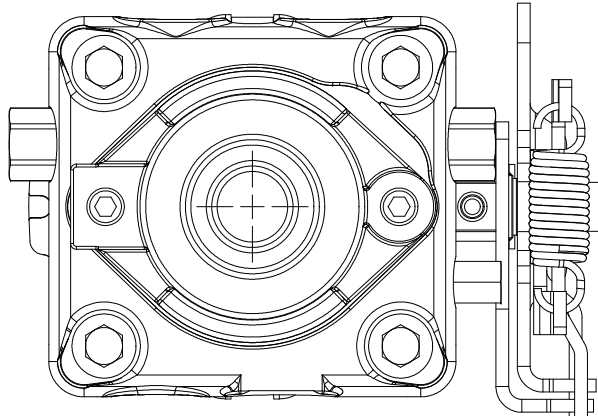
MODEL NUMBER CONFIGURATION GUIDE 71148.XLS

REV. DATE 12-04-08

NOTICE - THIS DRAWING CONTAINS HYDRO-GEAR PROPRIETARY INFORMATION. NEITHER RECEIPT NOR POSSESSION THEREOF CONFERS ANY RIGHT TO REPRODUCE, USE, OR DISCLOSE, IN WHOLE OR PART, ANY SUCH INFORMATION WITHOUT WRITTEN AUTHORIZATION FROM HYDRO-GEAR. THE SPECIFICATIONS AND PRODUCT PROFILE DEPICTED HEREIN ARE APPROXIMATE REPRESENTATIONS SUBJECT TO CHANGE WITHOUT NOTICE OR OBLIGATION. CONSULT YOUR HYDRO-GEAR REPRESENTATIVE TO OBTAIN THE ENGINEERING INFORMATION APPROPRIATE TO YOUR APPLICATION.

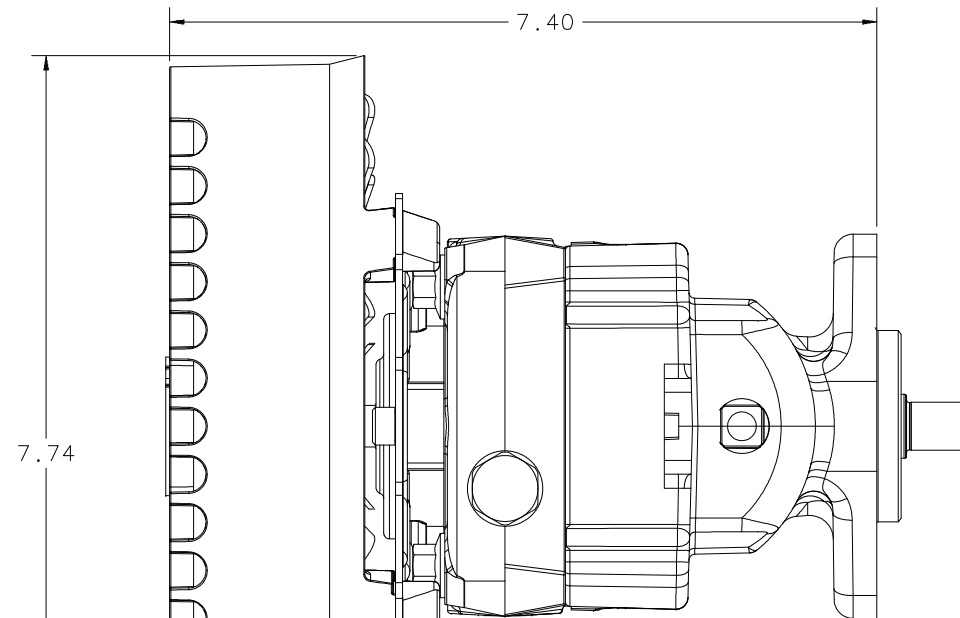


STD RETURN TO NEUTRAL

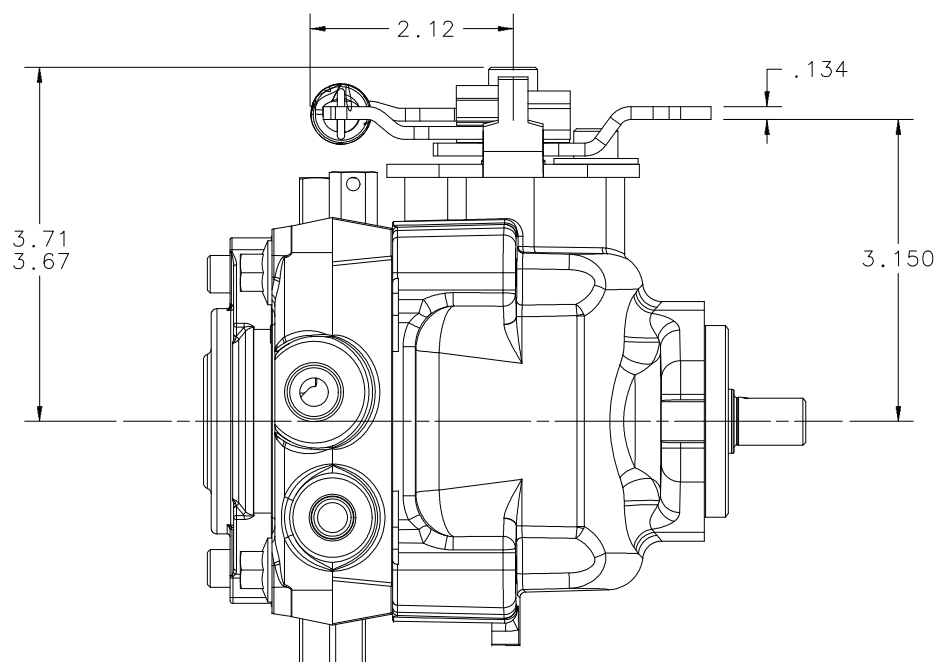


SAME CONTROL ARM ORIENTATION SHOWN THROUGHOUT

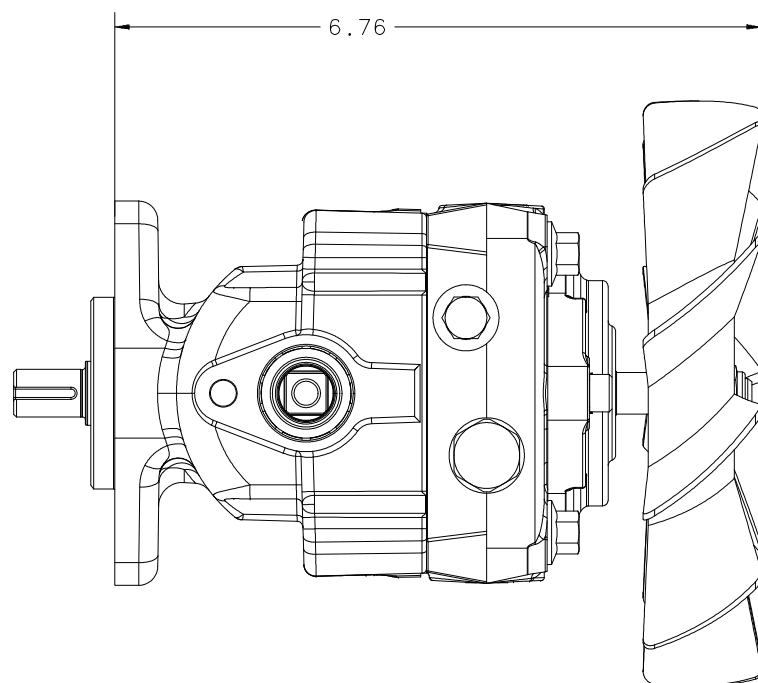
ALL: (OPTIONAL ORIENTATION) CONTROL ARM MAY BE ROTATED 180° WITH RESPECT TO TRUNNION SHAFT



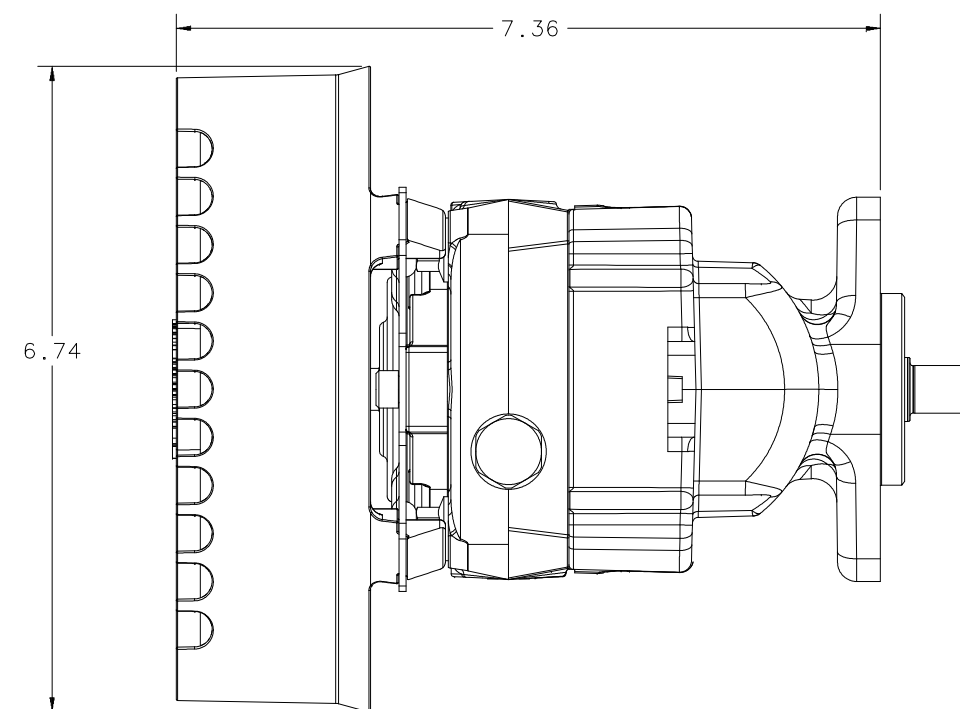
THRU CHARGE WITH ø7" FAN (51601, CW INPUT, 52354 SHROUD)



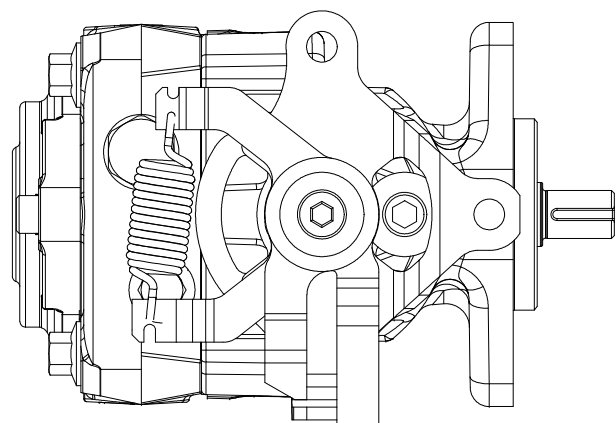
CW RETURN TO NEUTRAL



THRU CHARGE WITH ø6" FAN (52014, CW INPUT)



THRU CHARGE WITH ø6" FAN (52014, CW INPUT, 52059 SHROUD)



CCW RETURN TO NEUTRAL

SHEET 3 OF 4

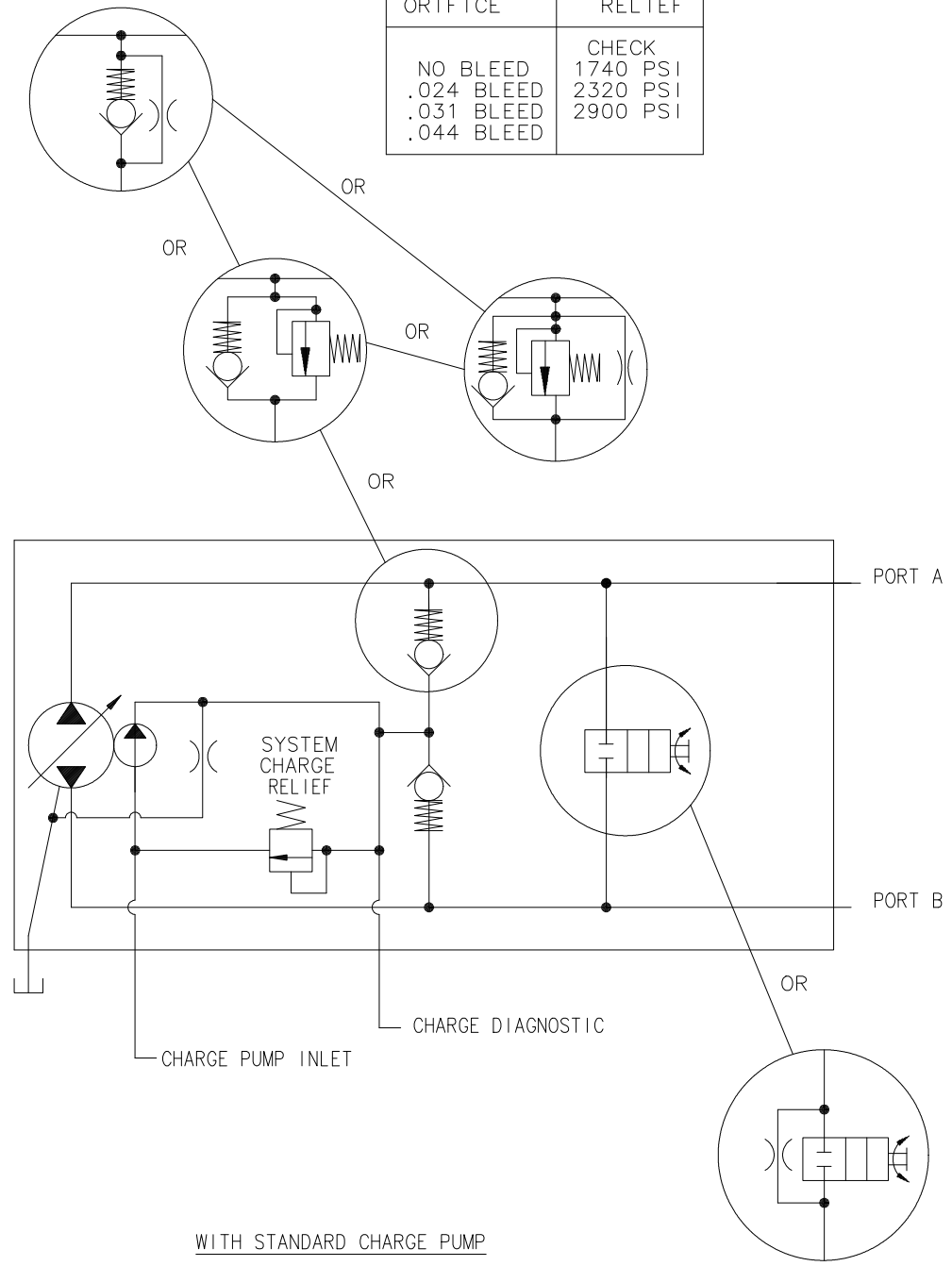
HYDRO-GEAR
 1411 S. HAMILTON ST. SULLIVAN, IL 61951 PHONE (217) 728-2581
 NAME PC, 6cc PUMP-VARIABLE DISPLACEMENT SALES DWG
 PART NUMBER 71151

FRAME D	I-DEAS
DATE DRAWN	04/20/04
DRAWN BY	TB
SCALE	FULL
REVISION DATE	01/25/12
PART NUMBER	71151
CHG	(P11)

NOTICE - THIS DRAWING CONTAINS HYDRO-GEAR PROPRIETARY INFORMATION. NEITHER RECEIPT NOR POSSESSION THEREOF CONFERS ANY RIGHT TO REPRODUCE, USE, OR DISCLOSE, IN WHOLE OR PART, ANY SUCH INFORMATION WITHOUT WRITTEN AUTHORIZATION FROM HYDRO-GEAR. THE SPECIFICATIONS AND PRODUCT PROFILE DEPICTED HEREIN ARE APPROXIMATE REPRESENTATIONS SUBJECT TO CHANGE WITHOUT NOTICE OR OBLIGATION. CONSULT YOUR HYDRO-GEAR REPRESENTATIVE TO OBTAIN THE ENGINEERING INFORMATION APPROPRIATE TO YOUR APPLICATION.

SYSTEM CHECK & RELIEF VALVE OPTIONS:

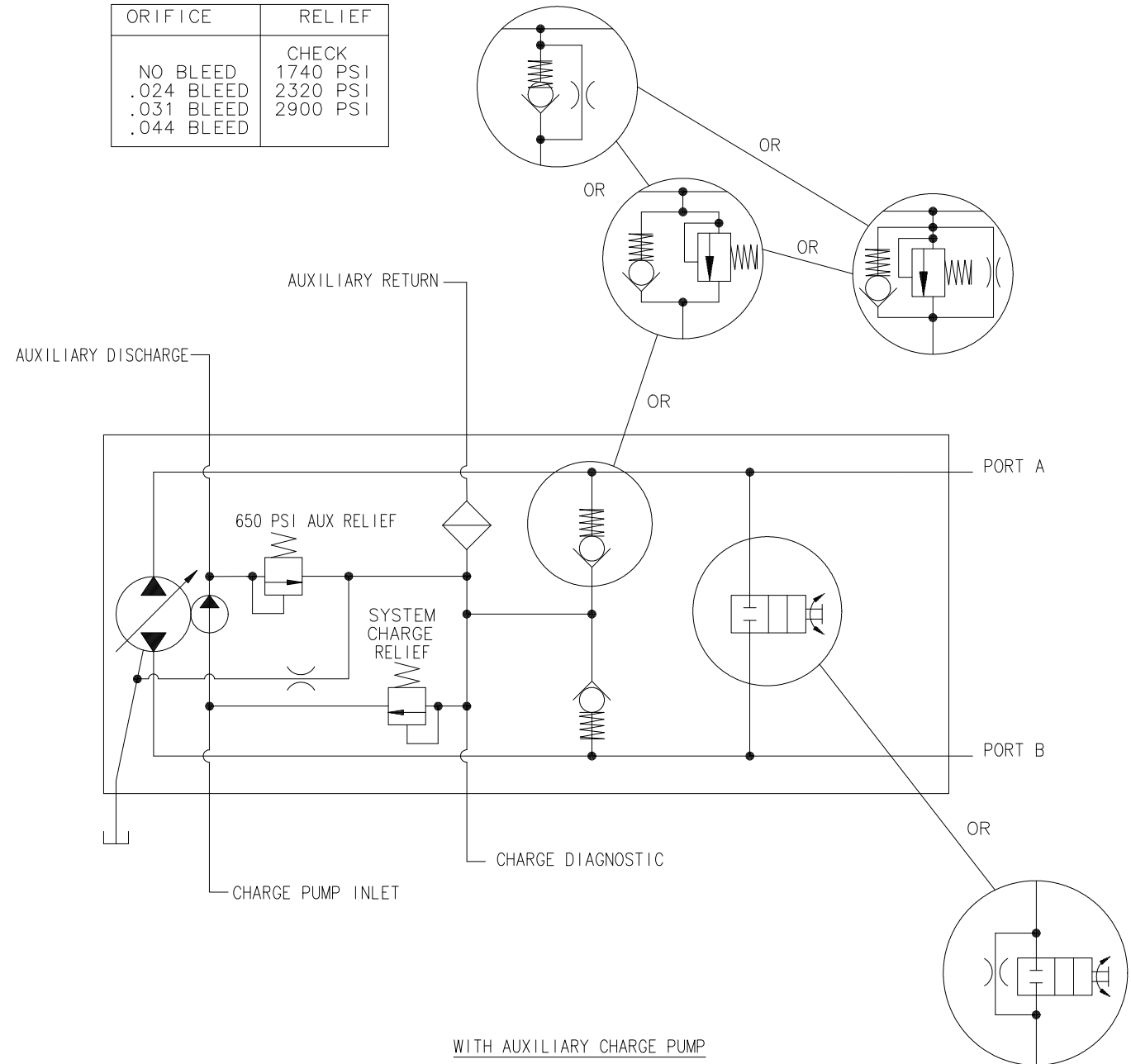
ORIFICE	RELIEF
NO BLEED	CHECK
.024 BLEED	1740 PSI
.031 BLEED	2320 PSI
.044 BLEED	2900 PSI



BYPASS VALVE BLEED OPTIONS:
1) NO BLEED ORIFICE

SYSTEM CHECK & RELIEF VALVE OPTIONS:

ORIFICE	RELIEF
NO BLEED	CHECK
.024 BLEED	1740 PSI
.031 BLEED	2320 PSI
.044 BLEED	2900 PSI



BYPASS VALVE BLEED OPTIONS:
1) NO BLEED ORIFICE
2) .031" BLEED ORIFICE

HYDRO-GEAR
 1411 S. HAMILTON ST. SULLIVAN, IL 61951 PHONE (217) 728-2581
 NAME PC, 6cc PUMP-VARIABLE DISPLACEMENT SALES DWG
 PART NUMBER 71151

FRAME D	I-DEAS
DATE DRAWN	04/20/04
DRAWN BY	TB
SCALE	FULL
REVISION DATE	01/25/12
CHG	(P11)