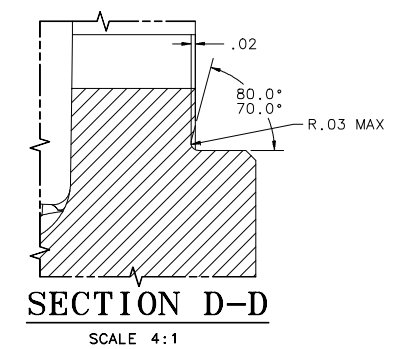
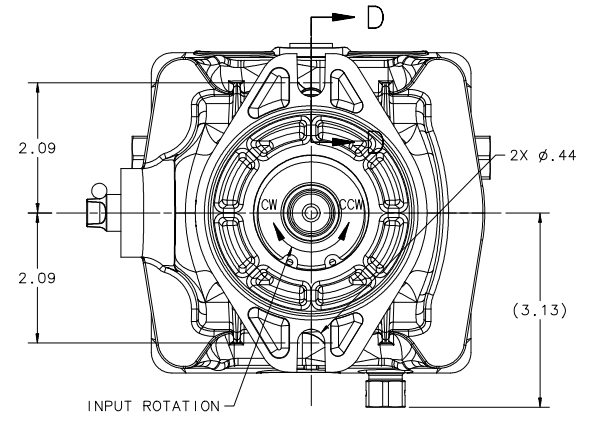
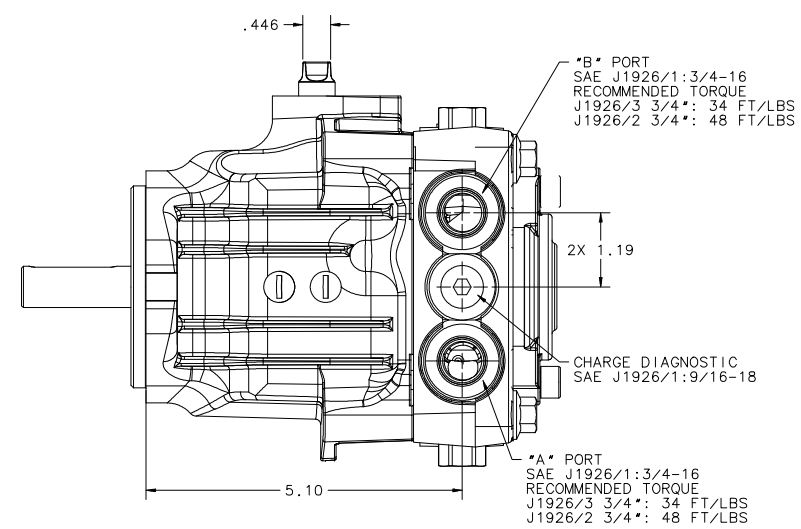
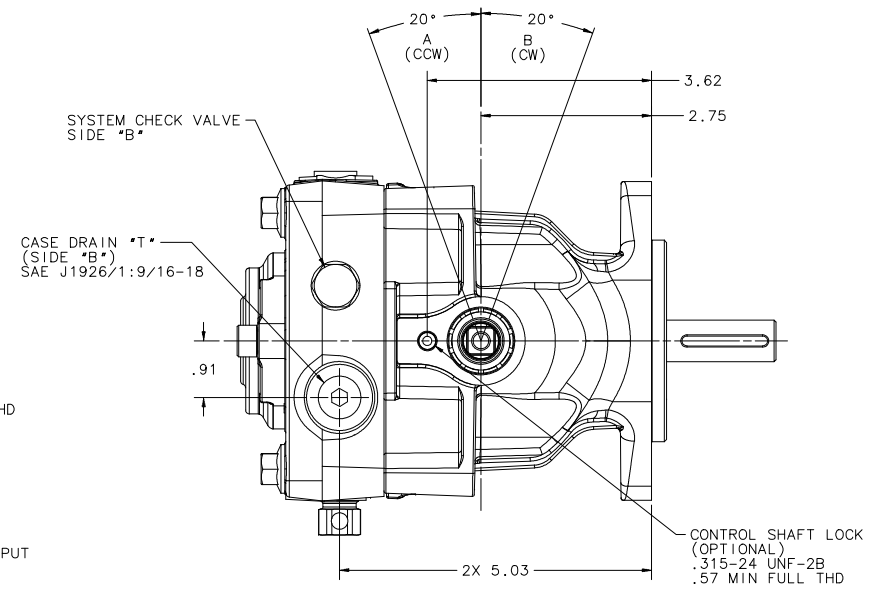
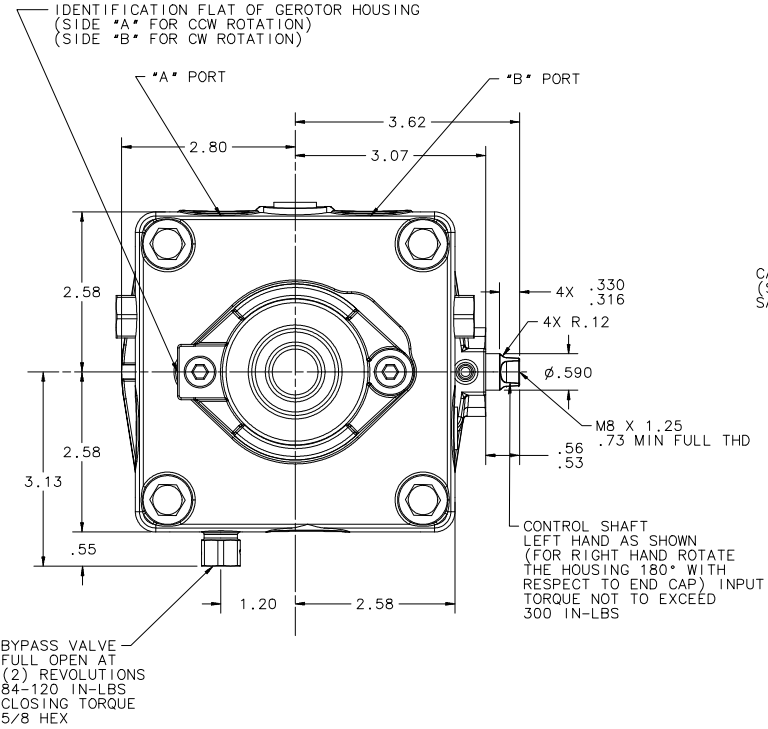
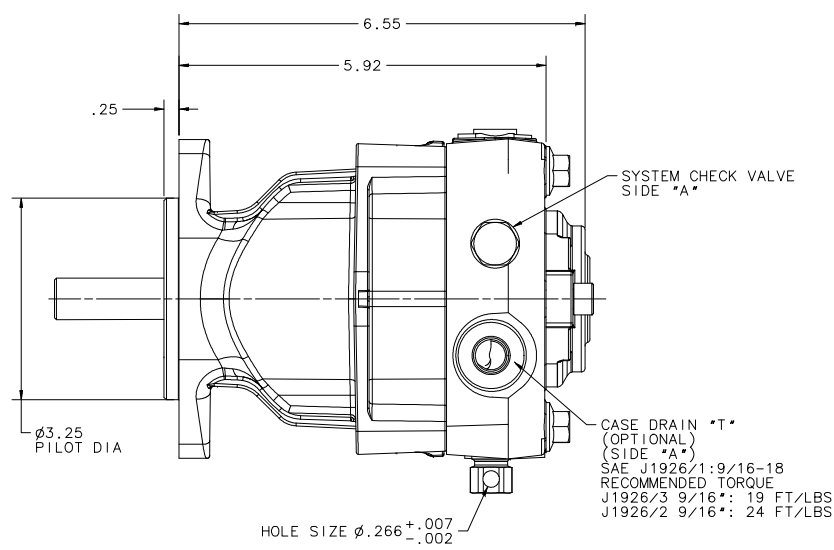
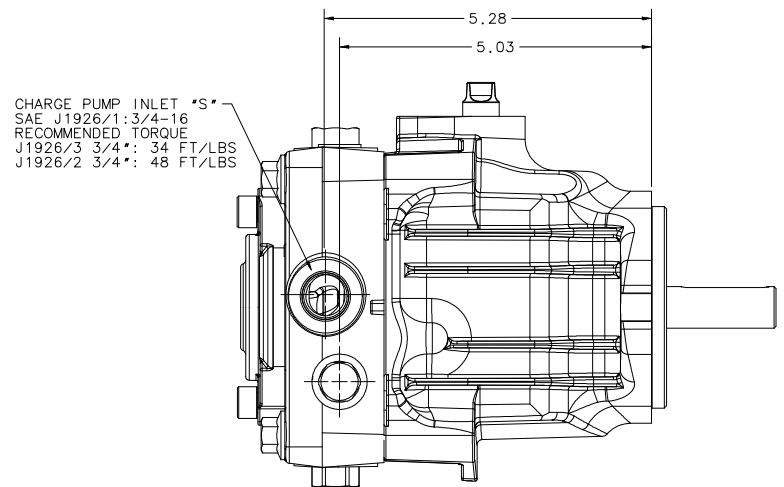
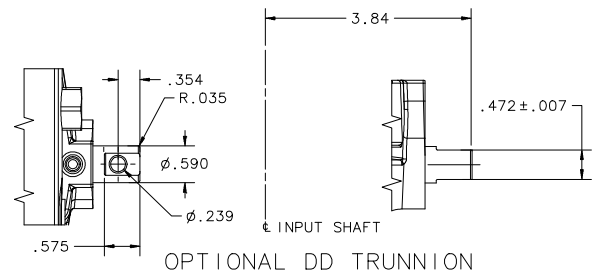
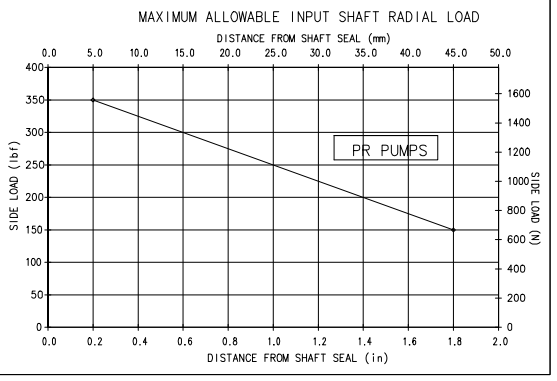


NOTICE - THIS DRAWING CONTAINS HYDRO-GEAR PROPRIETARY INFORMATION. NEITHER RECEIPT NOR POSSESSION THEREOF CONFERS ANY RIGHT TO REPRODUCE, USE, OR DISCLOSE, IN WHOLE OR PART, ANY SUCH INFORMATION WITHOUT WRITTEN AUTHORIZATION FROM HYDRO-GEAR. THE SPECIFICATIONS AND PRODUCT PROFILE DEPICTED HEREIN ARE APPROXIMATE REPRESENTATIONS SUBJECT TO CHANGE WITHOUT NOTICE OR OBLIGATION. CONSULT YOUR HYDRO-GEAR REPRESENTATIVE TO OBTAIN THE ENGINEERING INFORMATION APPROPRIATE TO YOUR APPLICATION.

MODEL NO CONFIGURATION GUIDE: 70975.XLS

CONTROL SHAFT SIDE INPUT SHAFT ROTATION	LEFT HAND CW		RIGHT HAND CCW	
	A (CCW)	B (CW)	A (CCW)	B (CW)
CONTROL SHAFT ROTATION (DIRECTION)	A (CCW)	B (CW)	A (CCW)	B (CW)
SYSTEM PORT A FLOW	IN	OUT	IN	OUT
SYSTEM PORT B FLOW	OUT	IN	IN	OUT



MODEL NUMBER CONFIGURATION GUIDE 70975.XLS

SHEET 1 OF 5

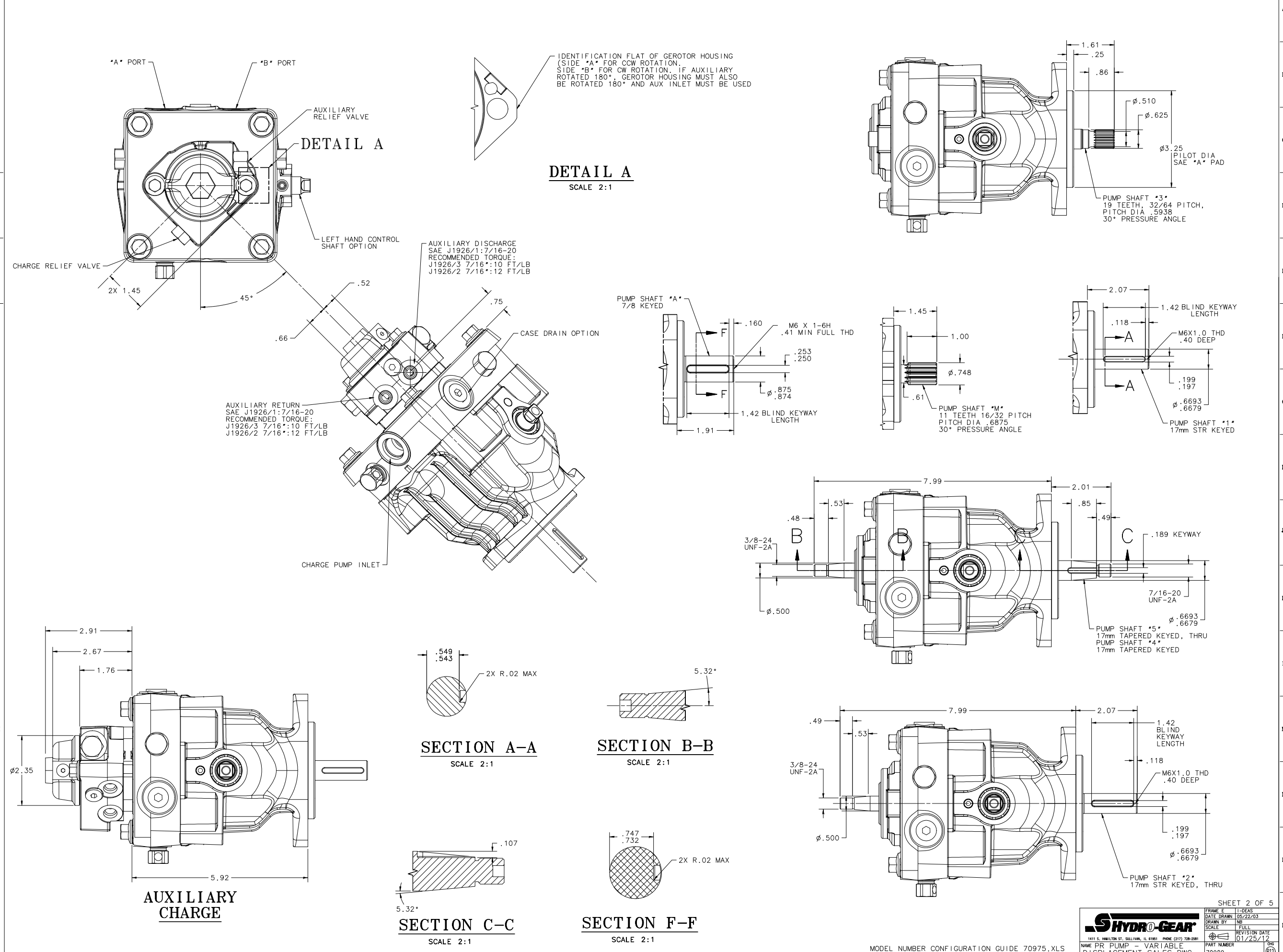
HYDRO-GEAR

1411 S. HAMILTON ST. SULLIVAN, IL 61951 PHONE (217) 728-2581

DATE DRAWN	05/22/03
DRAWN BY	MB
SCALE	FULL
REVISION DATE	01/25/12

NAME PR PUMP - VARIABLE DISPLACEMENT SALES DWG PART NUMBER 70989

NOTICE - THIS DRAWING CONTAINS HYDRO-GEAR PROPRIETARY INFORMATION. NEITHER RECEIPT NOR POSSESSION THEREOF CONFERS ANY RIGHT TO REPRODUCE, USE, OR DISCLOSE, IN WHOLE OR PART, ANY SUCH INFORMATION WITHOUT WRITTEN AUTHORIZATION FROM HYDRO-GEAR. THE SPECIFICATIONS AND PRODUCT PROFILE DEPICTED HEREIN ARE APPROXIMATE REPRESENTATIONS SUBJECT TO CHANGE WITHOUT NOTICE OR OBLIGATION. CONSULT YOUR HYDRO-GEAR REPRESENTATIVE TO OBTAIN THE ENGINEERING INFORMATION APPROPRIATE TO YOUR APPLICATION.

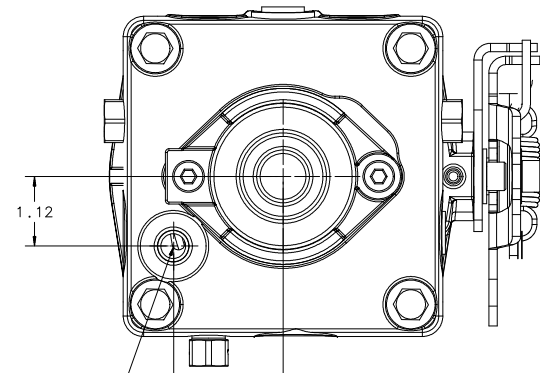


SHEET 2 OF 5

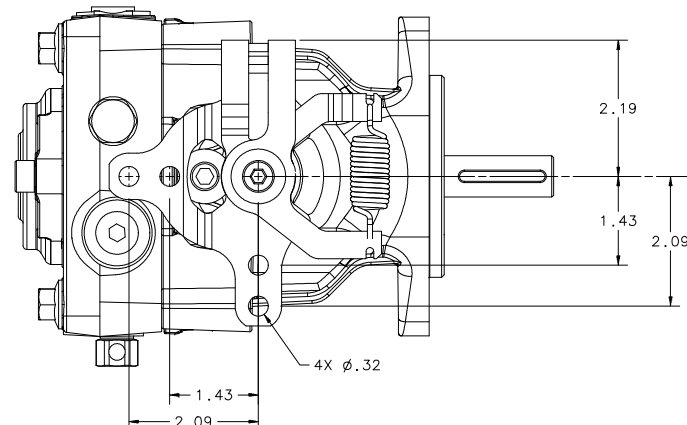
DATE DRAWN	05/22/03
DRAWN BY	MB
SCALE	FULL
REVISION DATE	01/25/12
NAME	PR PUMP - VARIABLE DISPLACEMENT SALES DWG
PART NUMBER	70989

HYDRO-GEAR
 1411 S. HAMILTON ST. SULLIVAN, IL 61951 PHONE (217) 728-2881

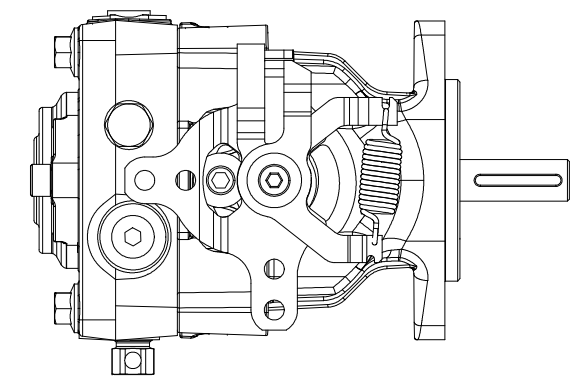
MODEL NUMBER CONFIGURATION GUIDE 70975.XLS



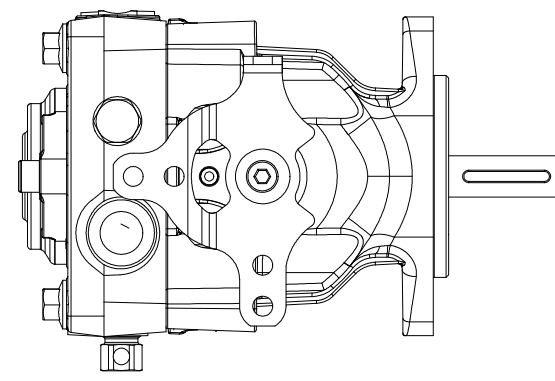
CASE DRAIN TOP
(OPTIONAL)
SAE J1926/1: 9/16-18
RECOMMENDED TORQUE:
SAE J1926/3 9/16*: 19 FT/LBS
SAE J1926/2 9/16*: 24 FT/LBS



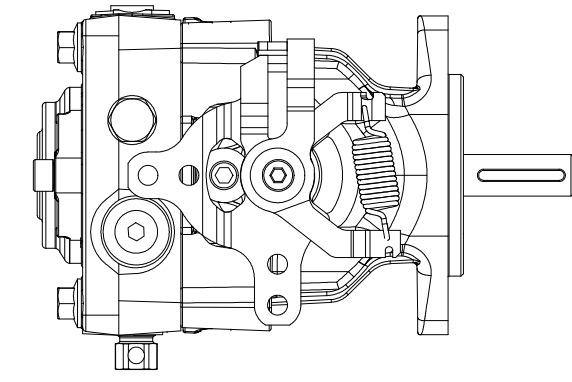
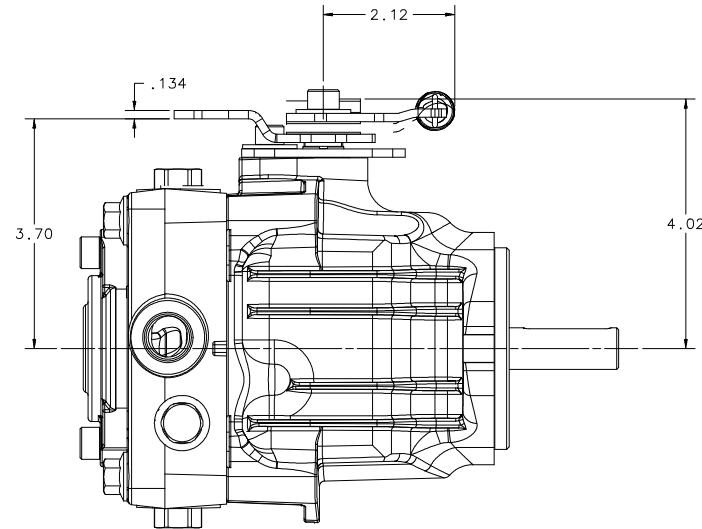
STD RETURN TO NEUTRAL



CCW RETURN TO NEUTRAL



STD CONTROL ARM ONLY

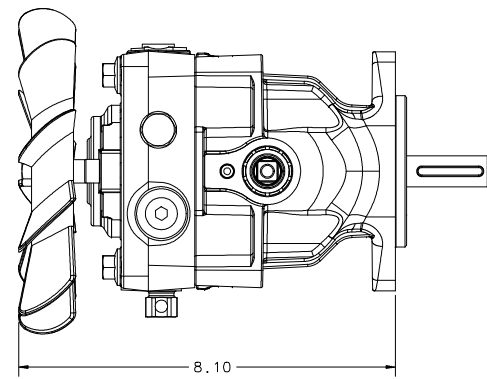


CW RETURN TO NEUTRAL

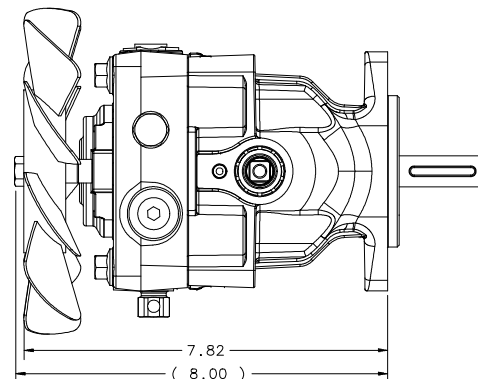
*STANDARD ORIENTATION SHOWN THROUGHOUT
ALL: (OPTIONAL)
CONTROL ARM MAY BE
ROTATED 180° WITH RESPECT
TO TRUNNION SHAFT
(OPTIONAL)
2X HEAVIER RETURN SPRING
(OPTIONAL)
CONTROL ARM ONLY

HYDRO-GEAR		FRAME E	1-DEAS
1411 S. HAMILTON ST. SULLIVAN, IL 61951 PHONE (217) 728-2581		DATE DRAWN	05/22/03
		DRAWN BY	MB
		SCALE	FULL
		REVISION DATE	01/25/12
NAME PR PUMP - VARIABLE DISPLACEMENT SALES DWG		PART NUMBER	70989

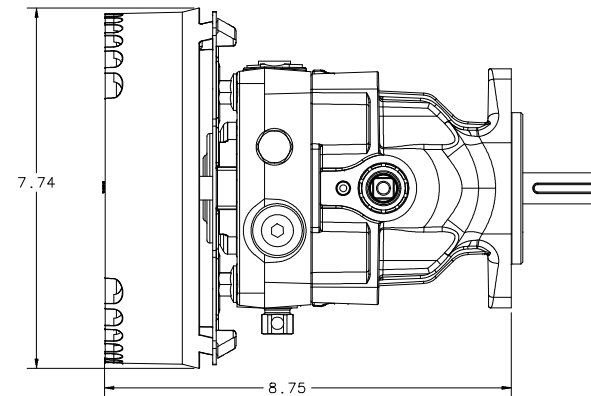
NOTICE - THIS DRAWING CONTAINS HYDRO-GEAR PROPRIETARY INFORMATION. NEITHER RECEIPT NOR POSSESSION THEREOF CONFERS ANY RIGHT TO REPRODUCE, USE, OR DISCLOSE, IN WHOLE OR PART, ANY SUCH INFORMATION WITHOUT WRITTEN AUTHORIZATION FROM HYDRO-GEAR. THE SPECIFICATIONS AND PRODUCT PROFILE DEPICTED HEREIN ARE APPROXIMATE REPRESENTATIONS SUBJECT TO CHANGE WITHOUT NOTICE OR OBLIGATION. CONSULT YOUR HYDRO-GEAR REPRESENTATIVE TO OBTAIN THE ENGINEERING INFORMATION APPROPRIATE TO YOUR APPLICATION.



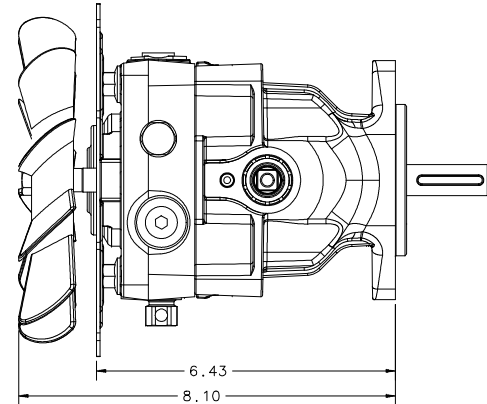
THRU CHARGE WITH $\phi 7"$ FAN (STD)
(70888 KIT W/ 51691 FAN, CCW INPUT)



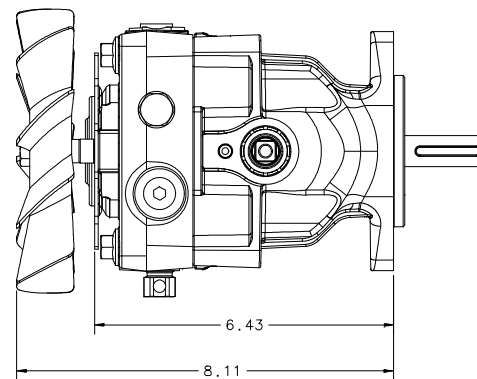
THRU CHARGE WITH $\phi 7"$ FAN (STD)
(70916 KIT W/ 51601 FAN, CW INPUT)



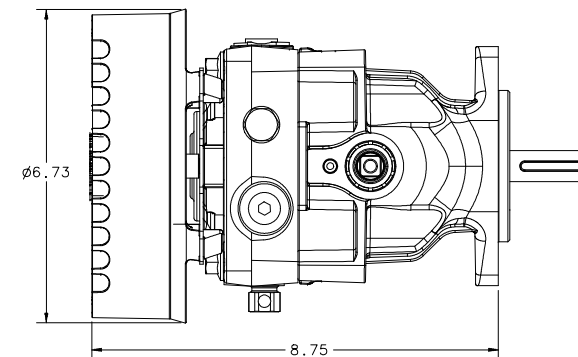
THRU CHARGE WITH $\phi 7"$ FAN (STD)
(51691, CCW INPUT, WITH BRKT & SHROUD)



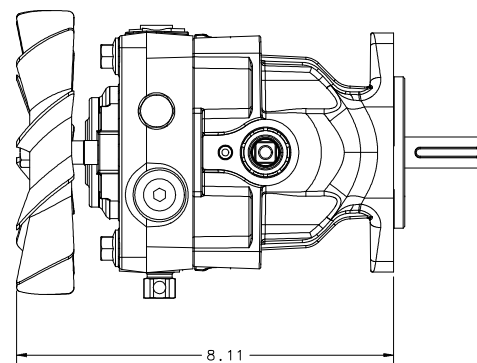
THRU CHARGE WITH $\phi 7"$ FAN
(51691, CCW INPUT, WITH BRKT)



THRU CHARGE WITH $\phi 6"$ FAN
(52014, CCW INPUT, WITH BRKT)



THRU CHARGE WITH $\phi 6"$ FAN
(52014, CCW INPUT, WITH BRKT & SHROUD)



THRU CHARGE WITH $\phi 6"$ FAN
(52014, CCW INPUT)

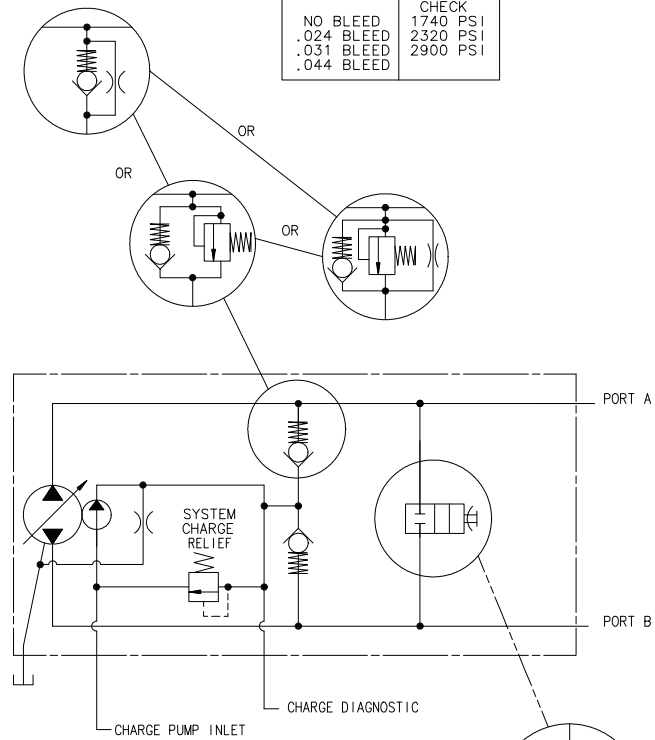
SHEET 4 OF 5

HYDRO-GEAR		FRAME E	1-DEAS
1411 S. HAMILTON ST. SULLIVAN, IL 61951 PHONE (217) 728-2281		DATE DRAWN	05/22/03
NAME PR PUMP - VARIABLE DISPLACEMENT SALES DWG		DRAWN BY	MB
PART NUMBER 70989		SCALE	FULL
REV. 01/25/12		REVISION DATE	01/25/12

MODEL NUMBER CONFIGURATION GUIDE 70975.XLS

SYSTEM CHECK & RELIEF VALVE OPTIONS:

ORIFICE	RELIEF
NO BLEED	CHECK 1740 PSI
.024 BLEED	2320 PSI
.031 BLEED	2900 PSI
.044 BLEED	

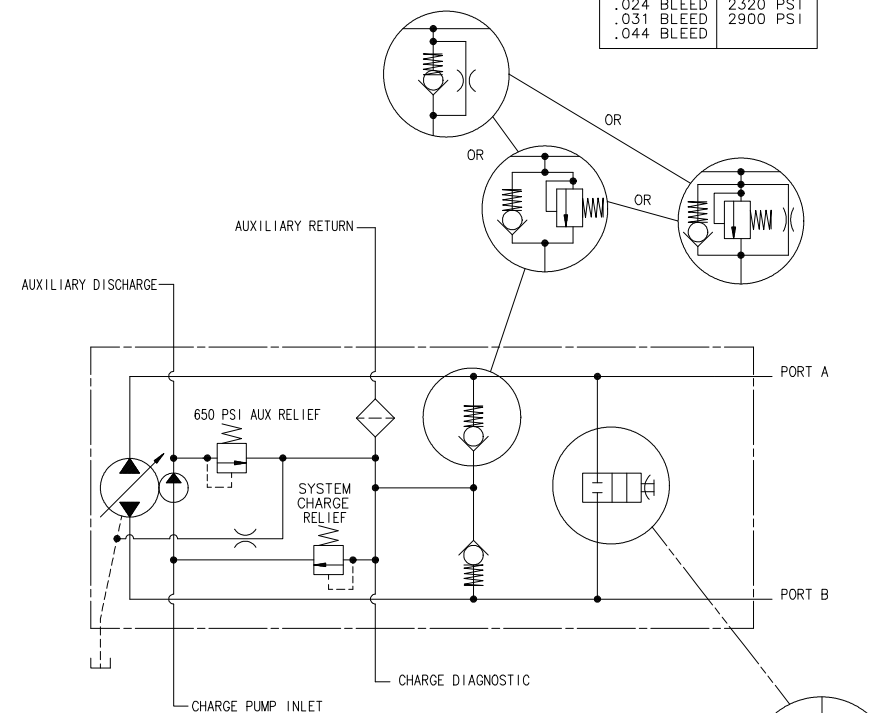


WITH STANDARD CHARGE PUMP

- BYPASS VALVE BLEED OPTIONS:
 1) NO BLEED ORIFICE
 2) .031" BLEED ORIFICE

SYSTEM CHECK & RELIEF VALVE OPTIONS:

ORIFICE	RELIEF
NO BLEED	CHECK 1740 PSI
.024 BLEED	2320 PSI
.031 BLEED	2900 PSI
.044 BLEED	



WITH AUXILIARY CHARGE PUMP

- BYPASS VALVE BLEED OPTIONS:
 1) NO BLEED ORIFICE
 2) .031" BLEED ORIFICE