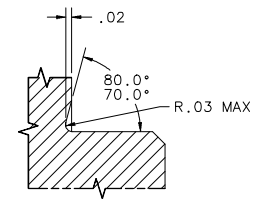
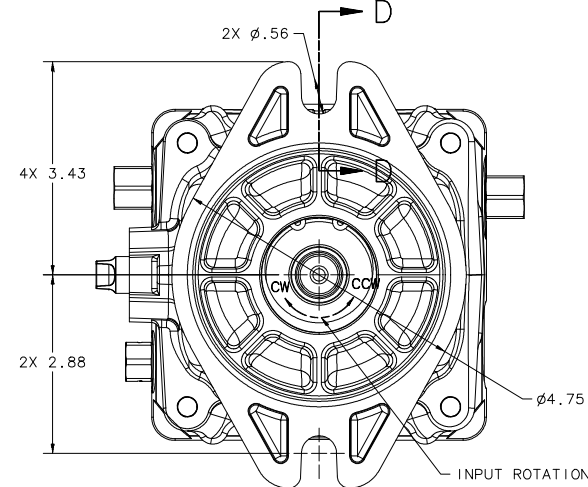
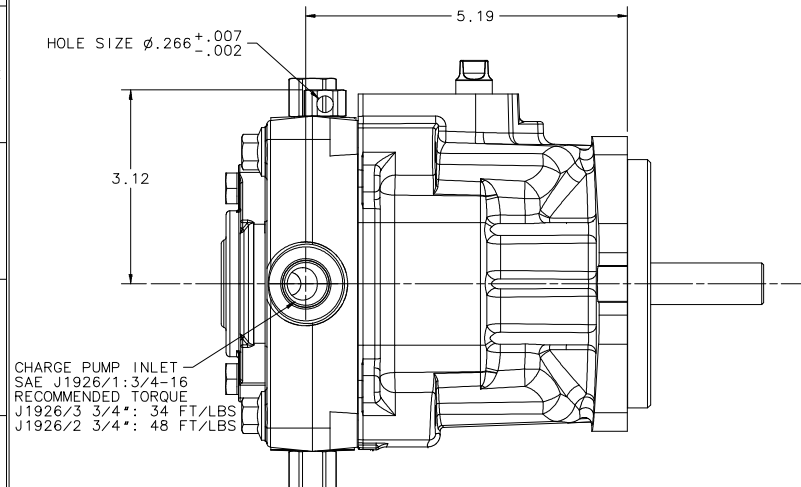
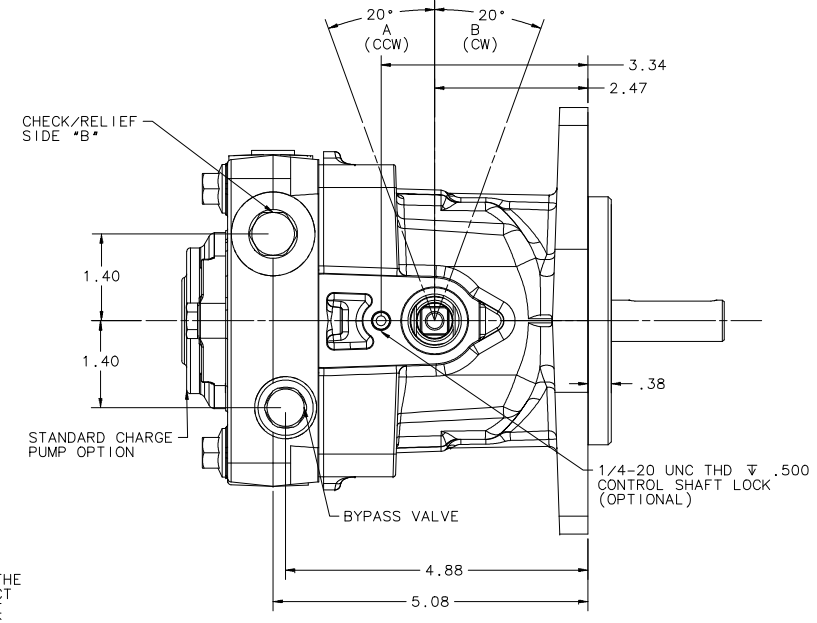
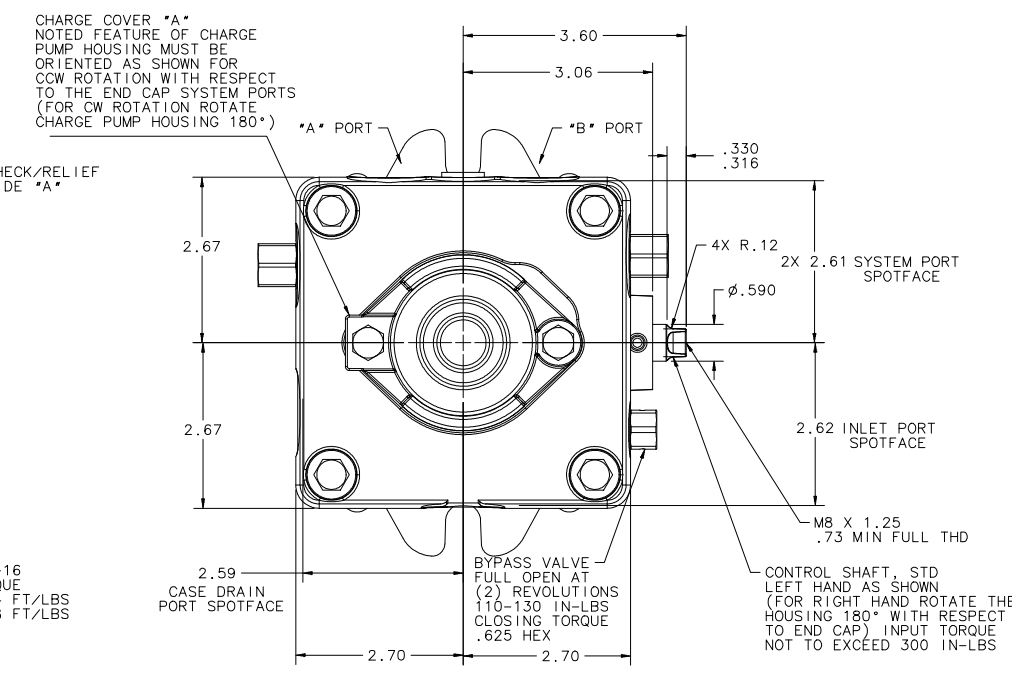
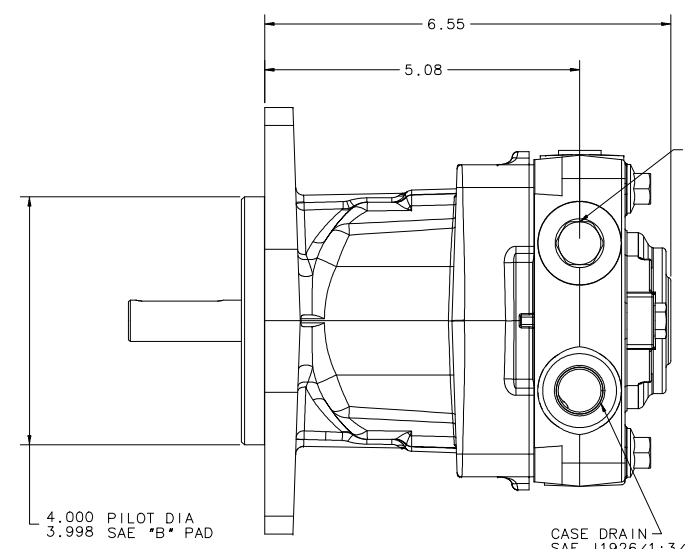
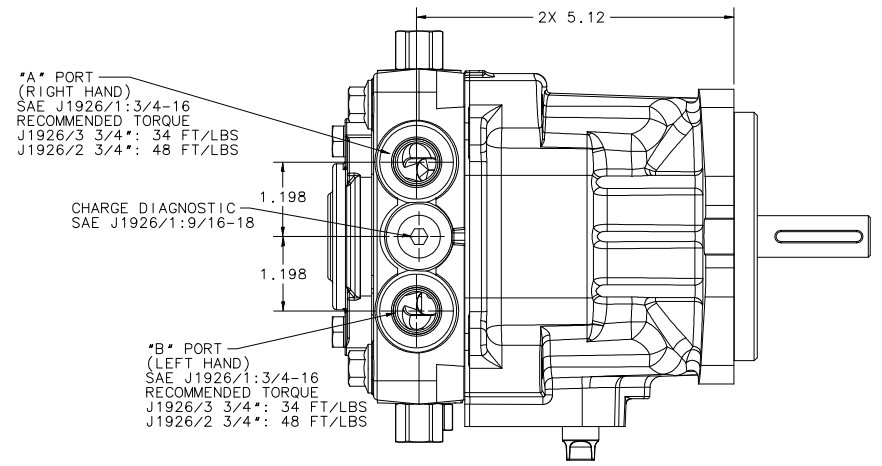
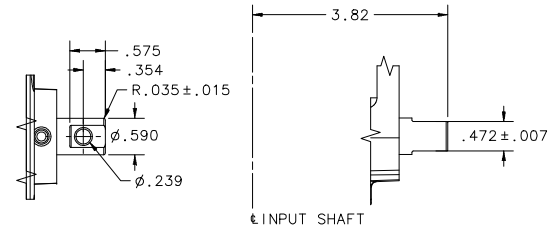
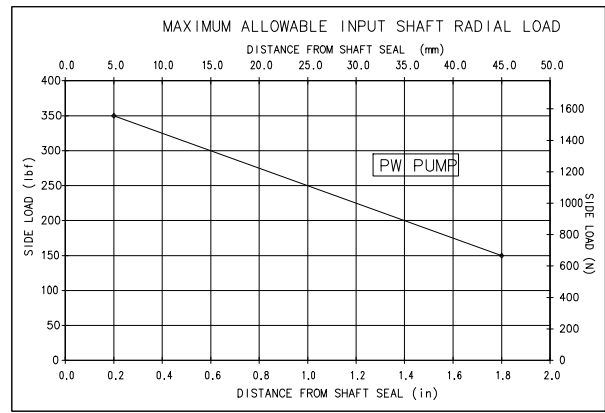


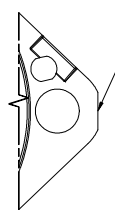
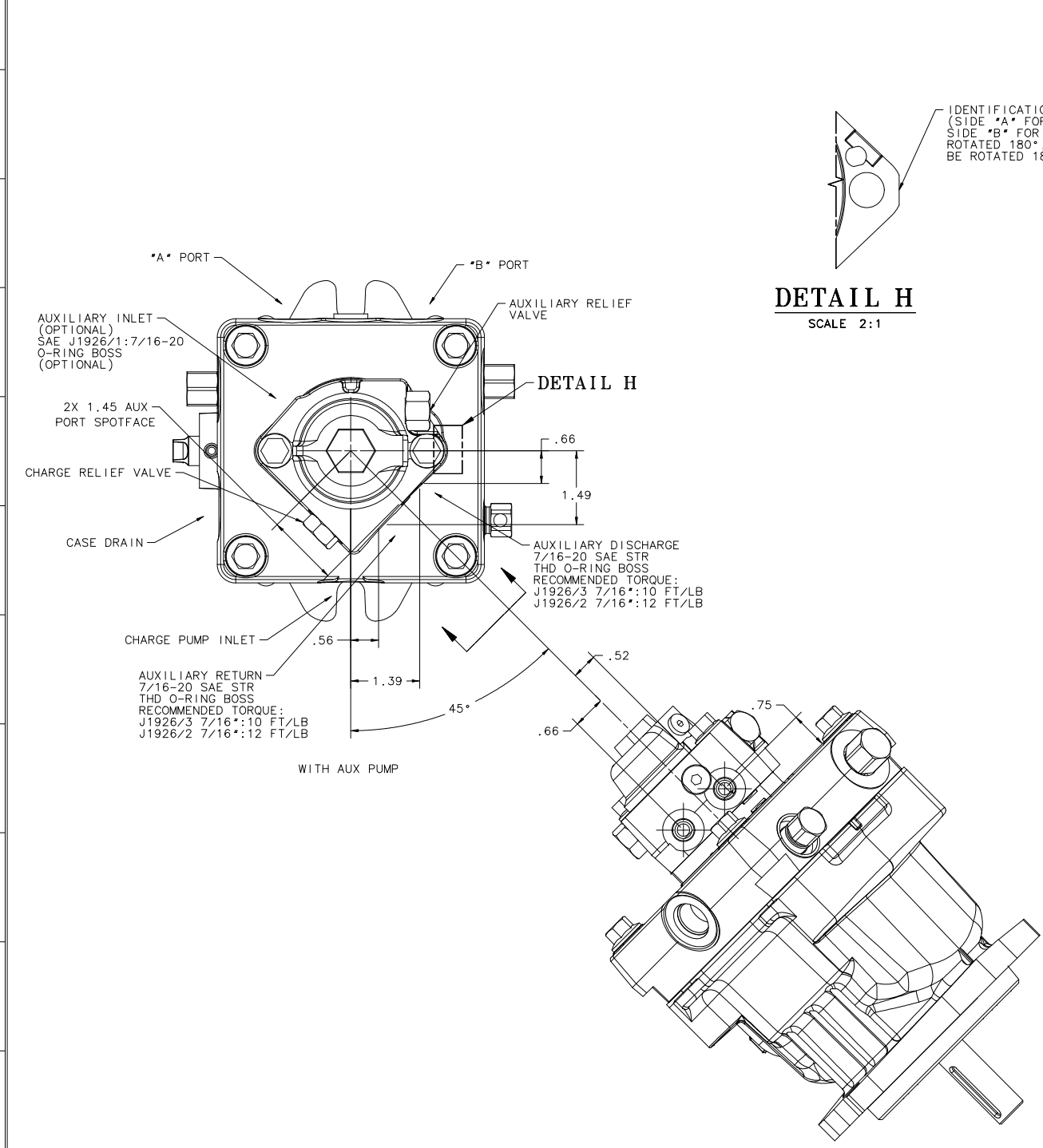
NOTICE - THIS DRAWING CONTAINS HYDRO-GEAR PROPRIETARY INFORMATION. NEITHER RECEIPT NOR POSSESSION THEREOF CONFERS ANY RIGHT TO REPRODUCE, USE, OR DISCLOSE, IN WHOLE OR PART, ANY SUCH INFORMATION WITHOUT WRITTEN AUTHORIZATION FROM HYDRO-GEAR. THE SPECIFICATIONS AND PRODUCT PROFILE DEPICTED HEREIN ARE APPROXIMATE REPRESENTATIONS SUBJECT TO CHANGE WITHOUT NOTICE OR OBLIGATION. CONSULT YOUR HYDRO-GEAR REPRESENTATIVE TO OBTAIN THE ENGINEERING INFORMATION APPROPRIATE TO YOUR APPLICATION.

CONTROL SHAFT SIDE	LEFT HAND				RIGHT HAND			
	CW		CCW		CW		CCW	
INPUT SHAFT ROTATION								
CONTROL SHAFT ROTATION	A (CCW)	B (CW)	A (CCW)	B (CW)	A (CCW)	B (CW)	A (CCW)	B (CW)
PORT A FLOW	IN	OUT	OUT	IN	OUT	IN	IN	OUT
PORT B FLOW	OUT	IN	IN	OUT	IN	OUT	OUT	IN

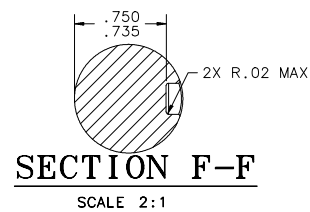
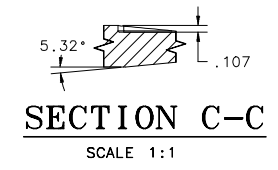
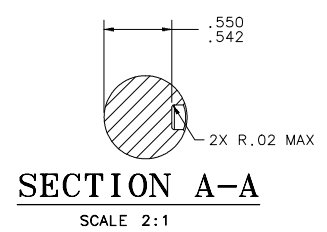
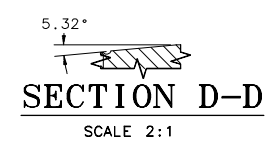
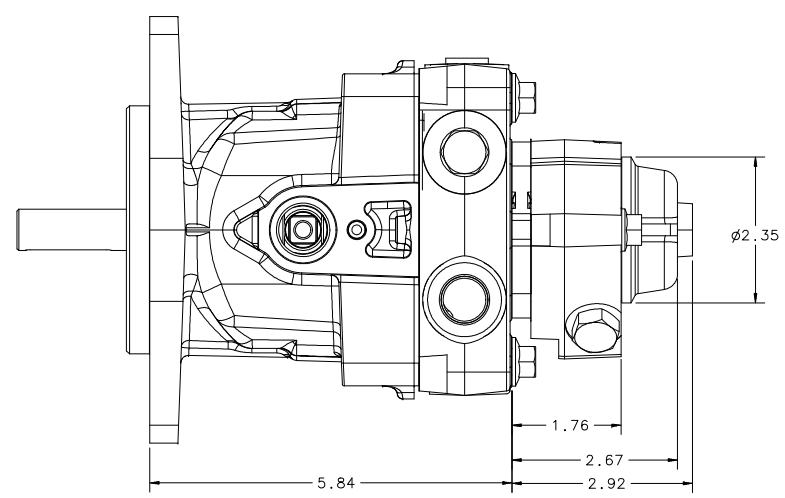
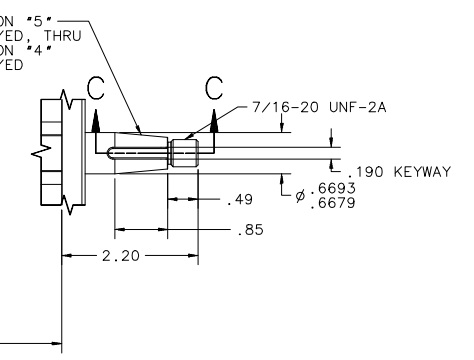
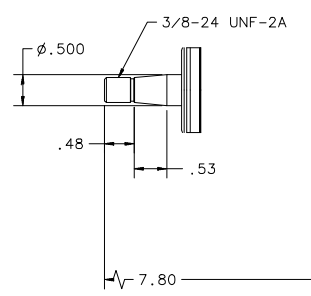
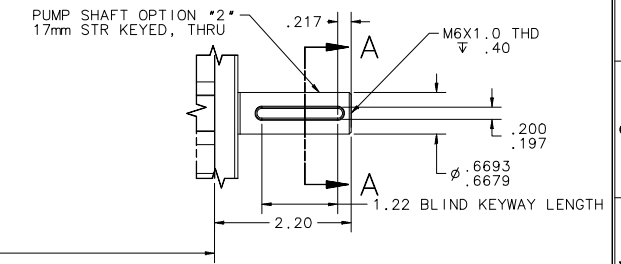
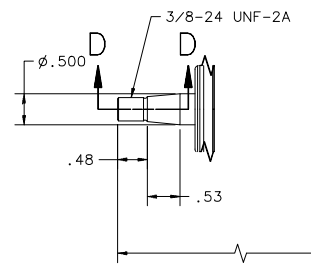
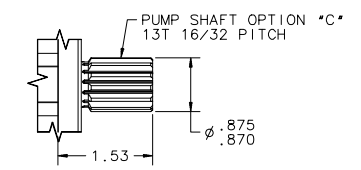
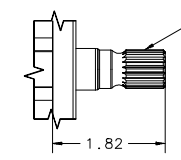
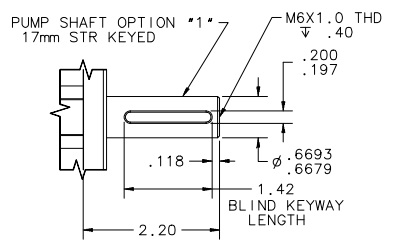
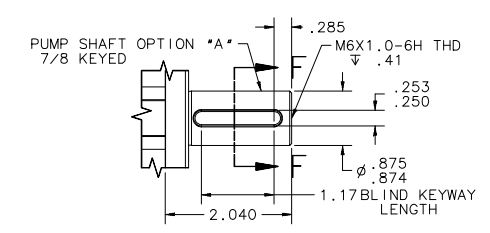


SECTION D-D
SCALE 4:1

NOTICE - THIS DRAWING CONTAINS HYDRO-GEAR PROPRIETARY INFORMATION. NEITHER RECEIPT NOR POSSESSION THEREOF CONFERS ANY RIGHT TO REPRODUCE, USE, OR DISCLOSE, IN WHOLE OR PART, ANY SUCH INFORMATION WITHOUT WRITTEN AUTHORIZATION FROM HYDRO-GEAR. THE SPECIFICATIONS AND PRODUCT PROFILE DEPICTED HEREIN ARE APPROXIMATE REPRESENTATIONS SUBJECT TO CHANGE WITHOUT NOTICE OR OBLIGATION. CONSULT YOUR HYDRO-GEAR REPRESENTATIVE TO OBTAIN THE ENGINEERING INFORMATION APPROPRIATE TO YOUR APPLICATION.



DETAIL H
 SCALE 2:1

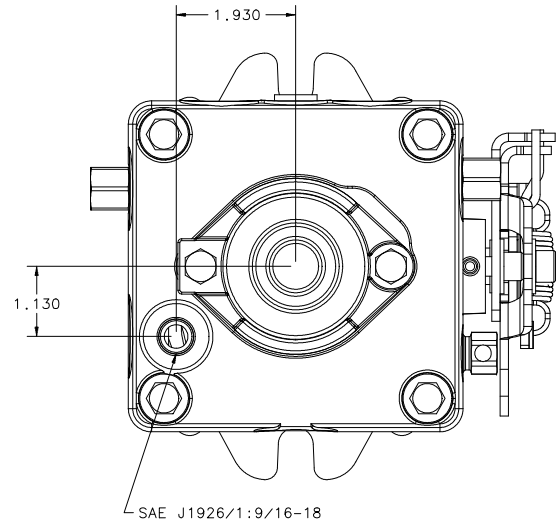


SHEET 2 OF 5

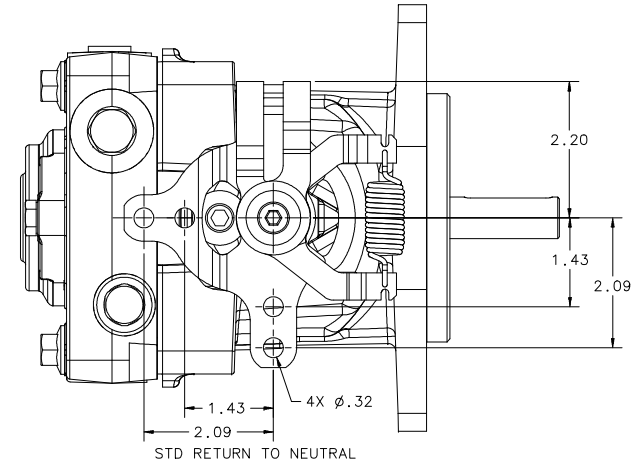
HYDRO-GEAR		DATE DRAWN: 05/21/03	SCALE: FULL
1411 S. HAMILTON ST. SULLY, ILL. 61081 PHONE (217) 728-2281		SCALE: FULL	REVISION DATE: 01/25/12
NAME: PW VARIABLE DISPLACEMENT SALES DRAWING	PART NUMBER: 70988	DATE: 05/21/03	DRAWN BY: JAM

MODEL NO. CONFIGURATION GUIDE: 70977.XLS

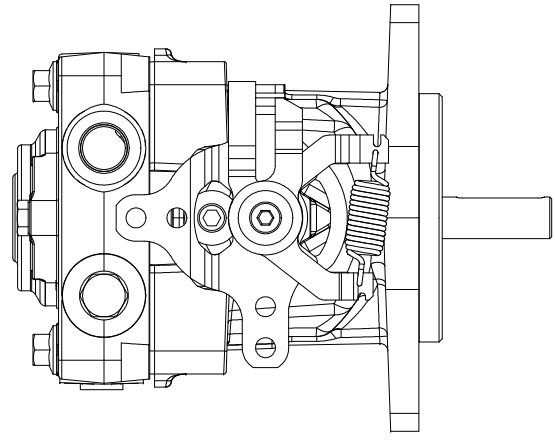
NOTICE - THIS DRAWING CONTAINS HYDRO-GEAR PROPRIETARY INFORMATION. NEITHER RECEIPT NOR POSSESSION THEREOF CONFERS ANY RIGHT TO REPRODUCE, USE, OR DISCLOSE, IN WHOLE OR PART, ANY SUCH INFORMATION WITHOUT WRITTEN AUTHORIZATION FROM HYDRO-GEAR. THE SPECIFICATIONS AND PRODUCT PROFILE DEPICTED HEREIN ARE APPROXIMATE REPRESENTATIONS SUBJECT TO CHANGE WITHOUT NOTICE OR OBLIGATION. CONSULT YOUR HYDRO-GEAR REPRESENTATIVE TO OBTAIN THE ENGINEERING INFORMATION APPROPRIATE TO YOUR APPLICATION.



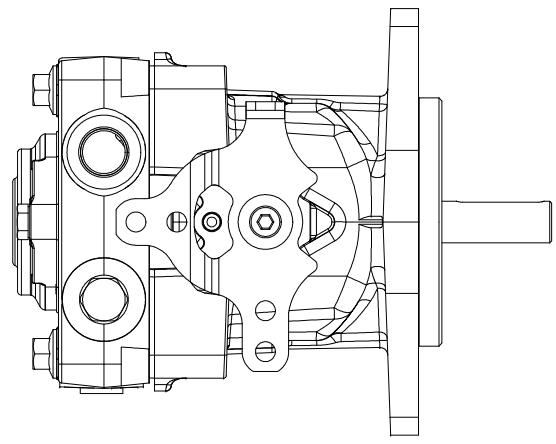
TOP CASE DRAIN OPTION



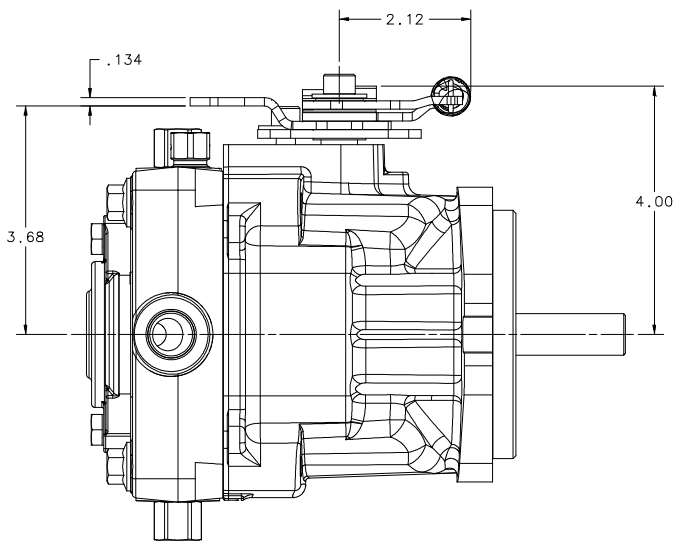
STD RETURN TO NEUTRAL



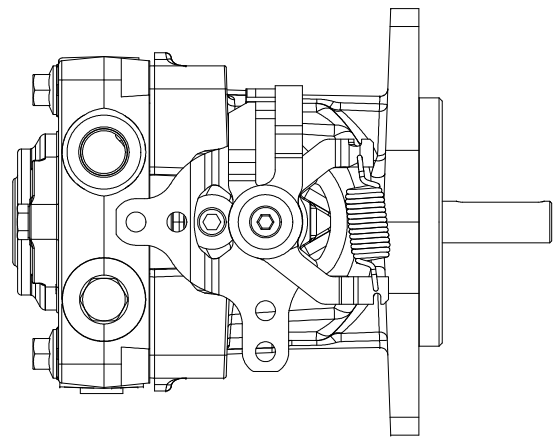
CCW RETURN TO NEUTRAL



STD CONTROL ARM ONLY



STANDARD ORIENTATION SHOWN THROUGHOUT



CW RETURN TO NEUTRAL

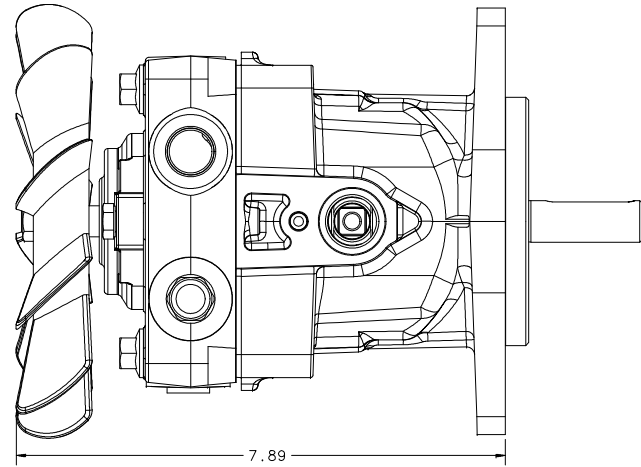
ALL: (OPTIONAL)
 CONTROL ARM MAY BE
 ROTATED 180° WITH RESPECT
 TO TRUNNION SHAFT

 (OPTIONAL)
 2X HEAVIER RETURN SPRING

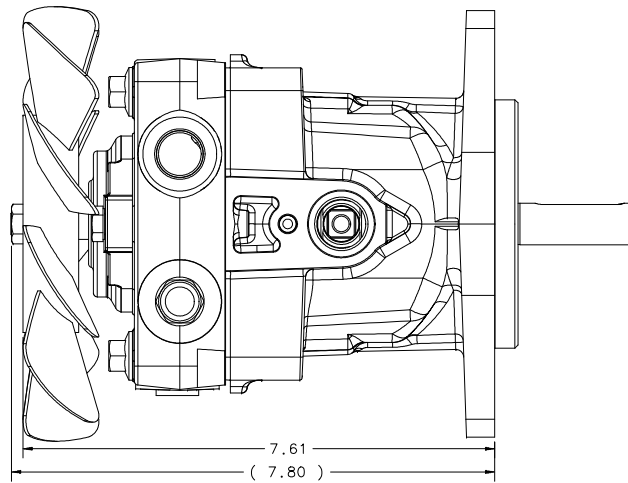
 (OPTIONAL)
 CONTROL ARM ONLY

FRAME #	1-DEAS
DATE DRAWN	05/21/03
DRAWN BY	JAM
SCALE	FULL
REVISION DATE	01/25/12
PART NUMBER	70988

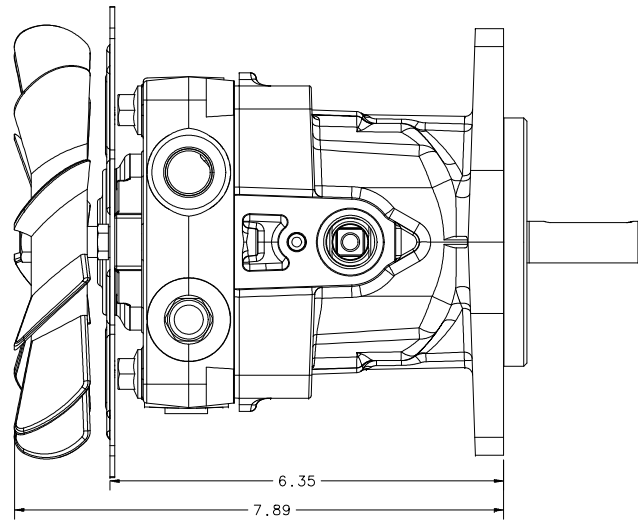
NOTICE - THIS DRAWING CONTAINS HYDRO-GEAR PROPRIETARY INFORMATION. NEITHER RECEIPT NOR POSSESSION THEREOF CONFERS ANY RIGHT TO REPRODUCE, USE, OR DISCLOSE, IN WHOLE OR PART, ANY SUCH INFORMATION WITHOUT WRITTEN AUTHORIZATION FROM HYDRO-GEAR. THE SPECIFICATIONS AND PRODUCT PROFILE DEPICTED HEREIN ARE APPROXIMATE REPRESENTATIONS SUBJECT TO CHANGE WITHOUT NOTICE OR OBLIGATION. CONSULT YOUR HYDRO-GEAR REPRESENTATIVE TO OBTAIN THE ENGINEERING INFORMATION APPROPRIATE TO YOUR APPLICATION.



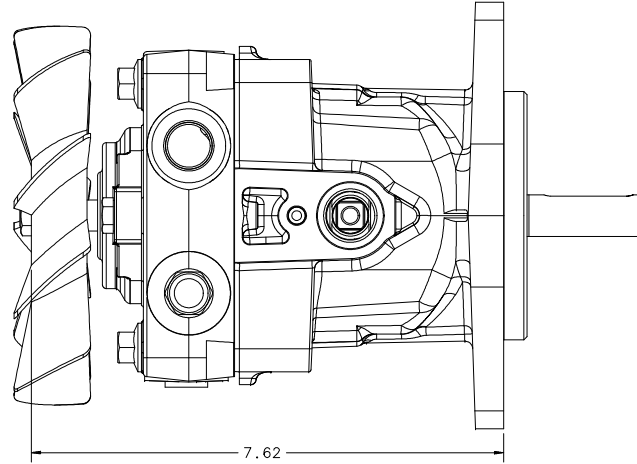
THRU CHARGE WITH $\phi 7"$ FAN (STD)
(70888 KIT W/ 51691 FAN, CCW INPUT)



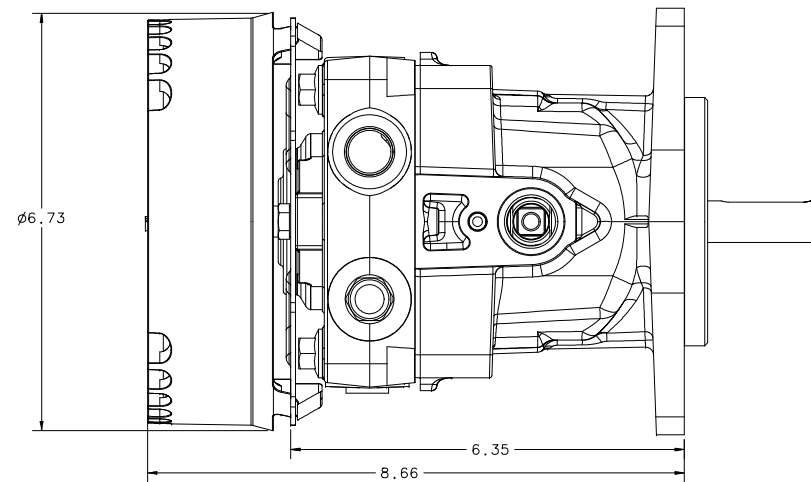
THRU CHARGE WITH $\phi 7"$ FAN (STD)
(70916 KIT W/ 51601 FAN, CW INPUT)



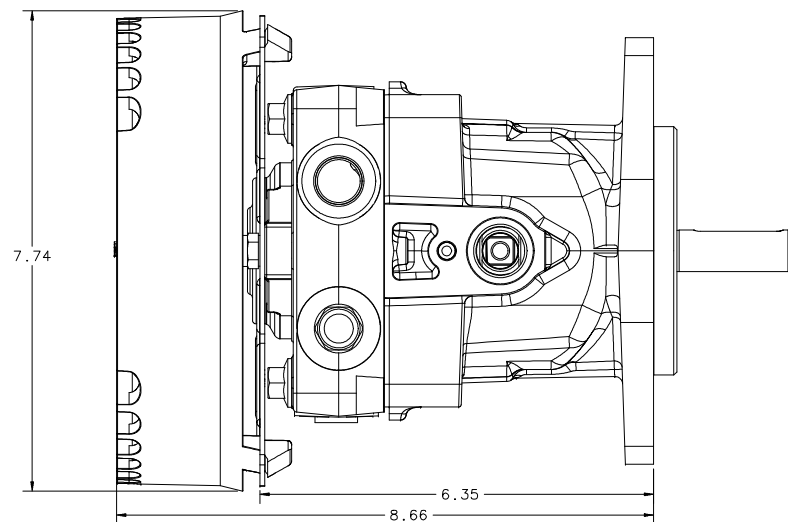
THRU CHARGE WITH $\phi 7"$ FAN
(51691 FAN, CCW INPUT, W/ BRKT)



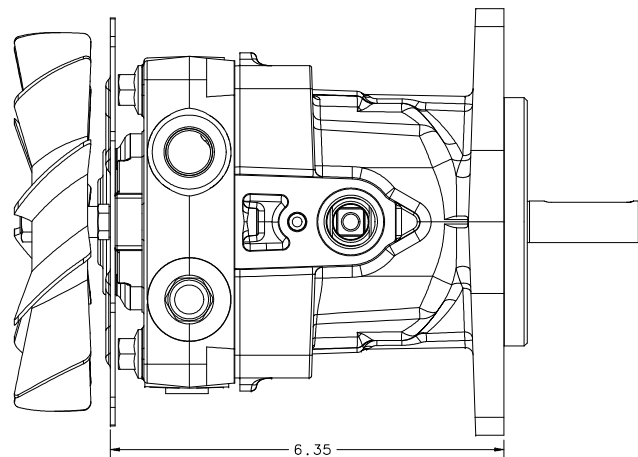
THRU CHARGE WITH $\phi 6"$ FAN
(52014 FAN, CCW INPUT)



THRU CHARGE WITH $\phi 6"$ FAN
(52014 FAN, CCW INPUT, W/ BRKT & SHROUD)



THRU CHARGE WITH $\phi 7"$ FAN
(51691 FAN, CCW INPUT, W/ BRKT & SHROUD)



THRU CHARGE WITH $\phi 6"$ FAN
(52014 FAN, CCW INPUT, W/ BRKT)

SHEET 4 OF 5

HYDRO-GEAR		FRAME E	1-DEAS
1411 S. HAMILTON ST., SULLIVAN, IL 61951 PHONE (217) 728-2281		DATE DRAWN	05/21/03
NAME PW VARIABLE DISPLACEMENT SALES DRAWING		DRAWN BY	JAM
PART NUMBER 70988		SCALE	FULL
		REVISION DATE	01/25/12
		CHK	(P12)

MODEL NO. CONFIGURATION GUIDE: 70977.XLS

