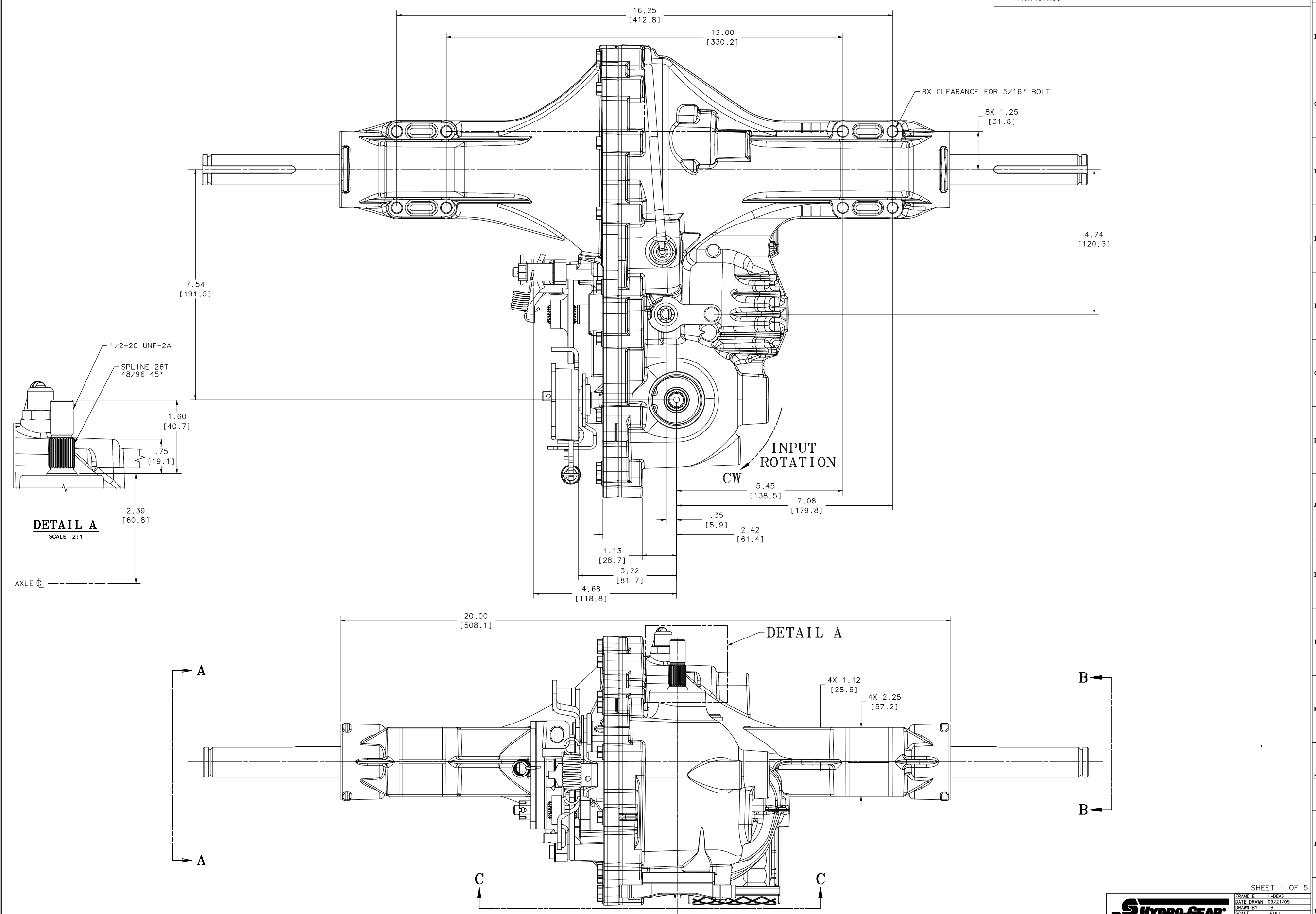


NOTICE - THIS DRAWING CONTAINS HYDRO-GEAR PROPRIETARY INFORMATION. NEITHER RECEIPT NOR POSSESSION THEREOF CONFERS ANY RIGHT TO REPRODUCE, USE, OR DISCLOSE, IN WHOLE OR PART, ANY SUCH INFORMATION WITHOUT WRITTEN AUTHORIZATION FROM HYDRO-GEAR. THE SPECIFICATIONS AND PRODUCT PROFILE DEPICTED HEREIN ARE APPROXIMATE REPRESENTATIONS SUBJECT TO CHANGE WITHOUT NOTICE OR OBLIGATION. CONSULT YOUR HYDRO-GEAR REPRESENTATIVE TO OBTAIN THE ENGINEERING INFORMATION APPROPRIATE TO YOUR APPLICATION.

NOTE:

1. MAXIMUM FAN & PULLEY DISTANCE FROM AXLE SHAFT CENTER LINE TO HIGHEST POINT IS 5.79 INCHES FOR SHIPPING IN RETURNABLE PACKAGING.

BASE UNIT



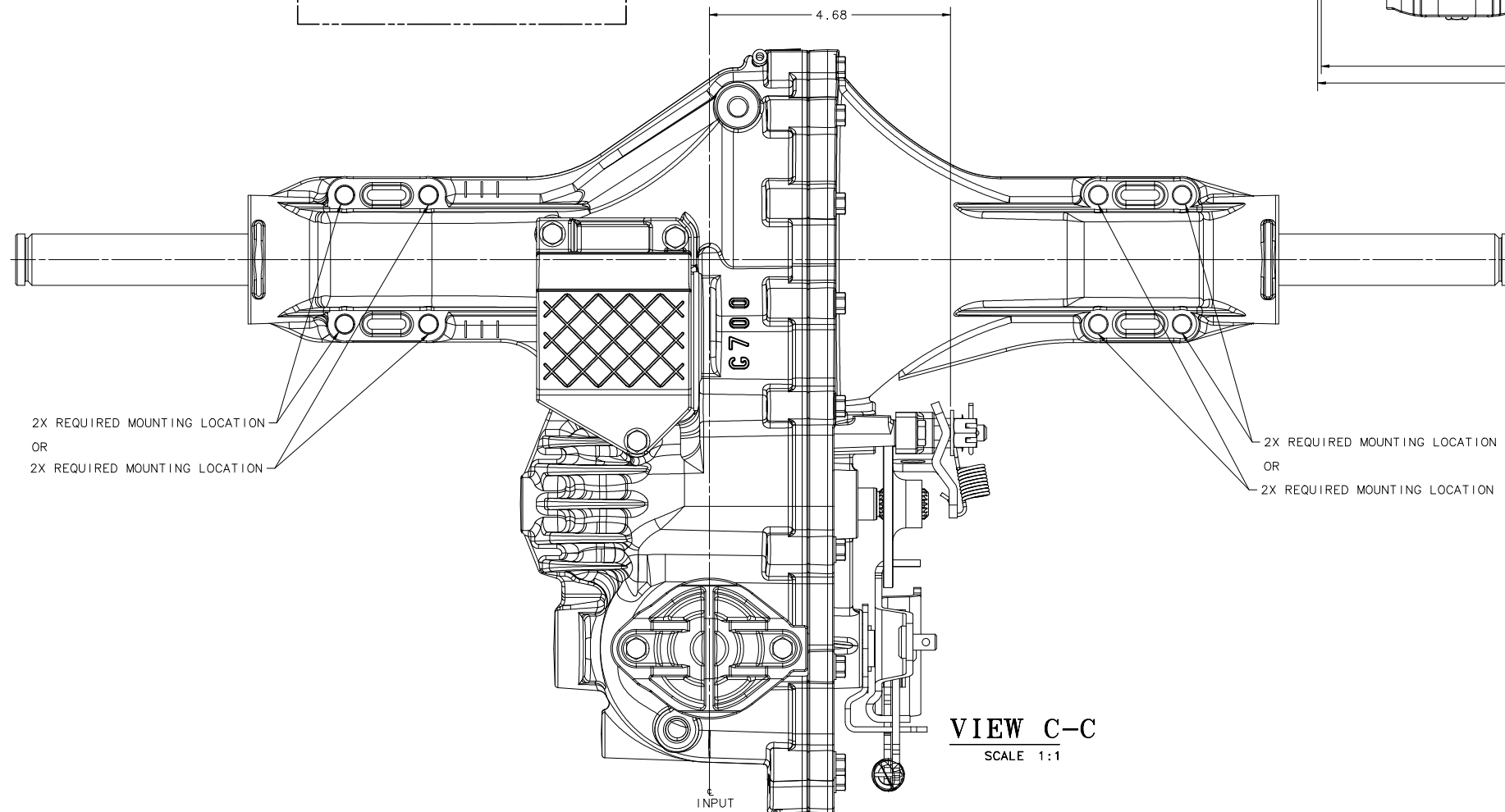
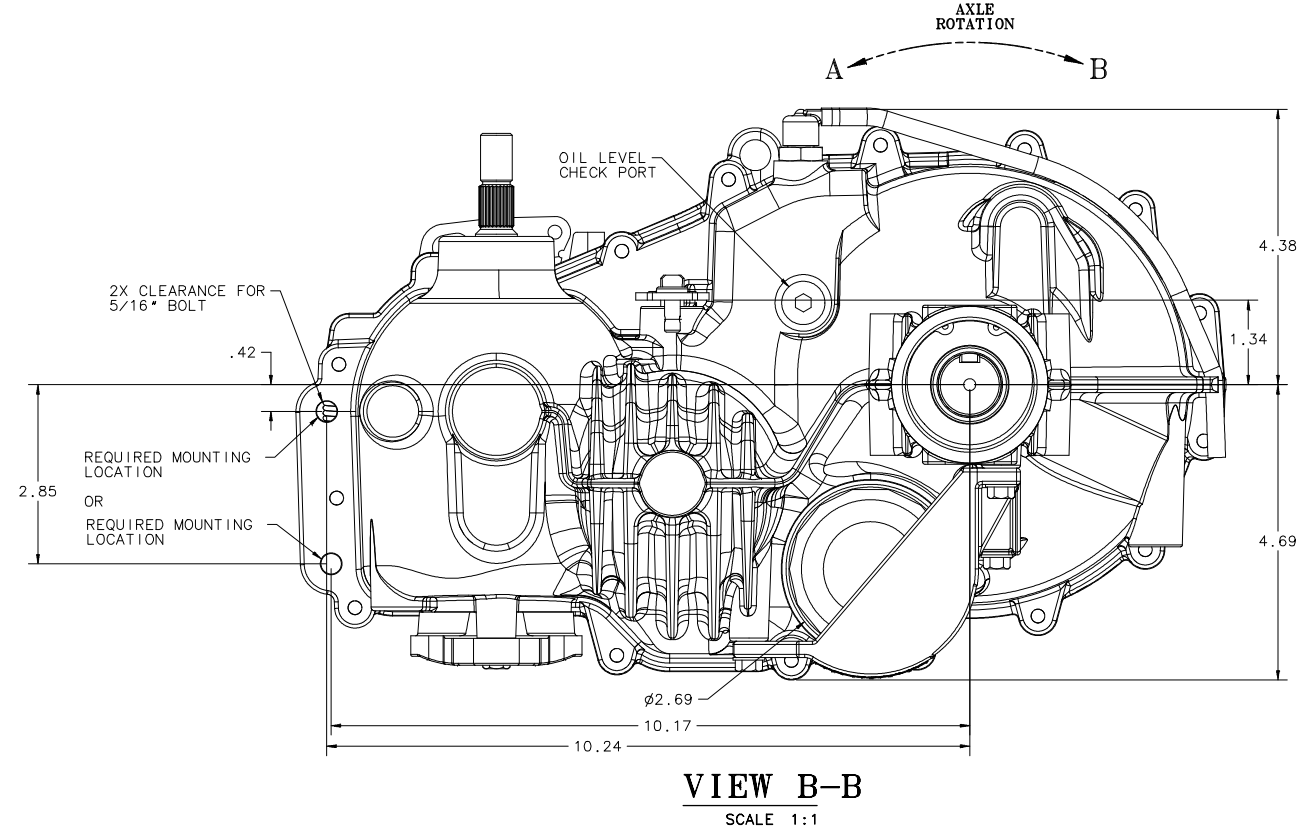
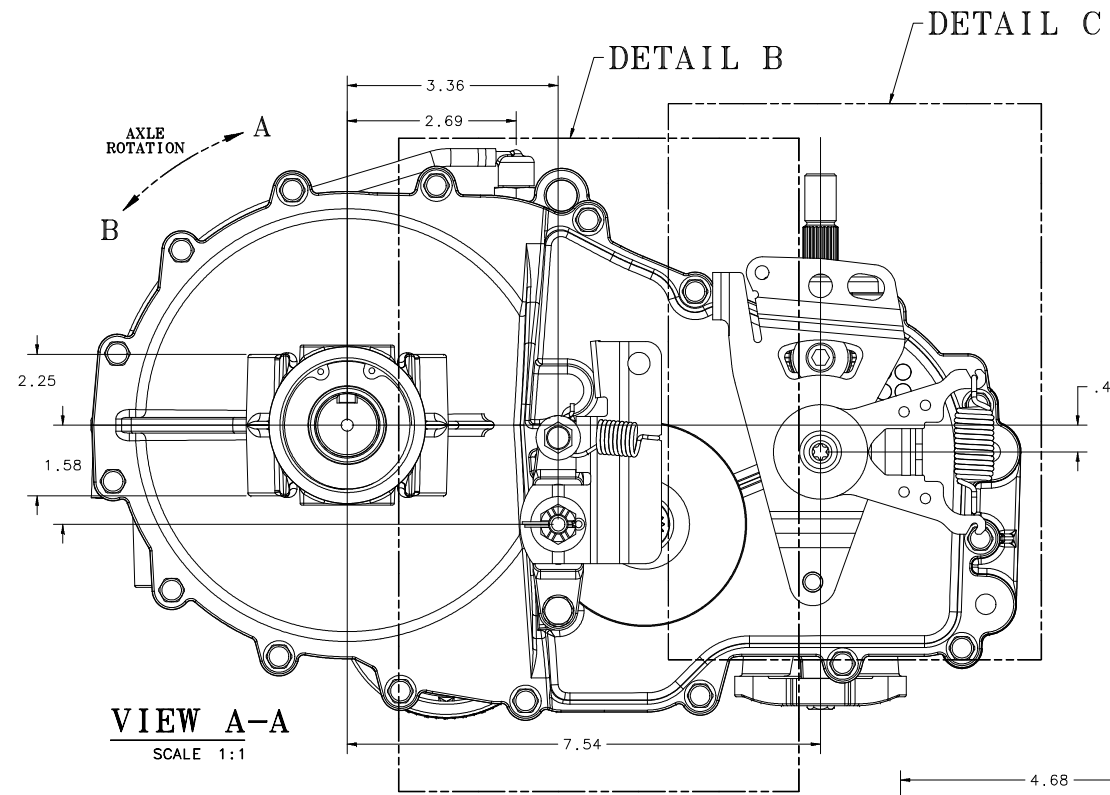
DETAIL A
SCALE 2:1

AXLE ϕ

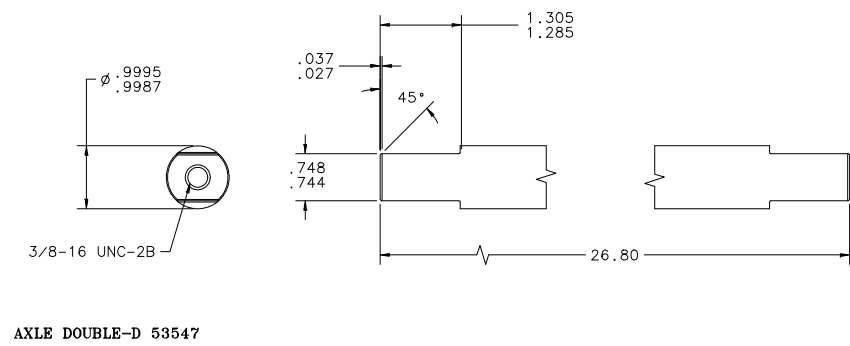
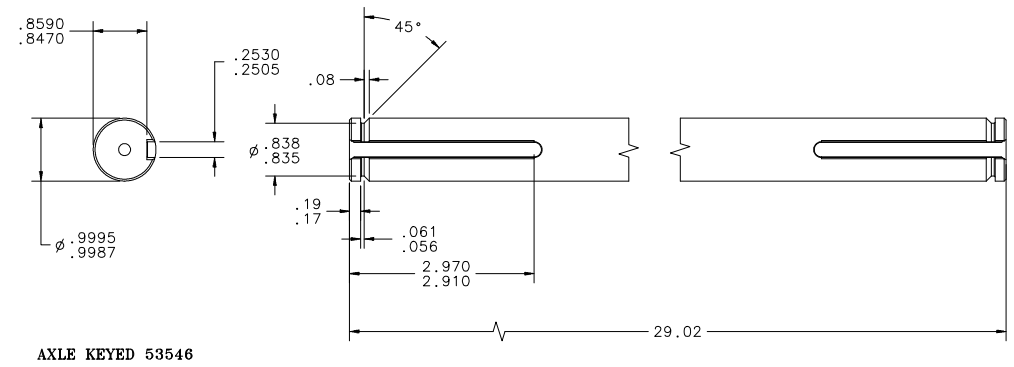
HYDRO-GEAR		FRAME E	I-DEAS
1411 S. HAMILTON ST. SULLIVAN, IL 61851 PHONE (217) 728-2581		DATE DRAWN	09/21/05
NAME G700 GENERIC SALES DRAWING		DRAWN BY	TB
PART NUMBER 71522		SCALE	FULL
		REVISION DATE	04-16-12
		DATE	04-16-12

NOTICE - THIS DRAWING CONTAINS HYDRO-GEAR PROPRIETARY INFORMATION. NEITHER RECEIPT NOR POSSESSION THEREOF CONFERS ANY RIGHT TO REPRODUCE, USE, OR DISCLOSE, IN WHOLE OR PART, ANY SUCH INFORMATION WITHOUT WRITTEN AUTHORIZATION FROM HYDRO-GEAR. THE SPECIFICATIONS AND PRODUCT PROFILE DEPICTED HEREIN ARE APPROXIMATE REPRESENTATIONS SUBJECT TO CHANGE WITHOUT NOTICE OR OBLIGATION. CONSULT YOUR HYDRO-GEAR REPRESENTATIVE TO OBTAIN THE ENGINEERING INFORMATION APPROPRIATE TO YOUR APPLICATION.

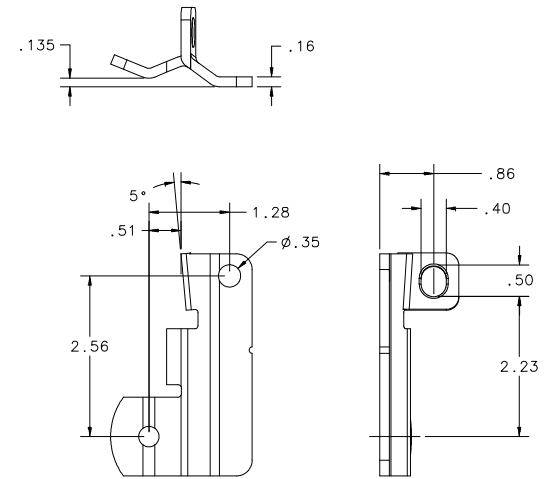
BASE UNIT



AXLE OPTIONS

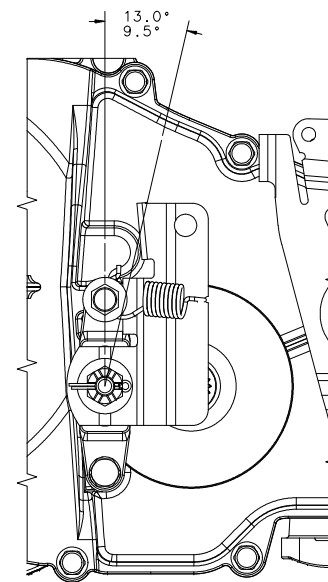


BRAKE OPTION

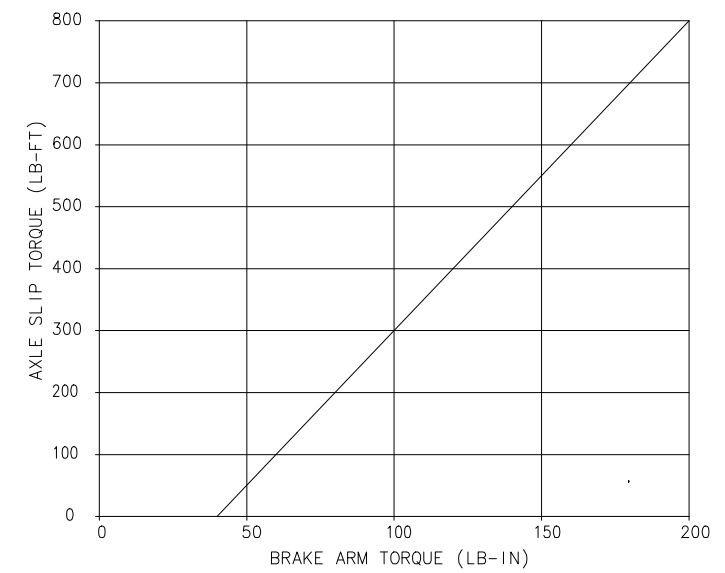


BRAKE ARM 50911

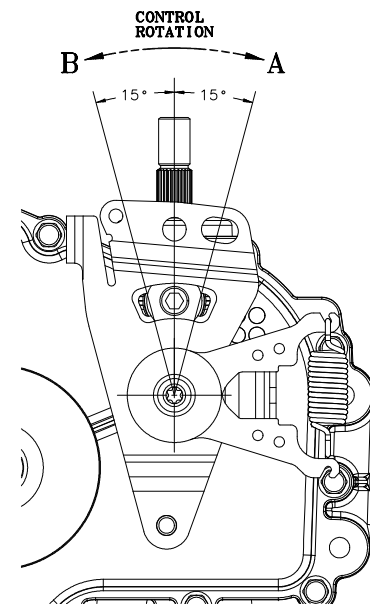
BRAKE ACTIVATION ANGLE



MINIMUM PARKING BRAKE HOLDING TORQUES



CONTROL OPTIONS

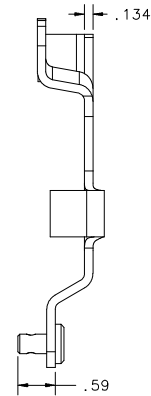
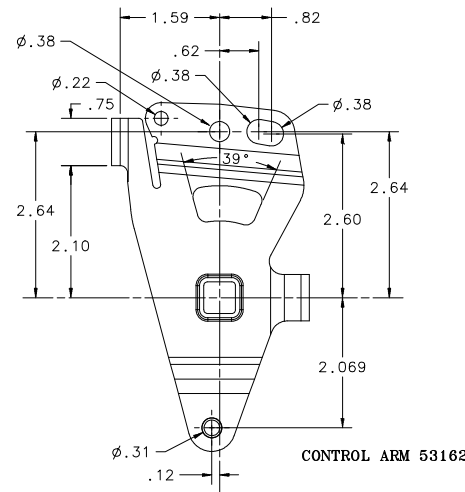
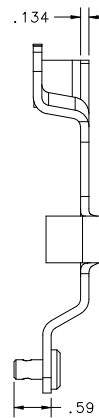
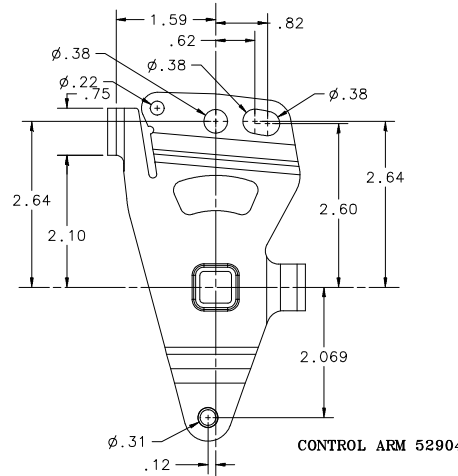
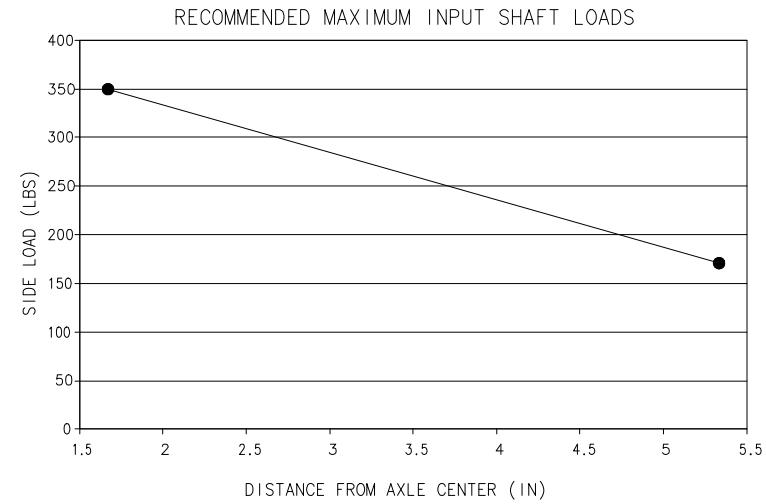


DETAIL C-C
SCALE 1:1

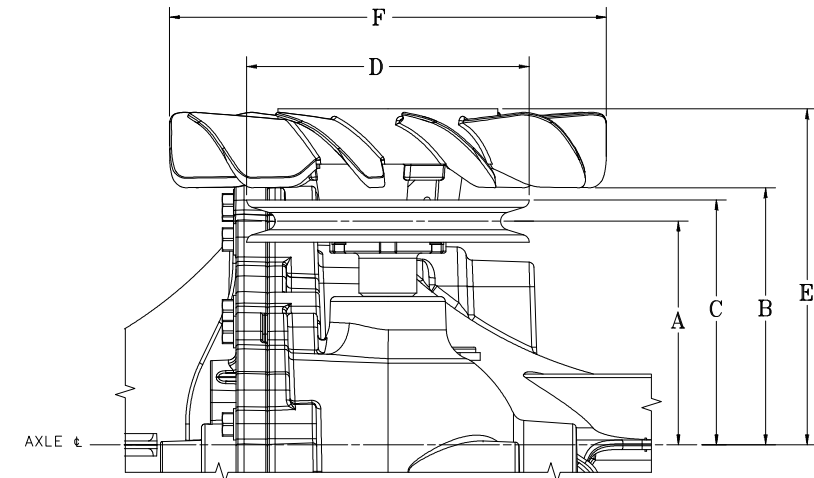
RETURN SPRING OPTIONS

SPRING TYPE	RESTORING MOMENT (LB-IN)
HEAVY	46

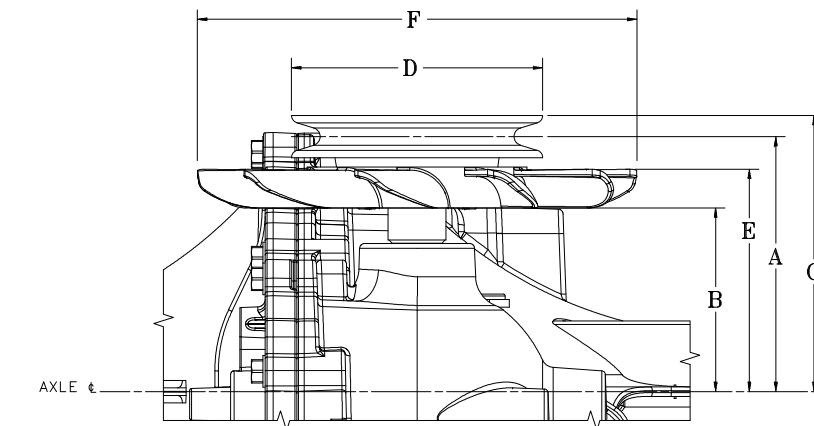
ROTATION DIRECTIONS		
INPUT SHAFT	CONTROL ARM	AXLE SHAFT
CW	A	B
CW	B	A
CCW	A	A
CCW	B	B



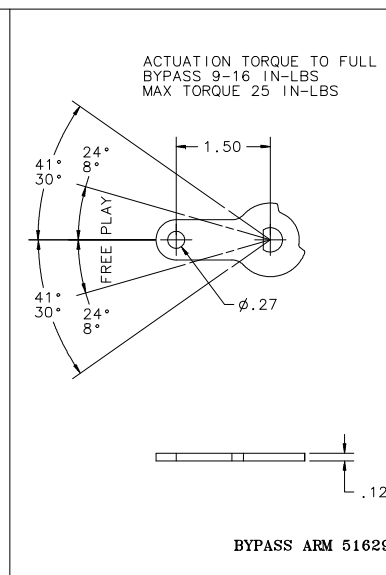
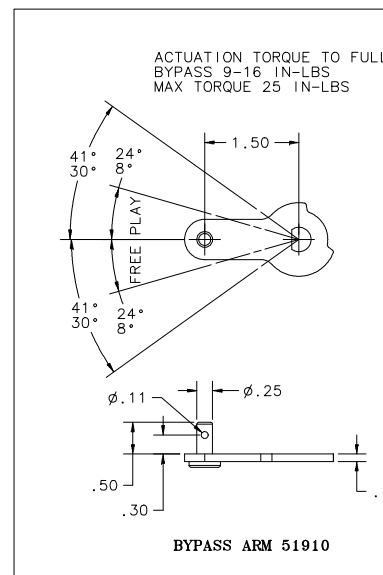
FAN/PULLEY OPTIONS



FAN AND PULLEY KIT	A	B	C	D	E	F	INPUT ROTATION
72275	4.06	4.59	4.40	4.00	5.79	7.00	CW

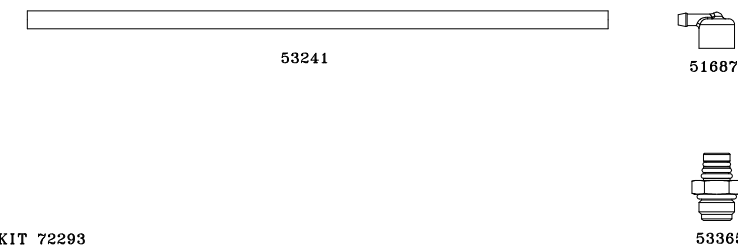


FAN AND PULLEY KIT	A	B	C	D	E	F	INPUT ROTATION
72133	4.06	2.92	4.39	4.00	3.53	7.00	CW



BYPASS OPTIONS

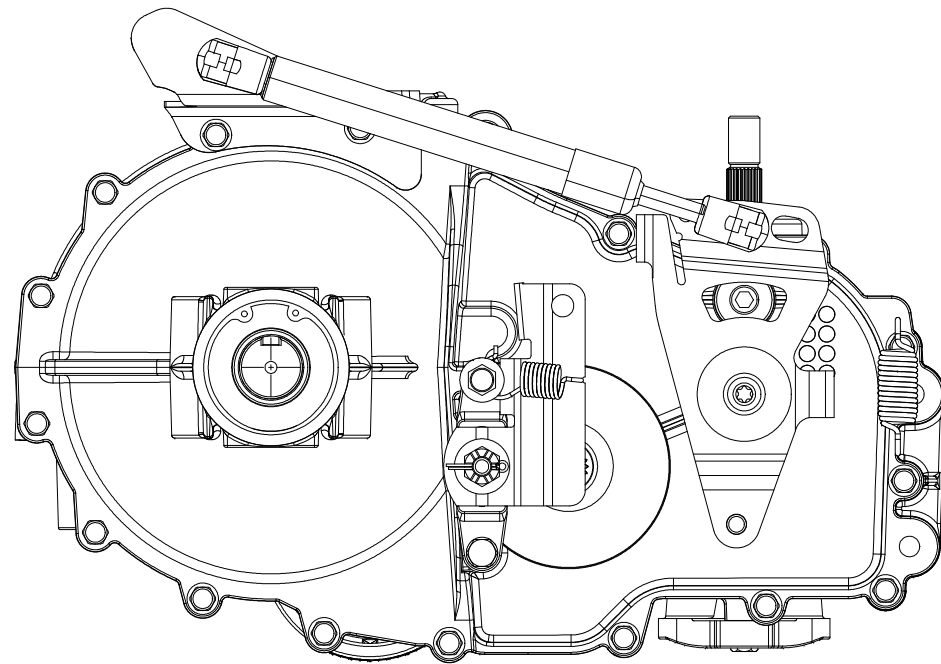
BREATHER OPTION



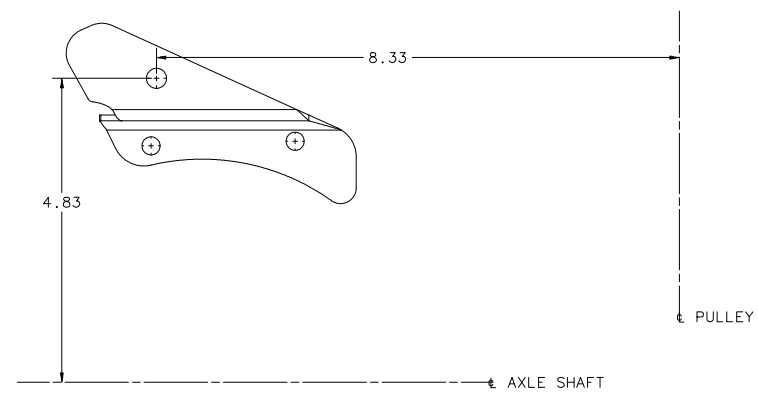
KIT 72293
VERTICAL INPUT SHAFT ONLY

NOTICE - THIS DRAWING CONTAINS HYDRO-GEAR PROPRIETARY INFORMATION. NEITHER RECEIPT NOR POSSESSION THEREOF CONFERS ANY RIGHT TO REPRODUCE, USE, OR DISCLOSE, IN WHOLE OR PART, ANY SUCH INFORMATION WITHOUT WRITTEN AUTHORIZATION FROM HYDRO-GEAR. THE SPECIFICATIONS AND PRODUCT PROFILE DEPICTED HEREIN ARE APPROXIMATE REPRESENTATIONS SUBJECT TO CHANGE WITHOUT NOTICE OR OBLIGATION. CONSULT YOUR HYDRO-GEAR REPRESENTATIVE TO OBTAIN THE ENGINEERING INFORMATION APPROPRIATE TO YOUR APPLICATION.

DAMPER OPTION



KIT 71878 (DAMPER 51703 AND 53339 BRACKET)



DAMPER BRACKET 53339

SHEET 5 OF 5

<p>1411 S. HAMILTON ST. SULLIVAN, IL 61951 PHONE (217) 728-2581</p> <p>NAME G700 GENERIC SALES DRAWING</p>	FRAME E	I-DEAS
	DATE DRAWN	09/21/05
	DRAWN BY	TB
	SCALE	1 FULL
	REVISION DATE	04-16-12
PART NUMBER	71522	SIZE
		3/4"