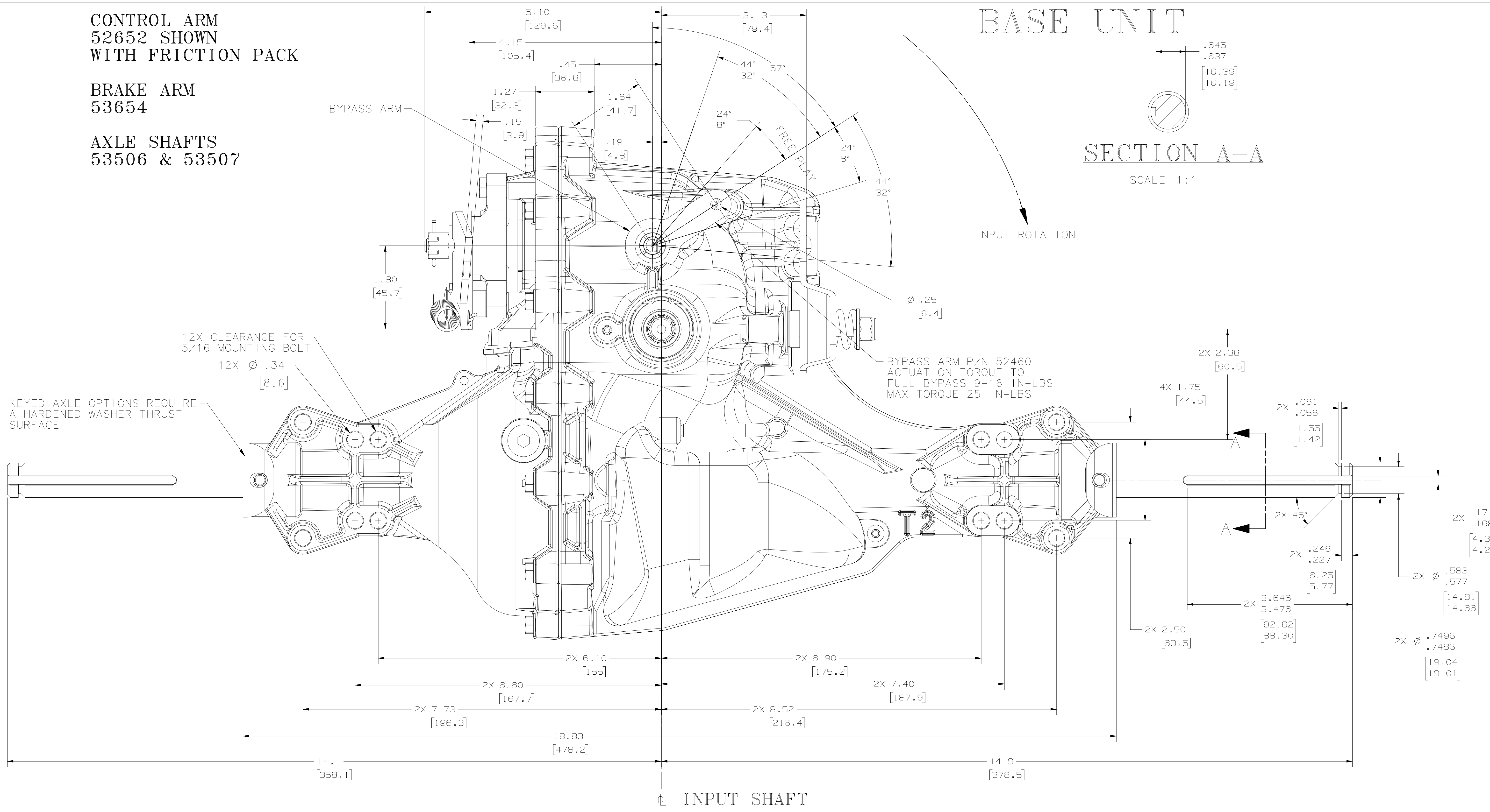
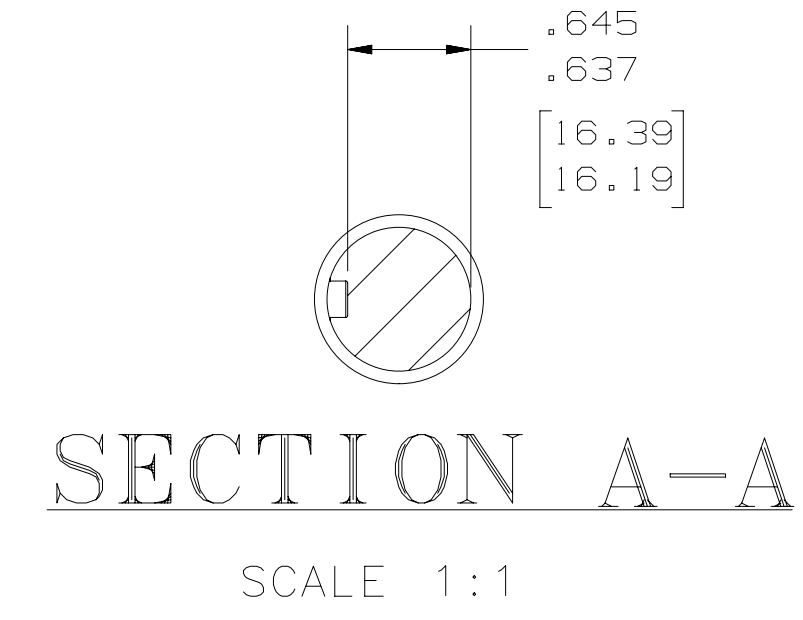


**CONTROL ARM
52652 SHOWN
WITH FRICTION PACK**

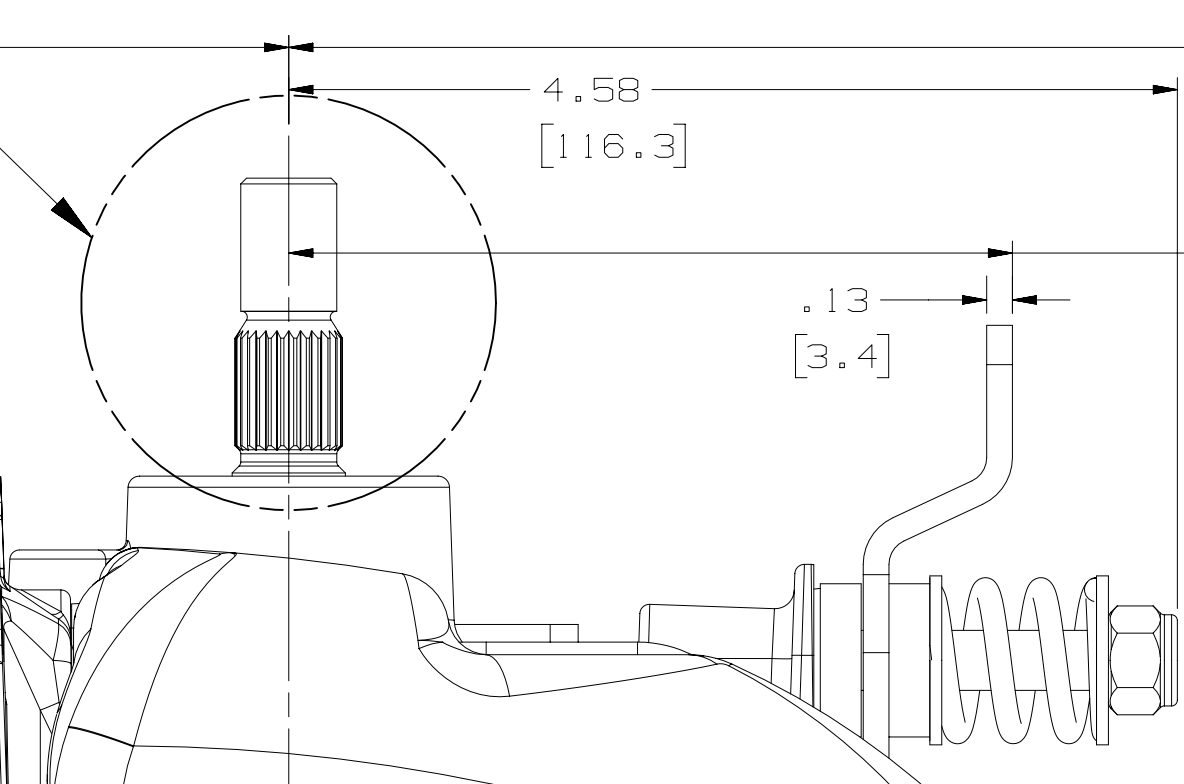
**BRAKE ARM
53654**

**AXLE SHAFTS
53506 & 53507**

BASE UNIT



DETAIL D

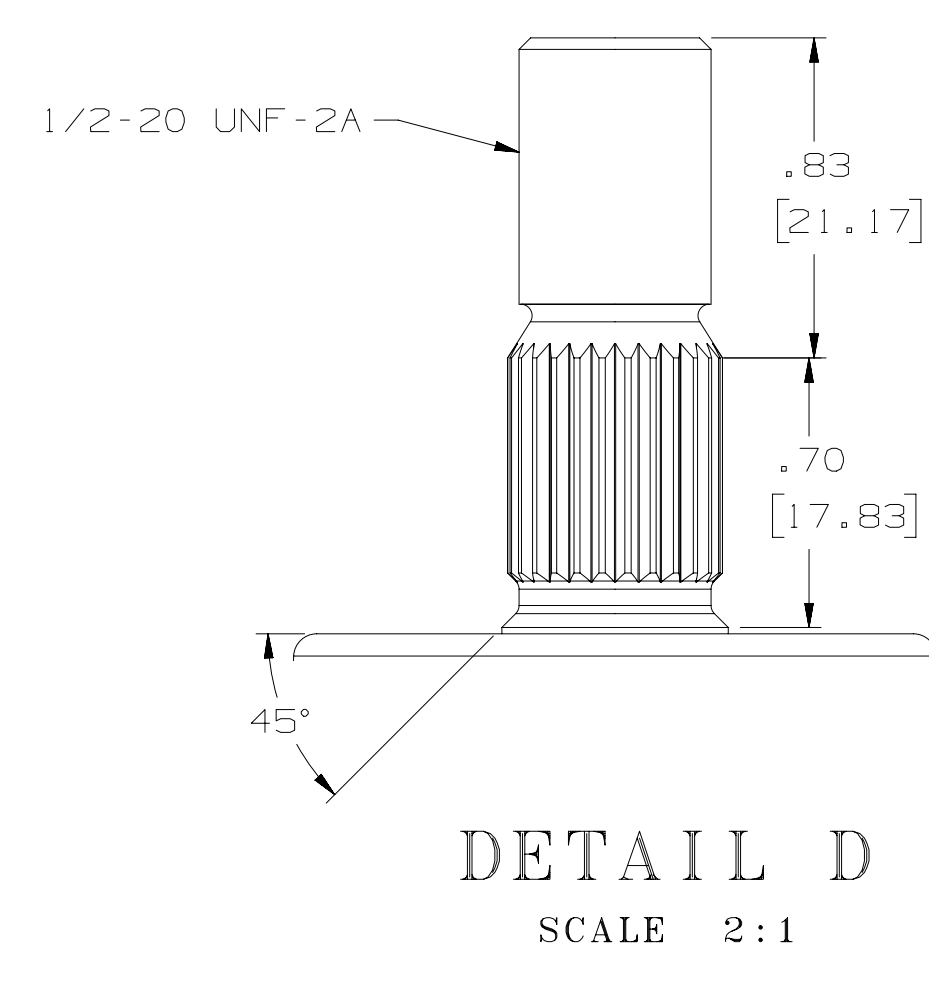
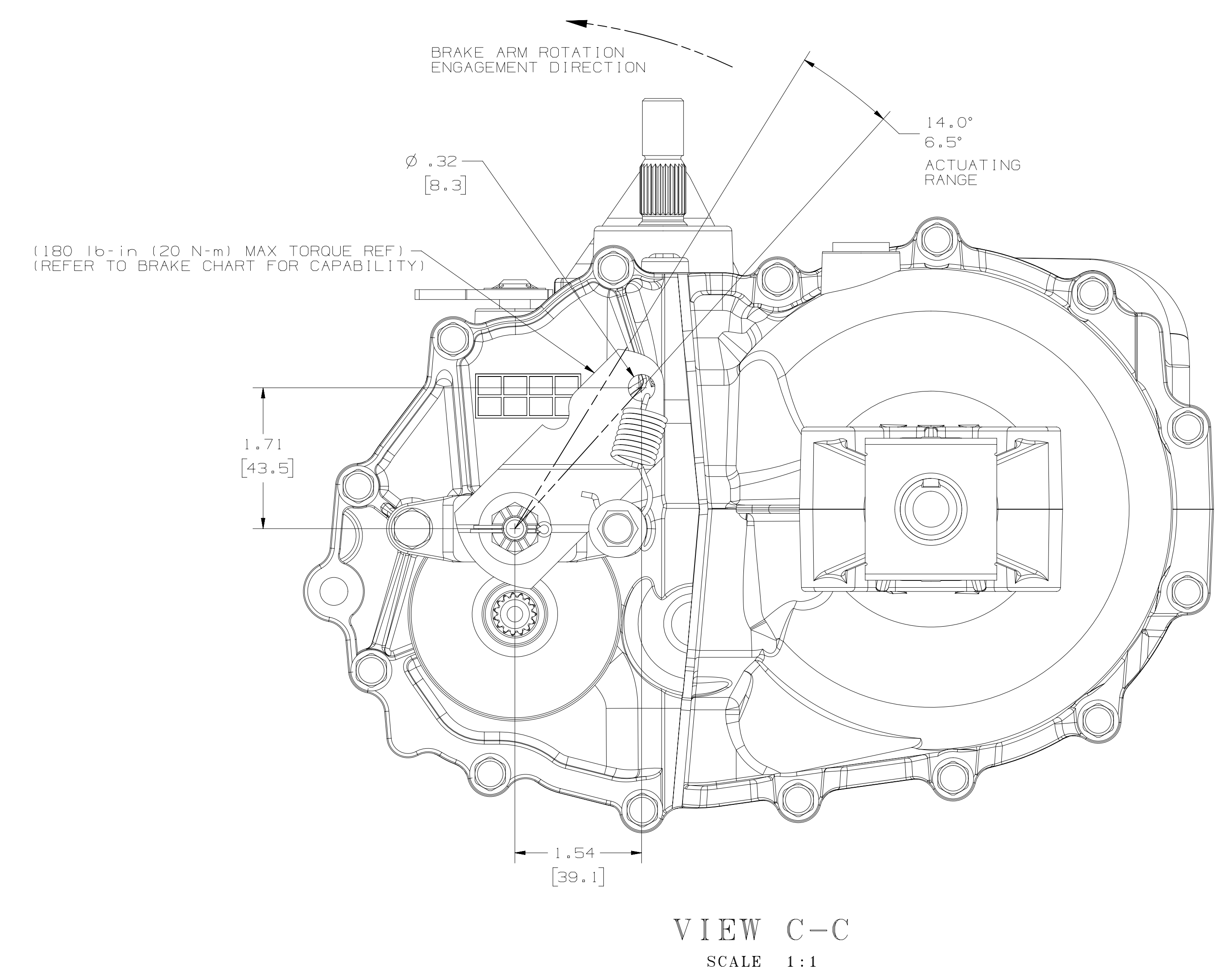
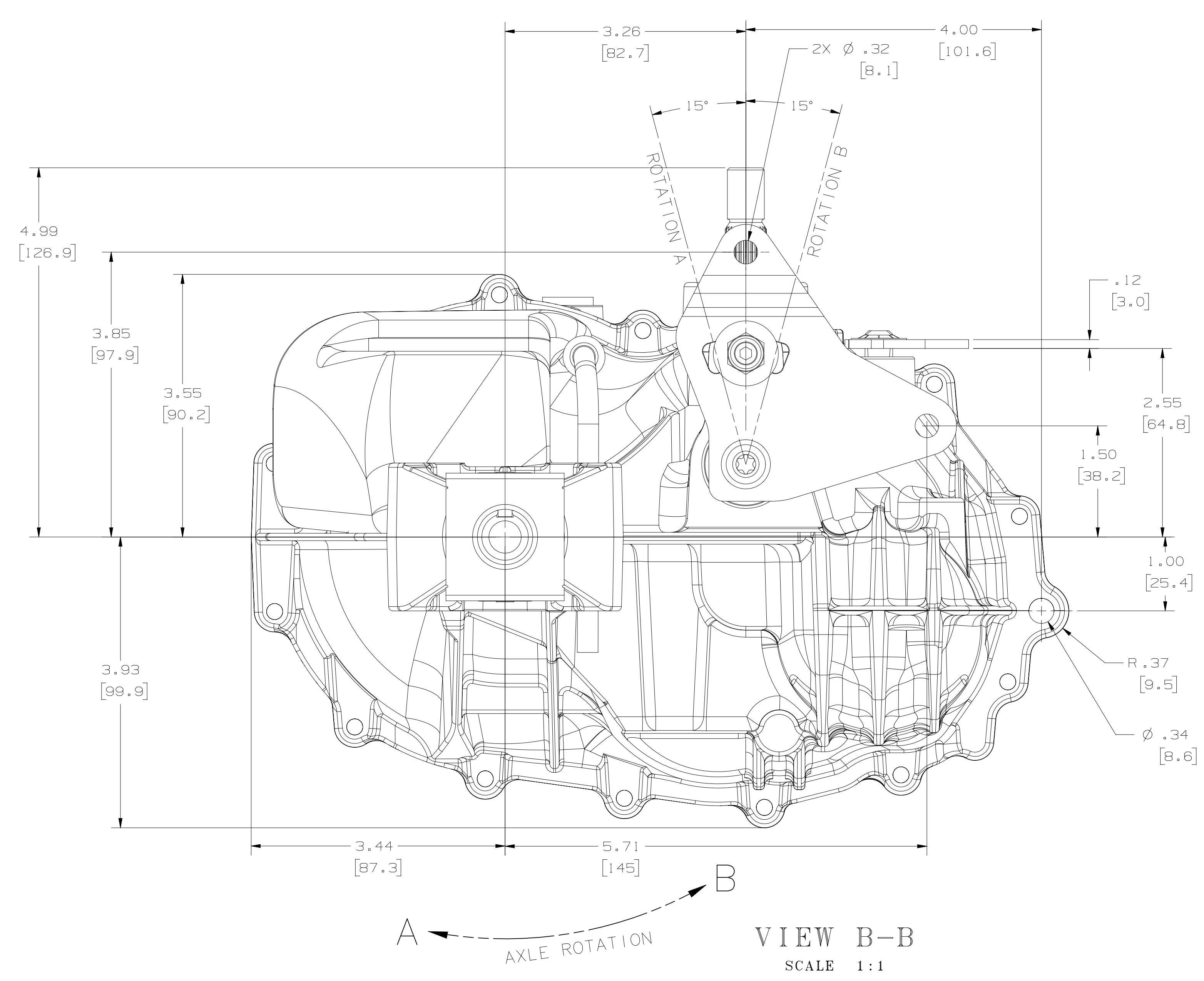


NOTE: MAXIMUM FAN & PULLEY DISTANCE FROM AXLE SHAFT CENTER LINE TO HIGHEST POINT IS 5.92 INCHES FOR SHIPPING IN RETURNABLE PACKAGING.

NOTES :

1. REFERENCE MATERIAL:
MODEL NUMBER CONFIGURATION GUIDE: 72352
BOM CONFIGURATION GUIDE: 72298
PRODUCTION PARTS SCHEMATIC: 72350

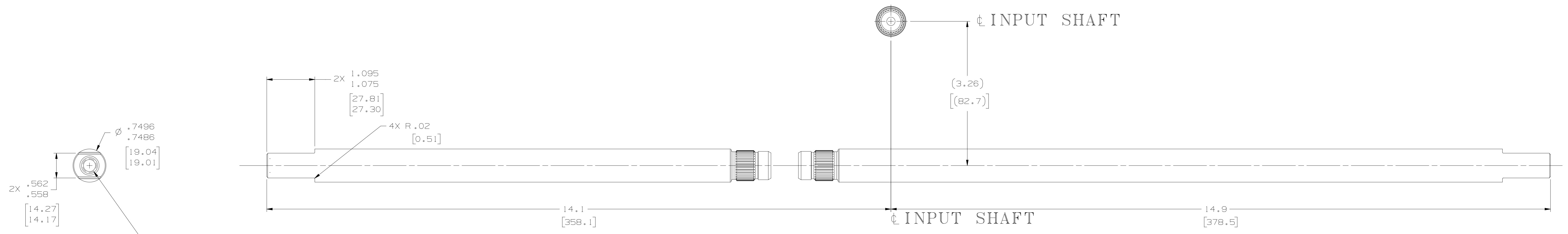
		SIZE E	NX
		DATE DRAWN	08-21-12
1411 S. HAMILTON ST. SULLIVAN, IL 61951 PHONE 12171 728-2561		DRAWN BY	NB
NAME: T3 SALES DRAWING		SCALE	1:1
PART NUMBER 72351		REVISION DATE	03-26-13
		REV	(P)



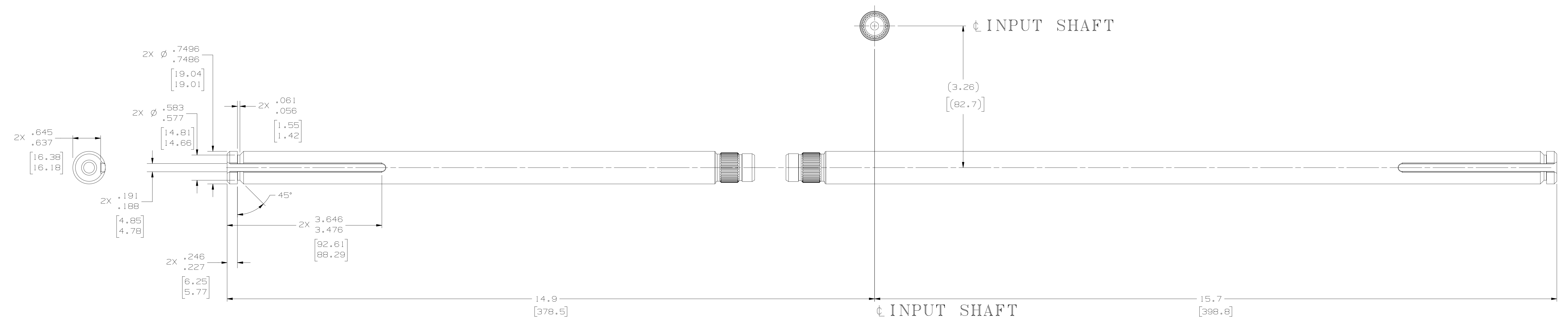
DATA FOR EXTERNAL INVOLUTE SPLINE

ANSI B92.1-1970	TOLERANCE CLASS 7
TYPE OF FIT	FILLET ROOT SIDE
NUMBER OF TEETH	26
SPLINE PITCH	48/96
PRESSURE ANGLE	45°
BASE DIAMETER	.383016 REF
PITCH DIAMETER	.541867 REF
MAJOR DIAMETER	.5627557
FORM DIAMETER	.528
MINOR DIAMETER	.513 MIN
CIRCULAR TOOTH THICKNESS	
MAX EFFECTIVE	.0369
MIN ACTUAL	.0315
FILLET RADIUS	N/A MIN
MIN MOP (Me1)	.6039 REF
PIN DIAMETER	.0400
MATING PART NUMBER	OEM PART

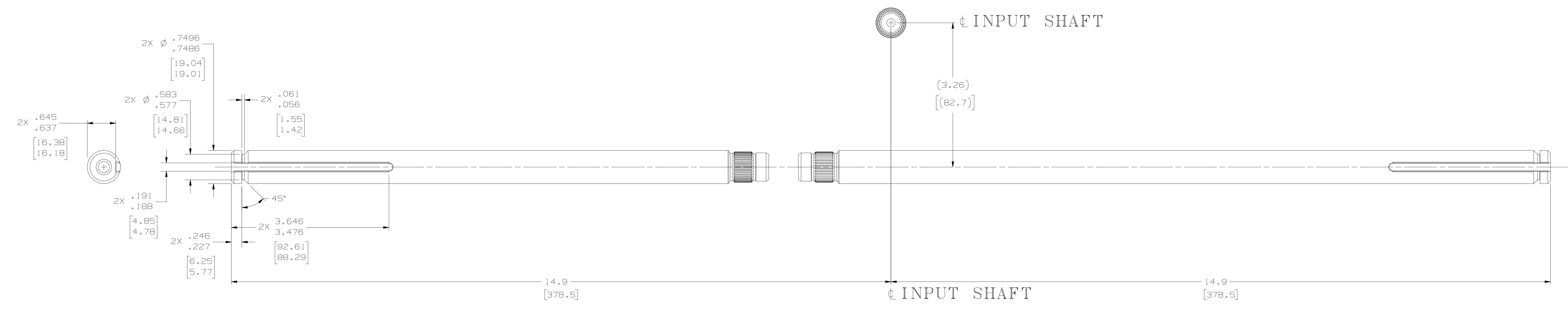
AXLE OPTIONS



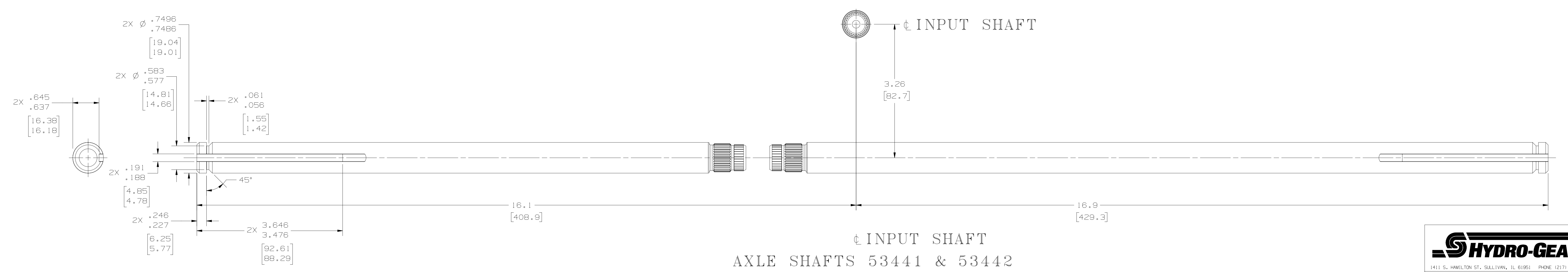
AXLE SHAFTS 51078 & 51079



AXLE SHAFTS 51354 & 51353



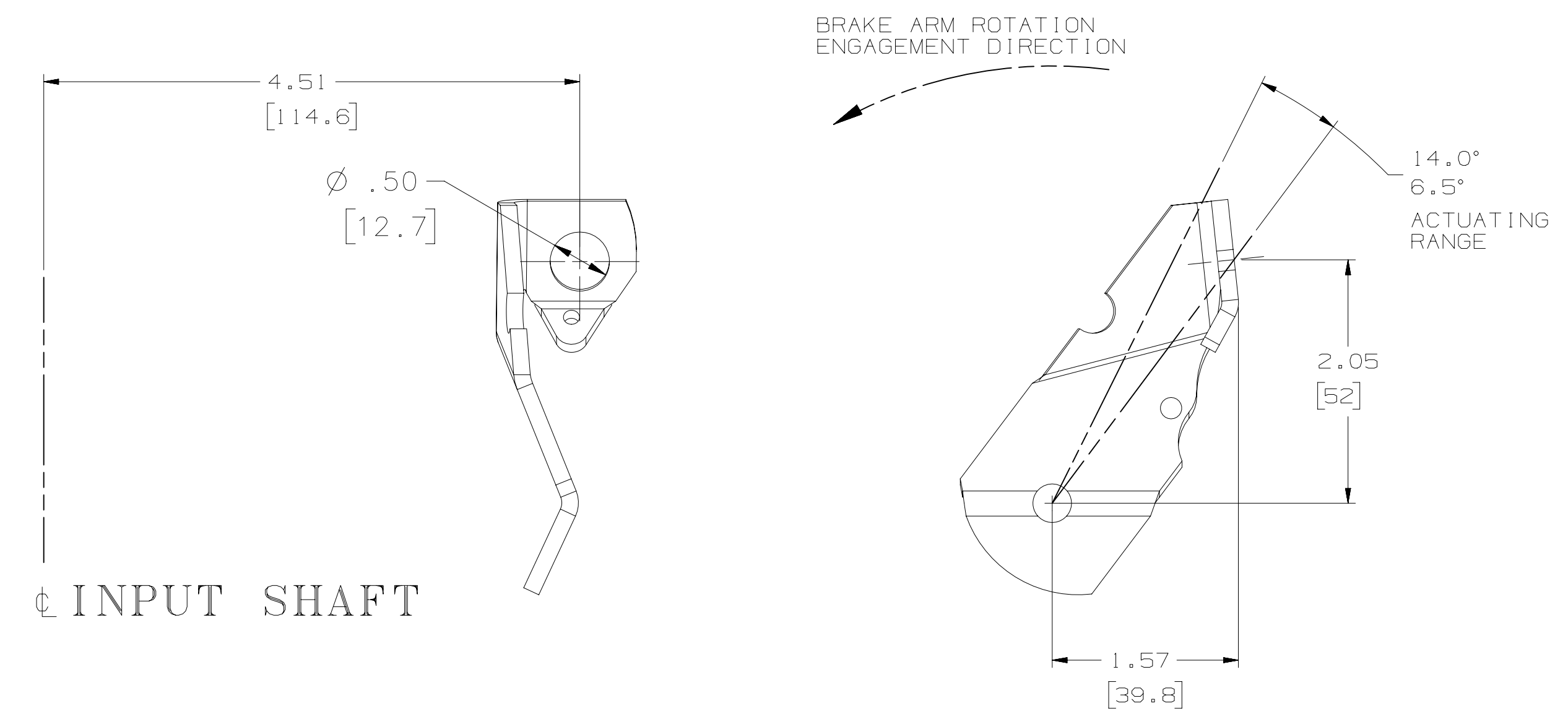
AXLE SHAFTS 51354 & 53506



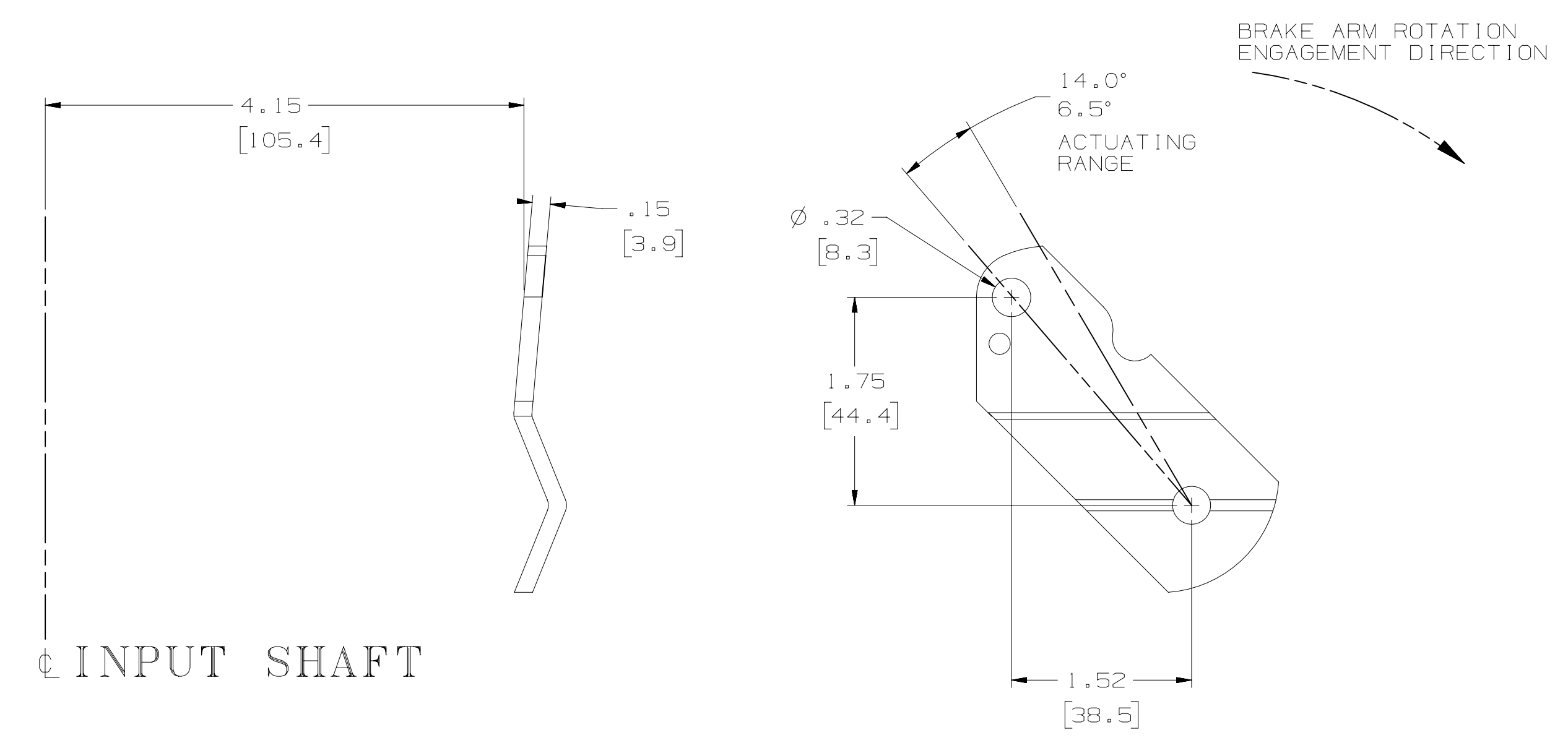
AXLE SHAFTS 53441 & 53442

BRAKE ARM OPTIONS

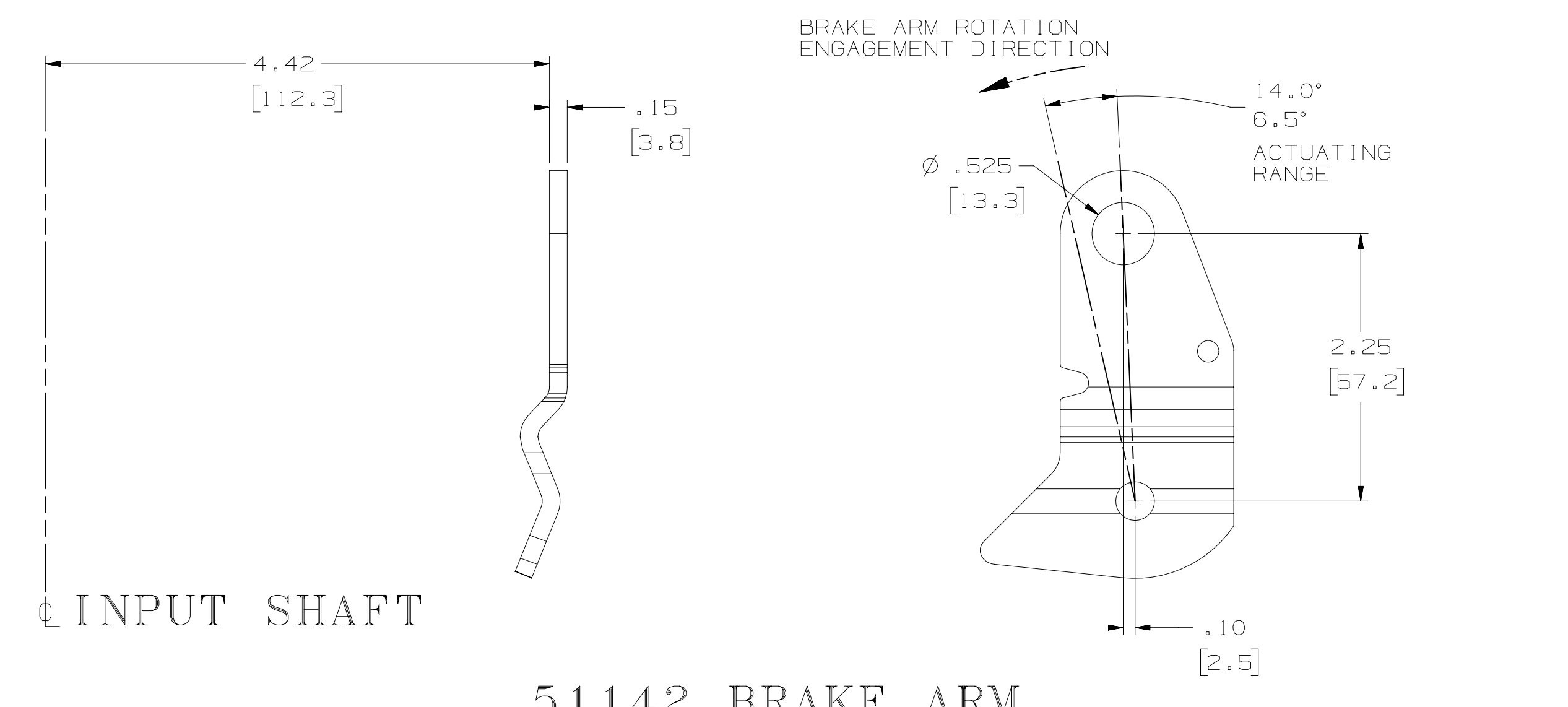
CONTROL ARM OPTIONS



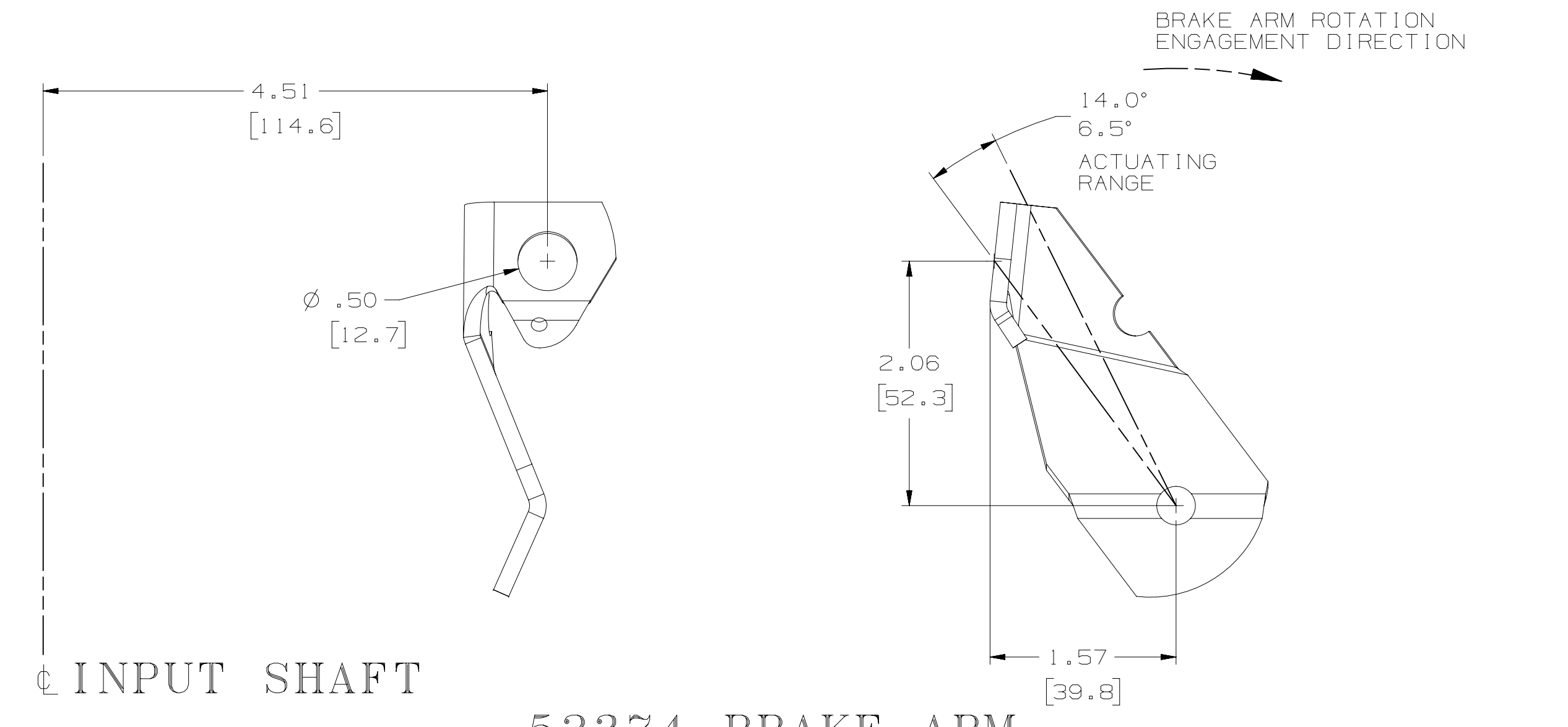
23710 BRAKE ARM
 (180 lb-in (20 N-m) MAX TORQUE REF)
 (REFER TO BRAKE CHART FOR CAPABILITY)



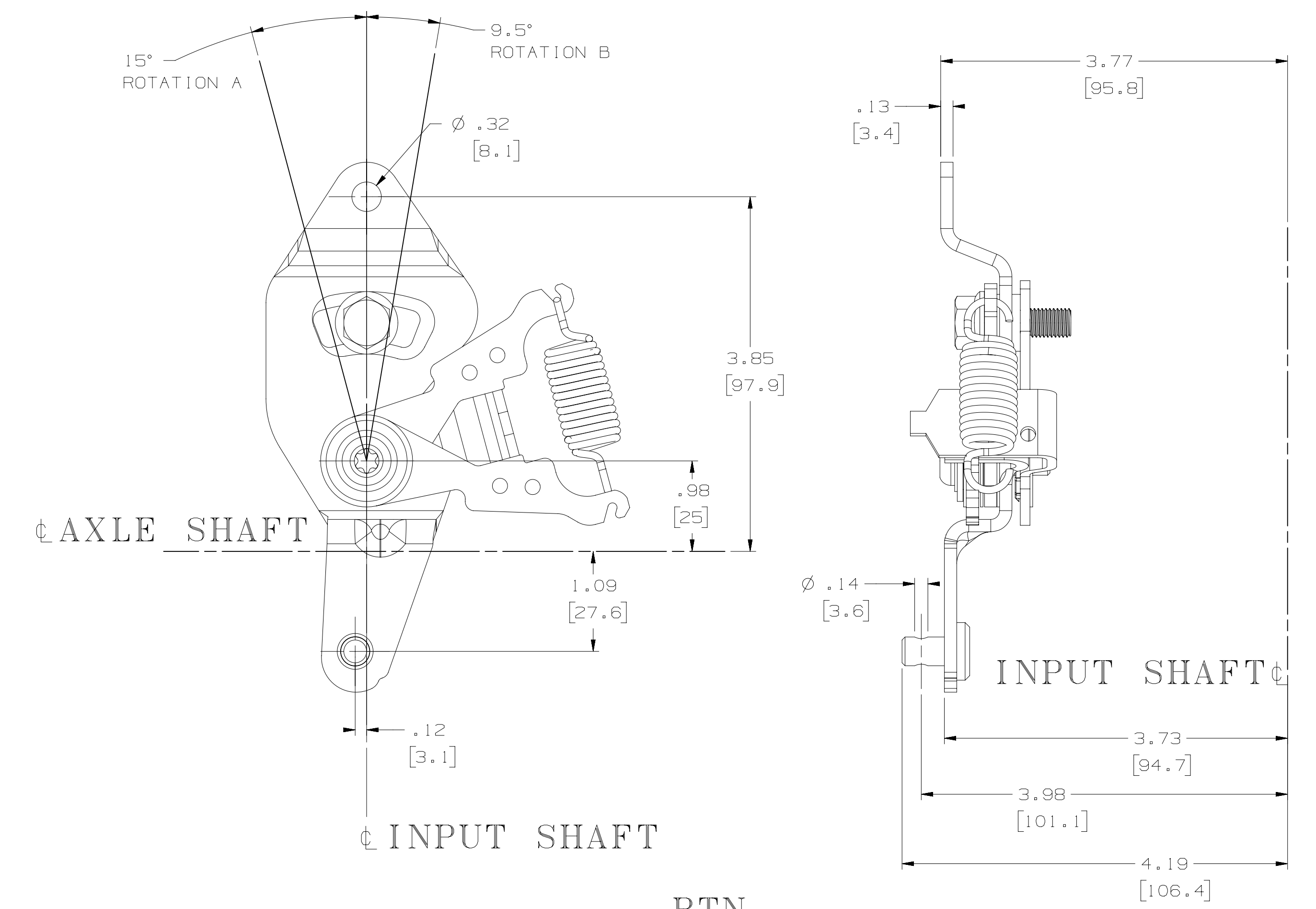
44094 BRAKE ARM
 (180 lb-in (20 N-m) MAX TORQUE REF)
 (REFER TO BRAKE CHART FOR CAPABILITY)



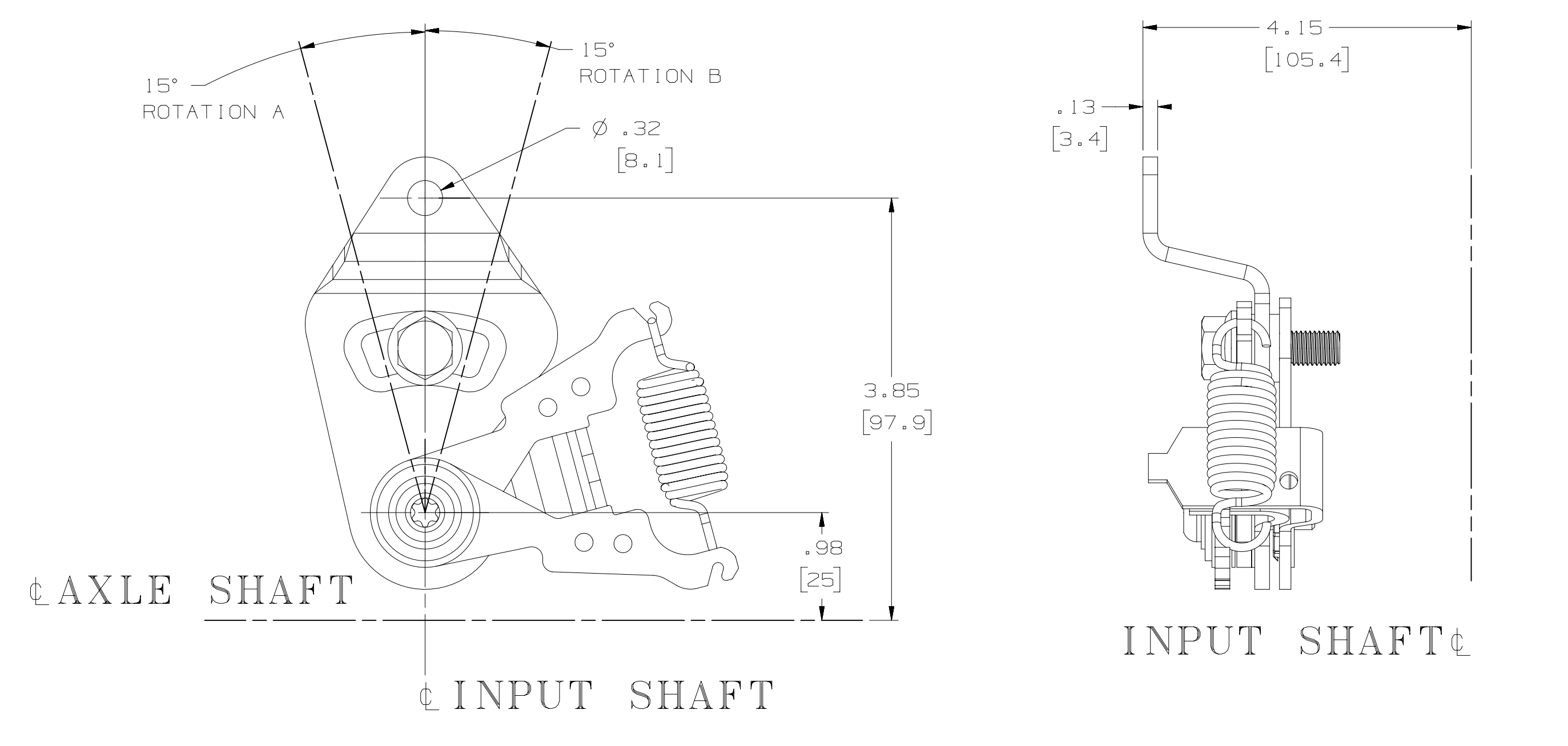
51142 BRAKE ARM
 (180 lb-in (20 N-m) MAX TORQUE REF)
 (REFER TO BRAKE CHART FOR CAPABILITY)



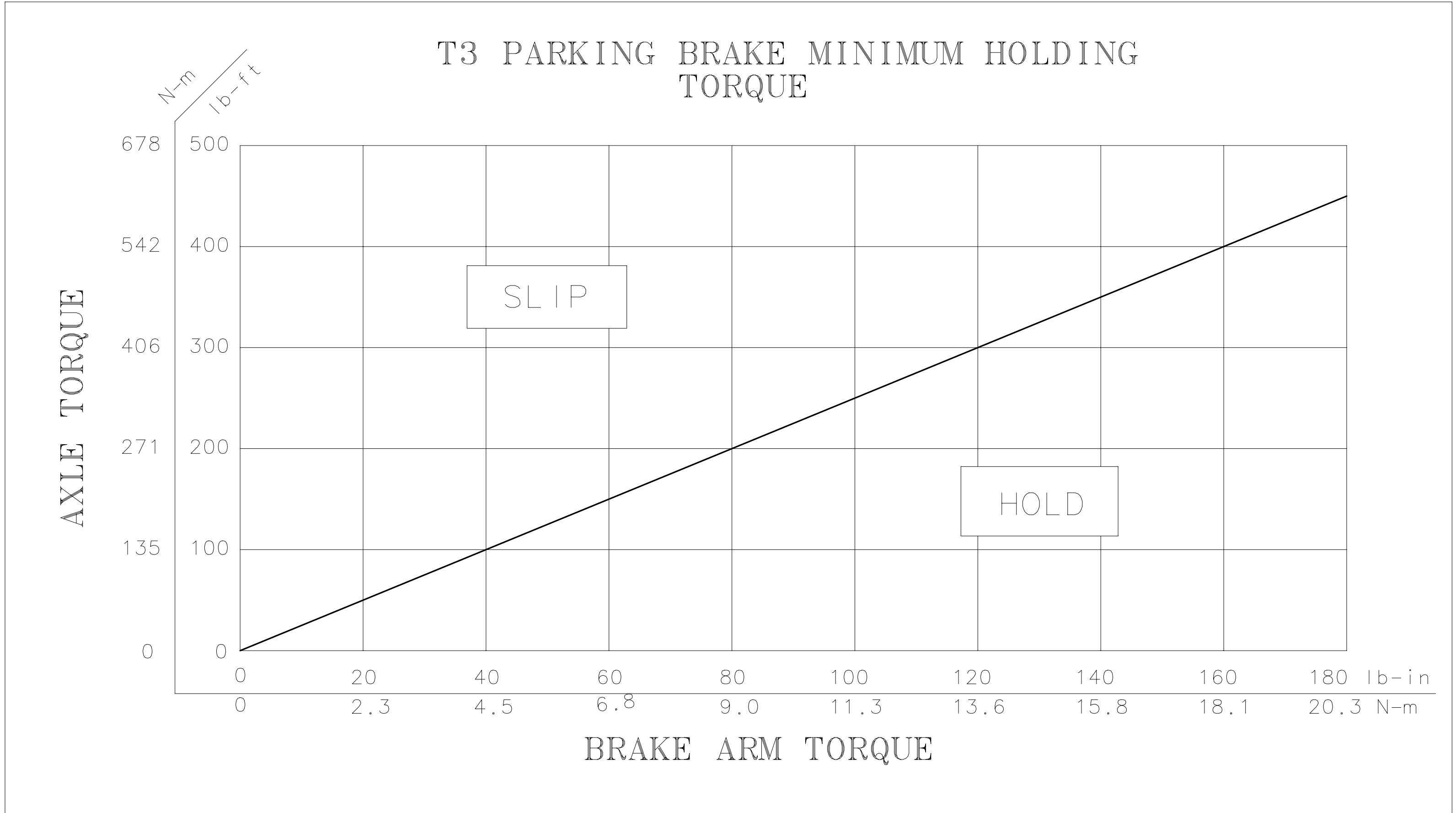
52374 BRAKE ARM
 (180 lb-in (20 N-m) MAX TORQUE REF)
 (REFER TO BRAKE CHART FOR CAPABILITY)



RTN 52823 CONTROL ARM

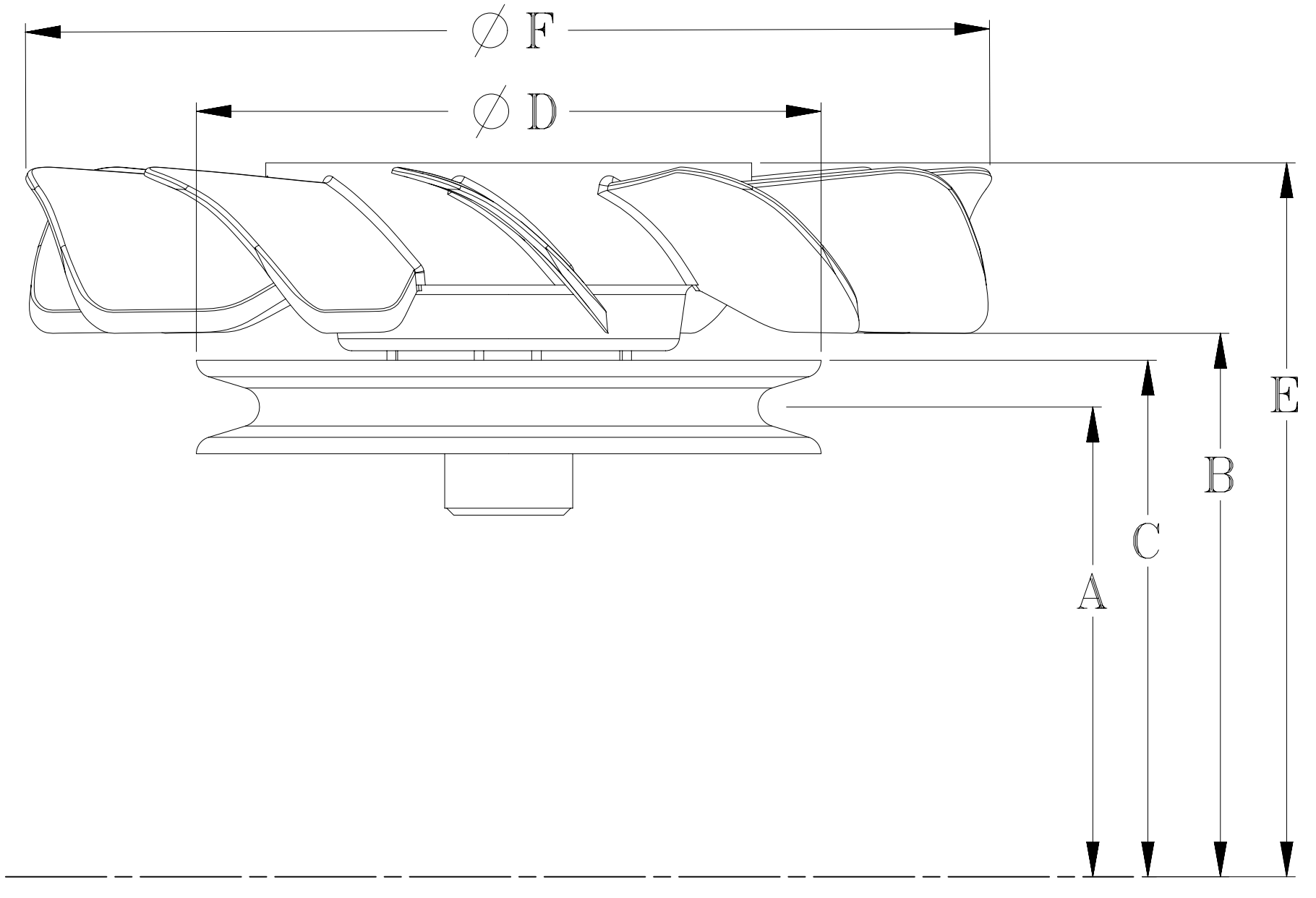


RTN 52478 CONTROL ARM



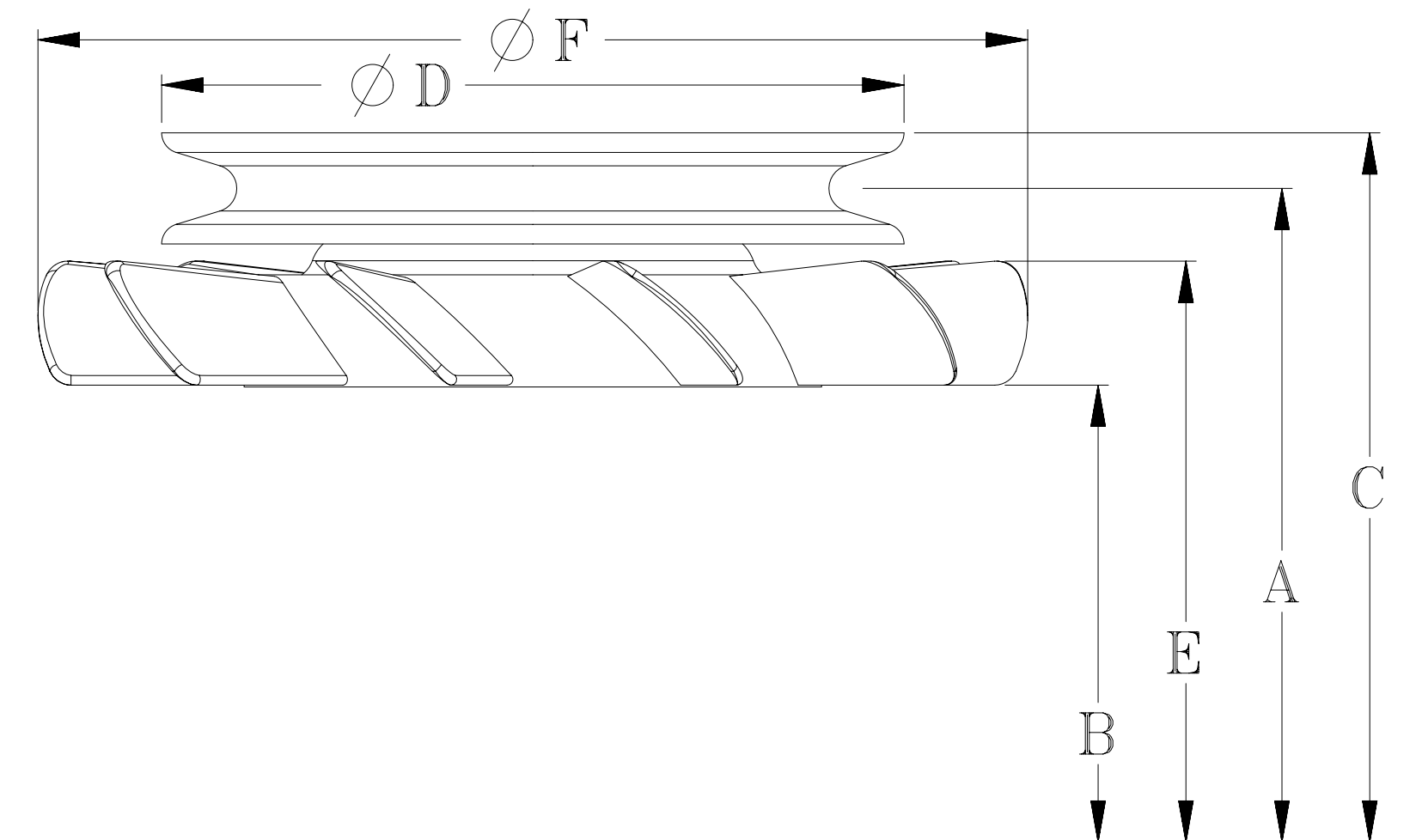
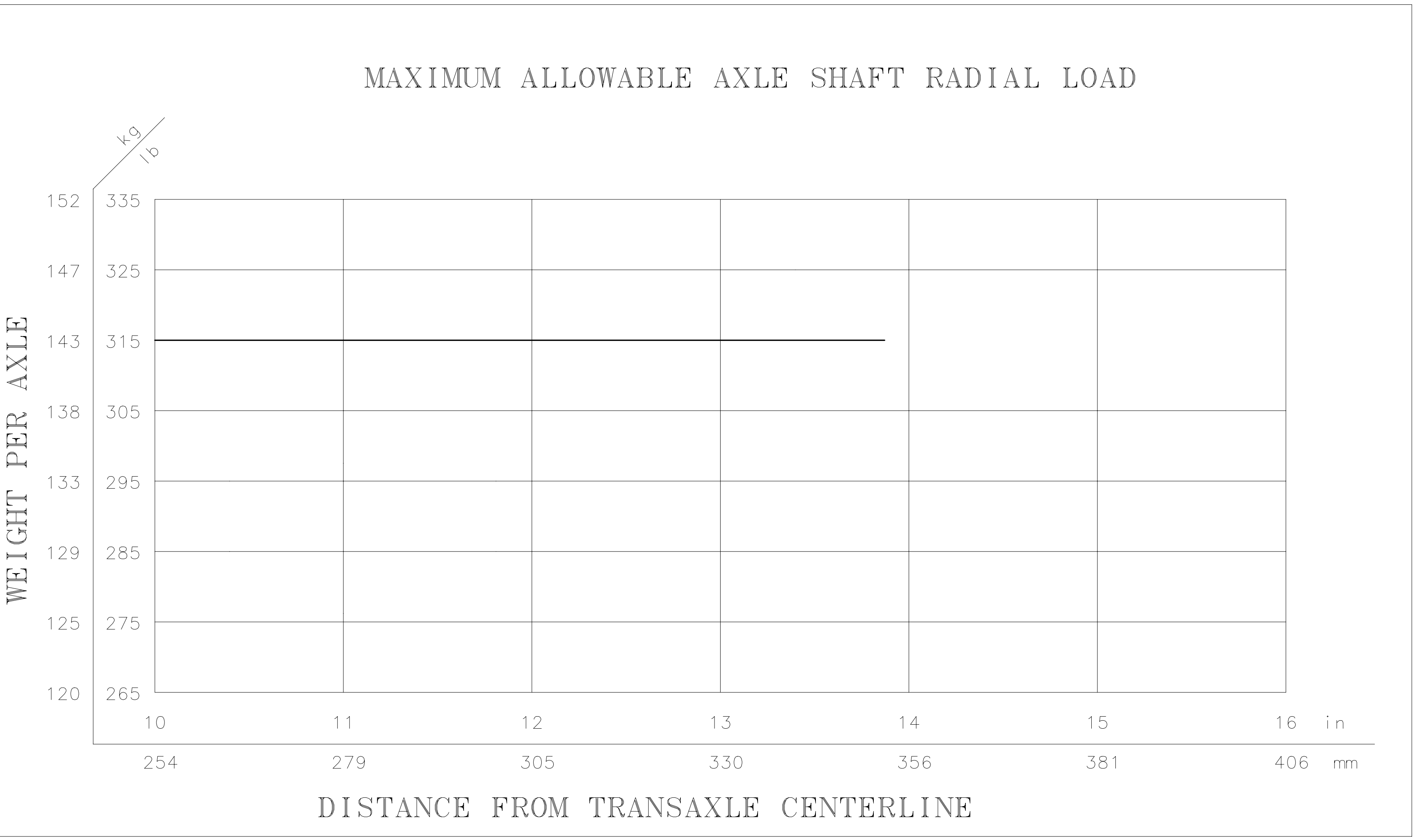
FAN PULLEY OPTIONS

PULLEY SHEAVES ARE "A" CROSS SECTION.



AXLE SHAFT ϕ -----

FAN & PULLEY KIT	CHAR	A	B	C	D	E	F
72126	12-9	4.16 (105.7)	4.69 (119.1)	4.50 (114.3)	Ø4.50 (114.3)	5.92 (150.4)	Ø7.00 (177.8)
72131	12-R	3.66 (93)	4.19 (106.4)	4.00 (101.6)	Ø4.50 (114.3)	5.39 (136.9)	Ø7.00 (177.8)
72294	12-B	3.66 (93)	4.19 (106.4)	4.00 (101.6)	Ø4.00 (101.6)	5.39 (136.9)	Ø7.00 (177.8)
72390	12-F	4.59 (116.6)	5.12 (130)	4.93 (125.2)	Ø4.00 (101.6)	6.01 (152.7)	Ø7.00 (177.8)



AXLE SHAFT ϕ -----

FAN & PULLEY KIT	CHAR	A	B	C	D	E	F
72137	12-3	5.08 (129)	3.94 (100.1)	5.41 (137.4)	Ø4.50 (114.3)	4.70 (119.4)	Ø6.00 (152.4)
72135	12-5	5.08 (129)	3.95 (100.3)	5.43 (137.9)	Ø5.00 (127)	4.56 (115.8)	Ø7.00 (177.8)
72134	12-7	5.08 (129)	3.88 (98.5)	5.43 (137.9)	Ø4.50 (114.3)	4.49 (114)	Ø7.00 (177.8)
72133	12-T	5.08 (129)	3.52 (89.4)	5.43 (137.9)	Ø4.50 (114.3)	4.49 (114)	Ø7.00 (177.8)
72136	12-U	5.08 (129)	3.94 (100.1)	5.41 (137.4)	Ø4.00 (101.6)	4.70 (119.4)	Ø6.00 (152.4)
72138	12-6	4.59 (116.6)	3.40 (86.4)	4.93 (125.2)	Ø4.00 (101.6)	4.15 (105.4)	Ø6.00 (152.4)
72140	12-2	4.59 (116.6)	3.40 (86.4)	4.93 (125.2)	Ø4.50 (114.3)	4.15 (105.4)	Ø6.00 (152.4)

