

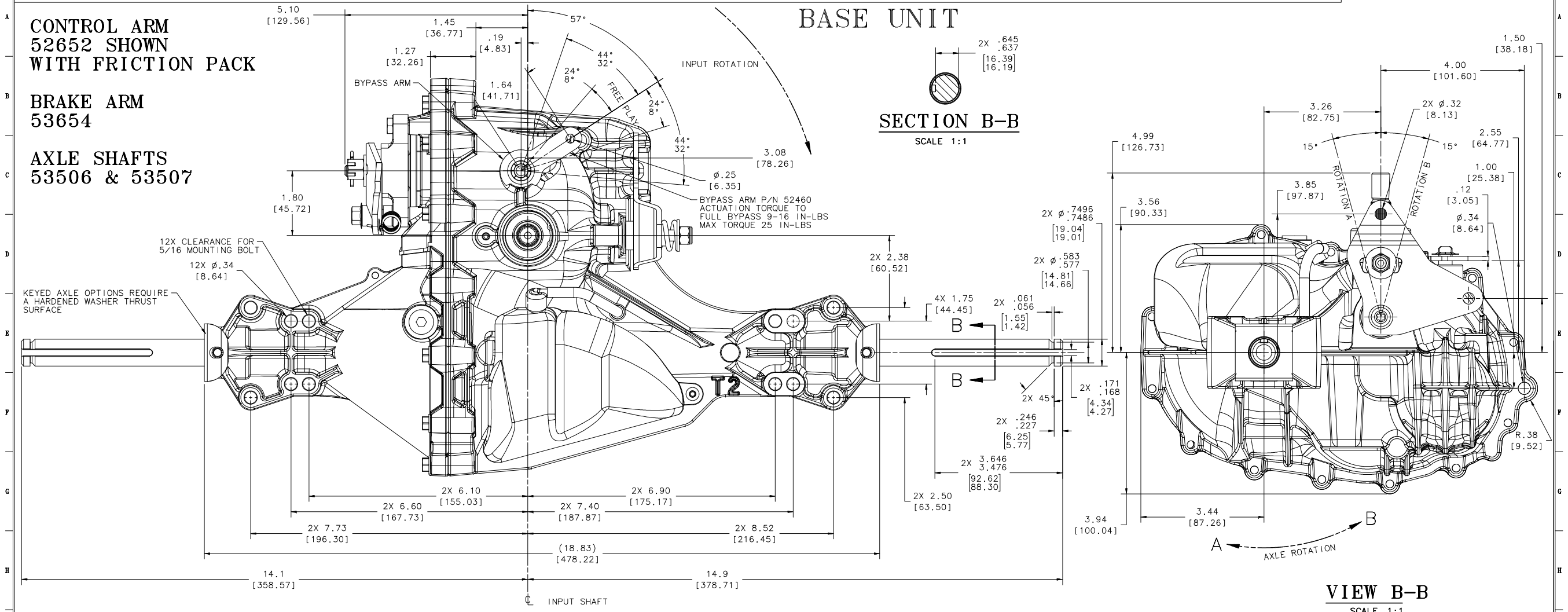
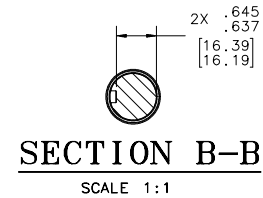
NOTICE - THIS DRAWING CONTAINS HYDRO-GEAR PROPRIETARY INFORMATION. NEITHER RECEIPT NOR POSSESSION THEREOF CONFERS ANY RIGHT TO REPRODUCE, USE, OR DISCLOSE, IN WHOLE OR PART, ANY SUCH INFORMATION WITHOUT WRITTEN AUTHORIZATION FROM HYDRO-GEAR. THE SPECIFICATIONS AND PRODUCT PROFILE DEPICTED HEREIN ARE APPROXIMATE REPRESENTATIONS SUBJECT TO CHANGE WITHOUT NOTICE OR OBLIGATION. CONSULT YOUR HYDRO-GEAR REPRESENTATIVE TO OBTAIN THE ENGINEERING INFORMATION APPROPRIATE TO YOUR APPLICATION.

**CONTROL ARM**  
52652 SHOWN  
WITH FRICTION PACK

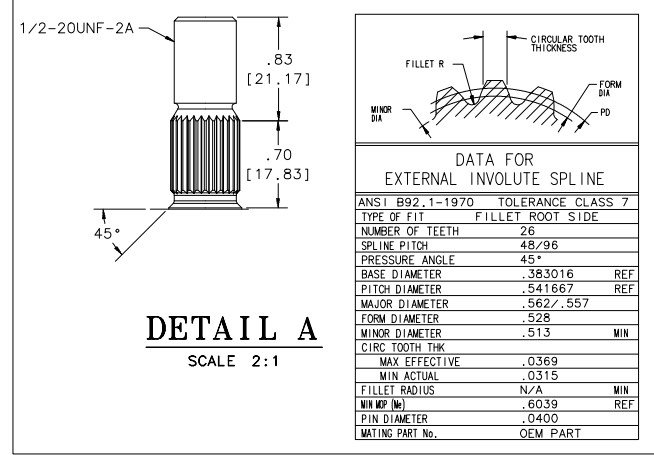
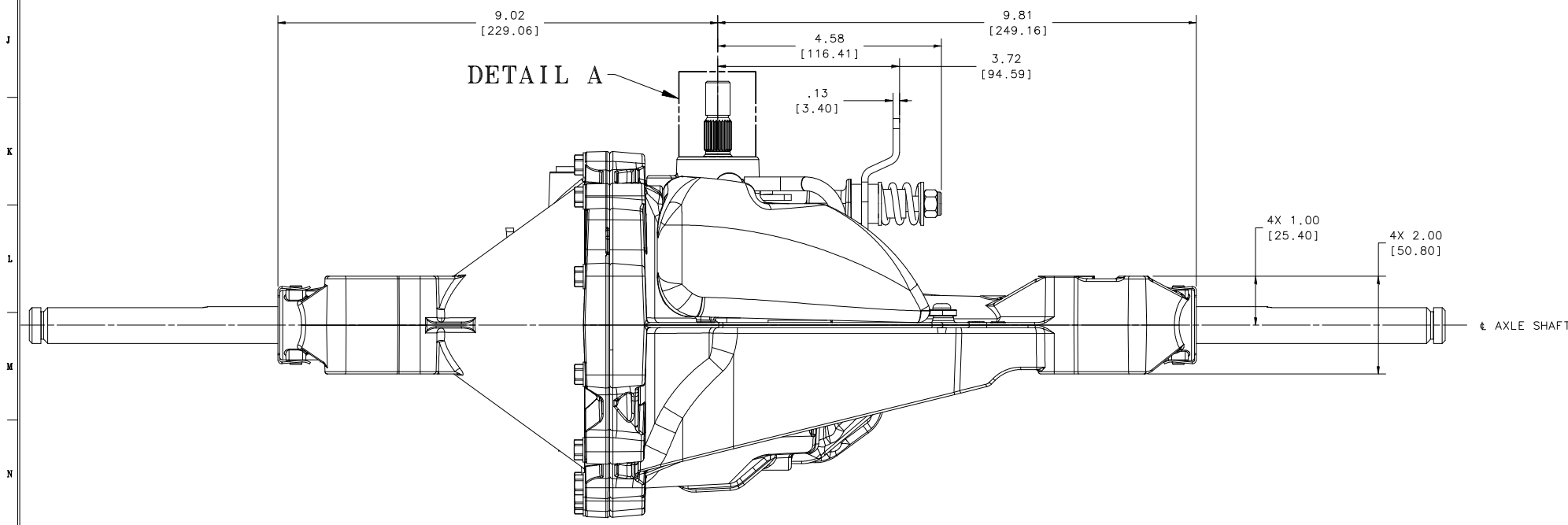
**BRAKE ARM**  
53654

**AXLE SHAFTS**  
53506 & 53507

**BASE UNIT**



**VIEW B-B**  
SCALE 1:1



NOTE: MAXIMUM FAN & PULLEY DISTANCE FROM AXLE SHAFT CENTER LINE TO HIGHEST POINT IS 5.92 INCHES FOR SHIPPING IN RETURNABLE PACKAGING.

**NOTES:**

1. REFERENCE MATERIAL:  
MODEL NUMBER CONFIGURATION GUIDE: 71534  
BOM CONFIGURATION GUIDE: 71535  
PRODUCTION PARTS SCHEMATIC: 71537

SHEET 1 OF 4

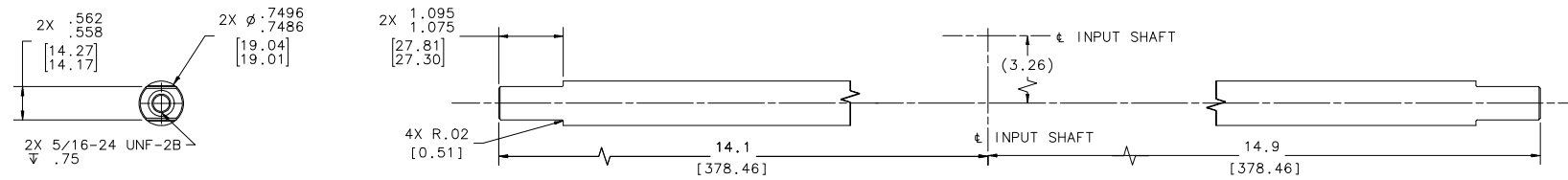
**HYDRO-GEAR**

1411 S. HAMILTON ST., SULLIVAN, IL 61951 PHONE (217) 728-2581

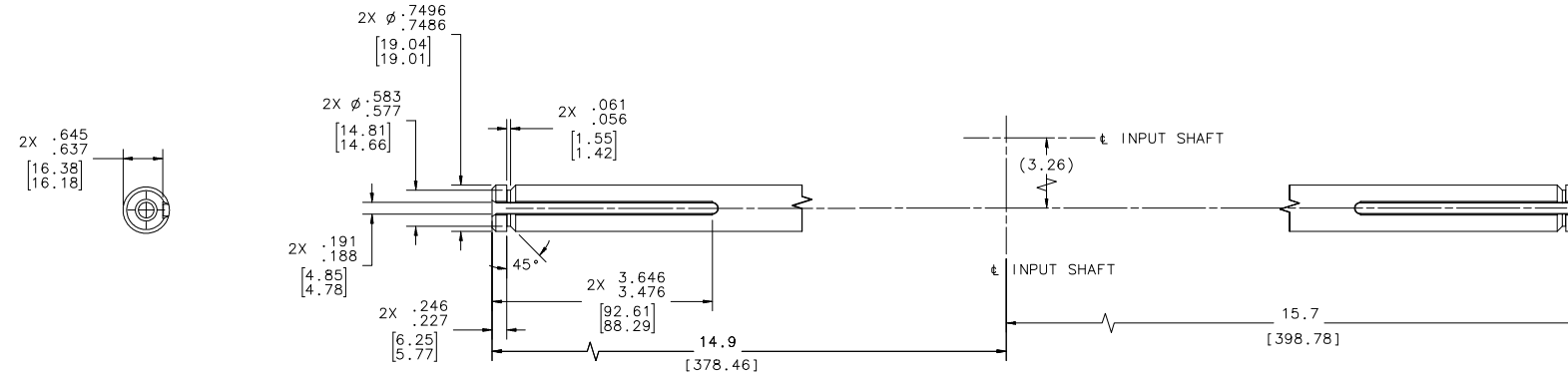
DATE DRAWN	05/15/08
DRAWN BY	GHE
SCALE	FULL
REVISION DATE	09/21/12
PART NUMBER	71536

NOTICE - THIS DRAWING CONTAINS HYDRO-GEAR PROPRIETARY INFORMATION. NEITHER RECEIPT NOR POSSESSION THEREOF CONFERS ANY RIGHT TO REPRODUCE, USE, OR DISCLOSE, IN WHOLE OR PART, ANY SUCH INFORMATION WITHOUT WRITTEN AUTHORIZATION FROM HYDRO-GEAR. THE SPECIFICATIONS AND PRODUCT PROFILE DEPICTED HEREIN ARE APPROXIMATE REPRESENTATIONS SUBJECT TO CHANGE WITHOUT NOTICE OR OBLIGATION. CONSULT YOUR HYDRO-GEAR REPRESENTATIVE TO OBTAIN THE ENGINEERING INFORMATION APPROPRIATE TO YOUR APPLICATION.

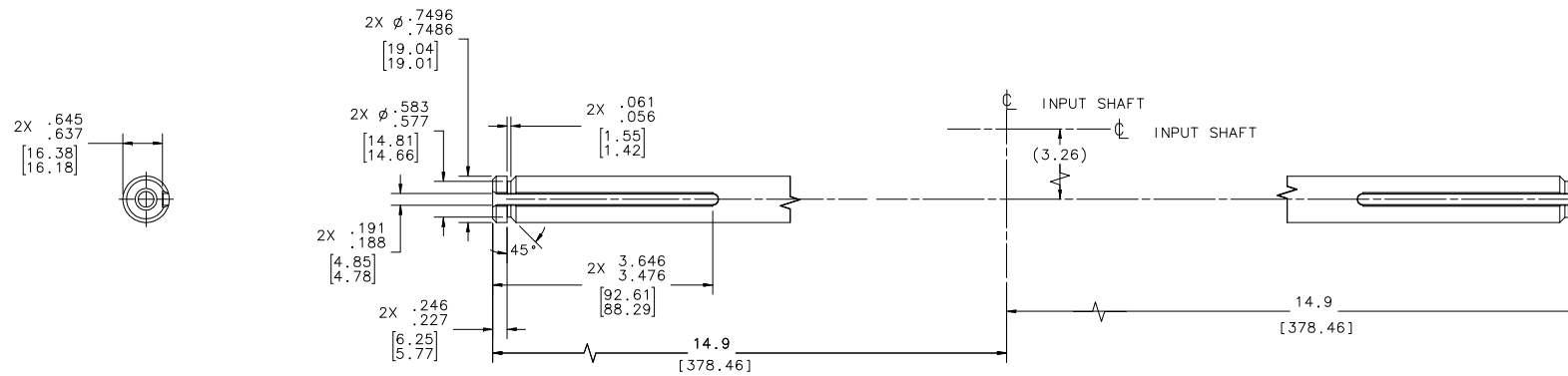
# AXLE OPTIONS



AXLE SHAFTS 51078 & 51079



AXLE SHAFTS 51354 & 51353

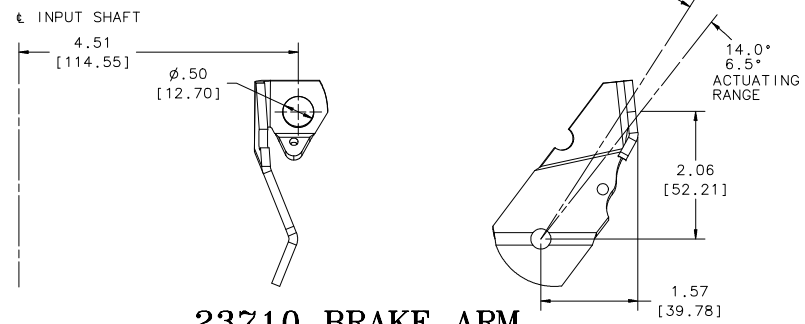


AXLE SHAFTS 51354 & 53506

SHEET 2 OF 4

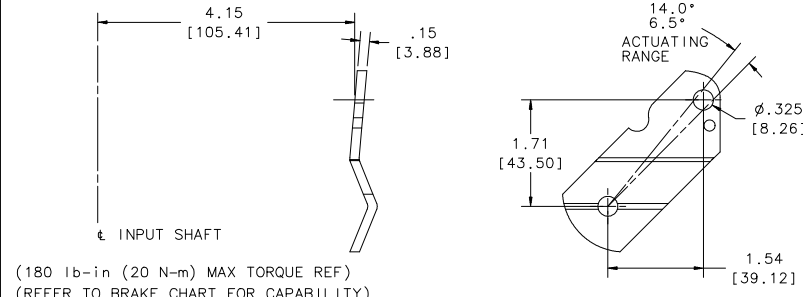
 1411 S. HAMILTON ST., SULLIVAN, IL 61951 PHONE (217) 728-2581	FRAME E	1-DEAS
	DATE DRAWN	05/15/08
	DRAWN BY	GHE
	SCALE	FULL
NAME T2 SALES DRAWING	REVISION DATE	09/21/12
PART NUMBER	71536	

## BRAKE ARM OPTIONS



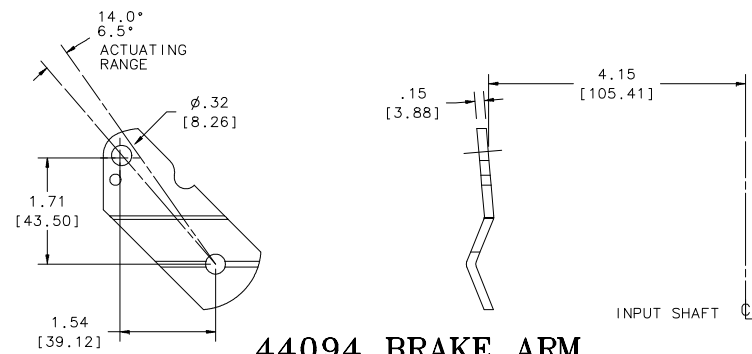
**23710 BRAKE ARM**

(180 lb-in (20 N-m) MAX TORQUE REF)  
(REFER TO BRAKE CHART FOR CAPABILITY)



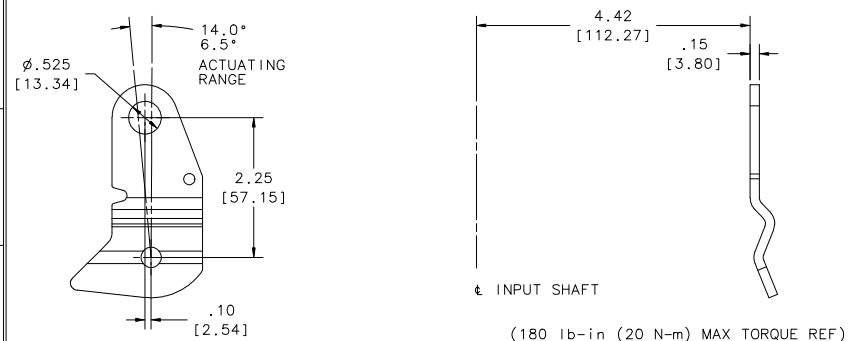
**53654 BRAKE ARM**

(180 lb-in (20 N-m) MAX TORQUE REF)  
(REFER TO BRAKE CHART FOR CAPABILITY)



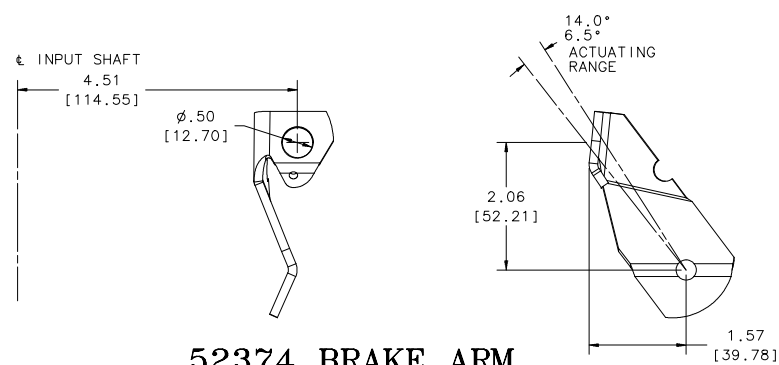
**44094 BRAKE ARM**

(180 lb-in (20 N-m) MAX TORQUE REF)  
(REFER TO BRAKE CHART FOR CAPABILITY)



**51142 BRAKE ARM**

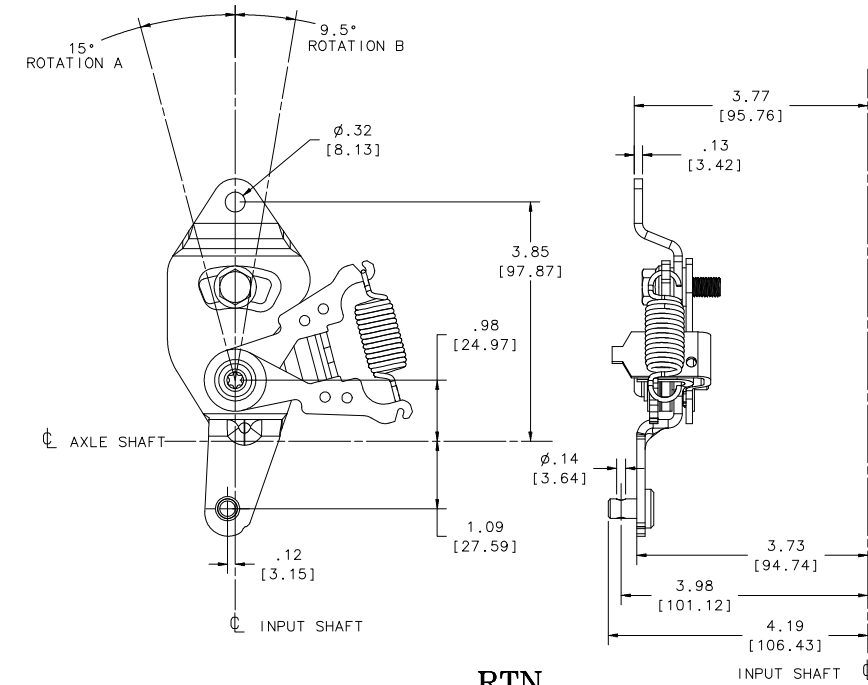
(180 lb-in (20 N-m) MAX TORQUE REF)  
(REFER TO BRAKE CHART FOR CAPABILITY)



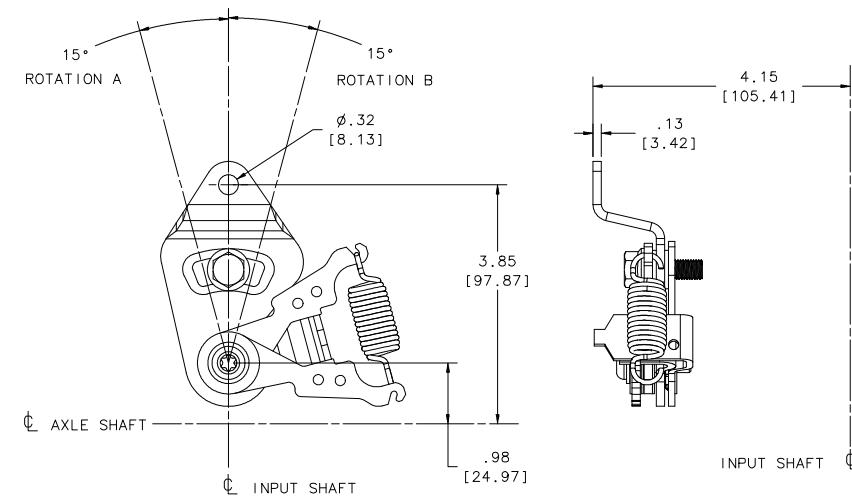
**52374 BRAKE ARM**

(180 lb-in (20 N-m) MAX TORQUE REF)  
(REFER TO BRAKE CHART FOR CAPABILITY)

## CONTROL ARM OPTIONS

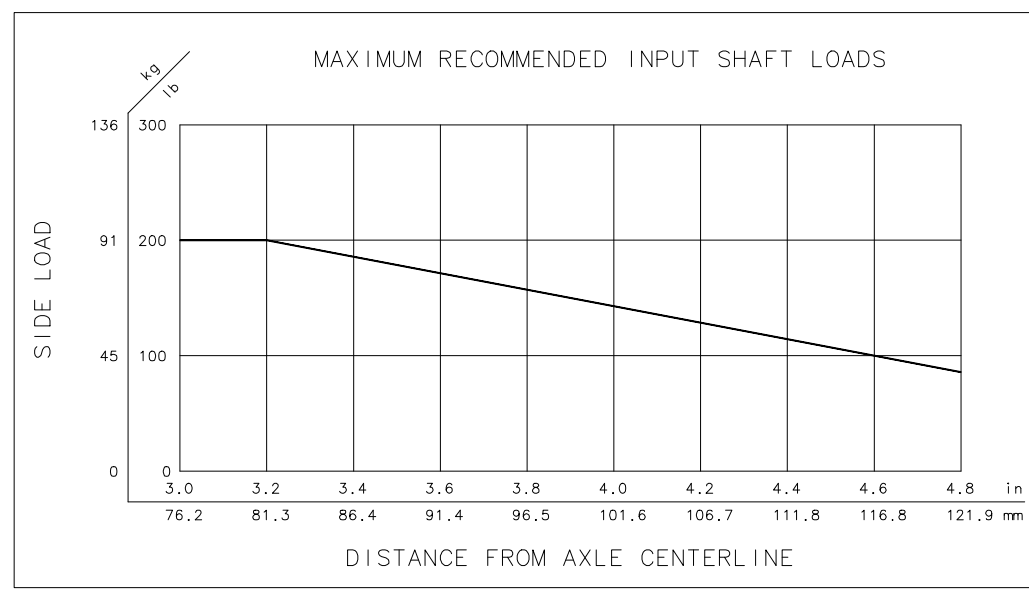
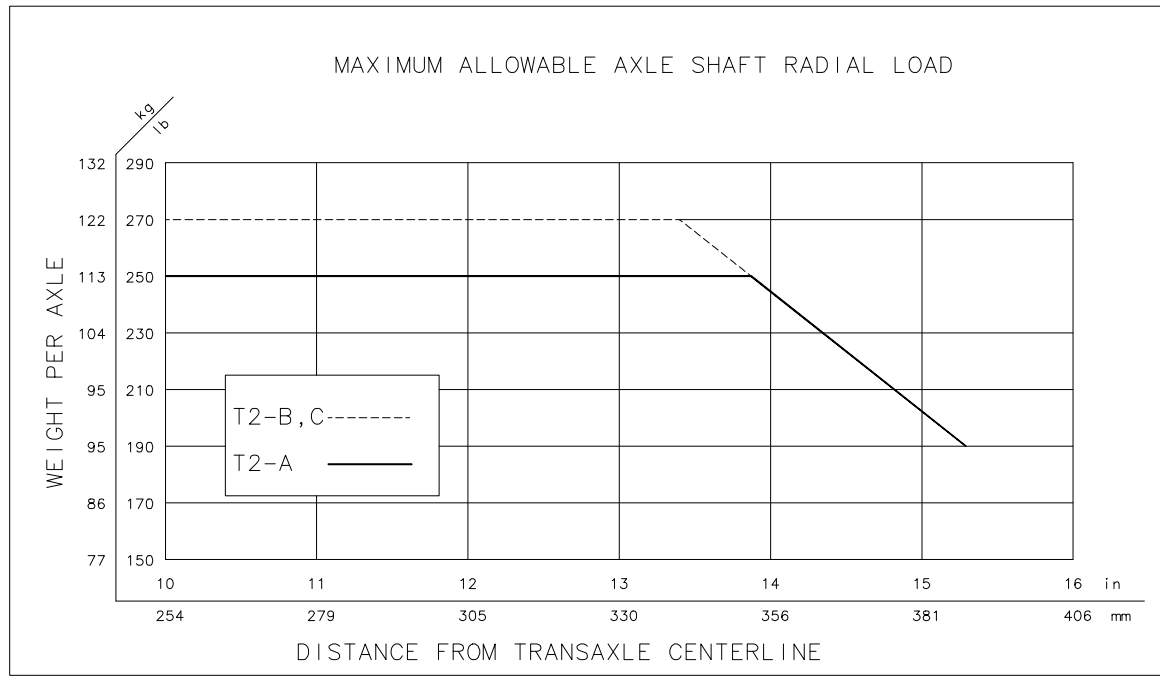
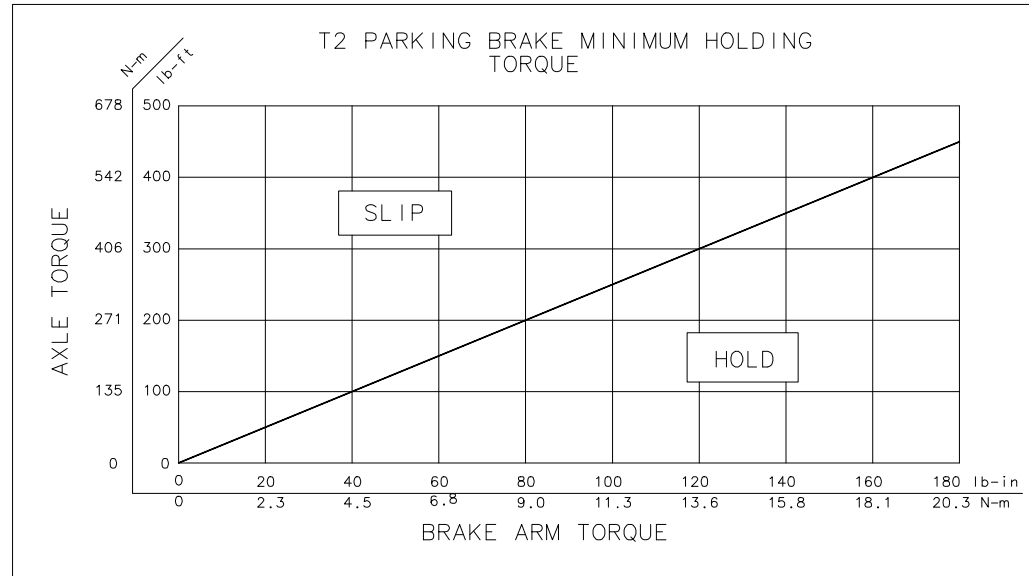


**RTN  
52823 CONTROL ARM**

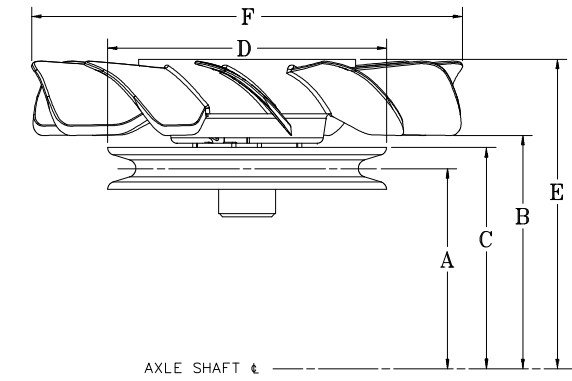


**RTN  
52478 CONTROL ARM**

NOTICE - THIS DRAWING CONTAINS HYDRO-GEAR PROPRIETARY INFORMATION. NEITHER RECEIPT NOR POSSESSION THEREOF CONFERS ANY RIGHT TO REPRODUCE, USE, OR DISCLOSE, IN WHOLE OR PART, ANY SUCH INFORMATION WITHOUT WRITTEN AUTHORIZATION FROM HYDRO-GEAR. THE SPECIFICATIONS AND PRODUCT PROFILE DEPICTED HEREIN ARE APPROXIMATE REPRESENTATIONS SUBJECT TO CHANGE WITHOUT NOTICE OR OBLIGATION. CONSULT YOUR HYDRO-GEAR REPRESENTATIVE TO OBTAIN THE ENGINEERING INFORMATION APPROPRIATE TO YOUR APPLICATION.

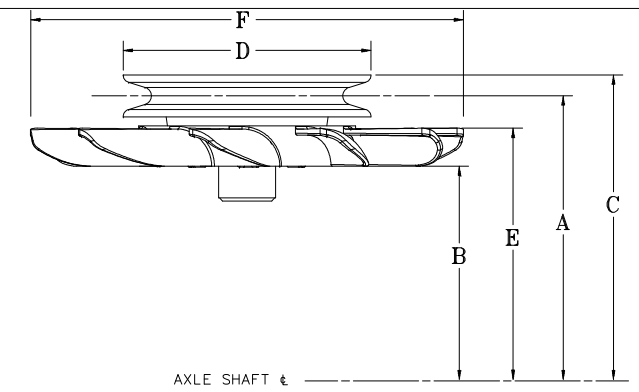


### FAN PULLEY OPTIONS

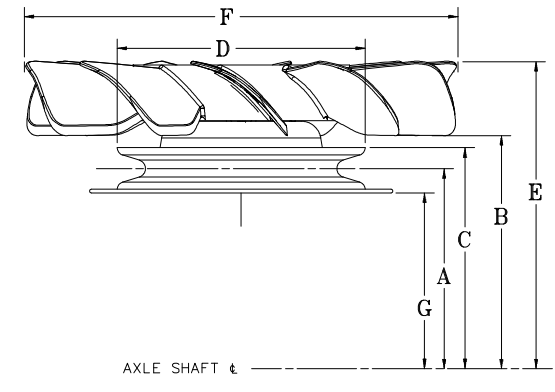


PULLEY SHEAVES ARE "A" CROSS SECTION.

FAN & PULLEY KIT	CHAR	A	B	C	D	E	F
72126	12-9	4.16	4.69	4.50	ø4.50	5.92	ø7.00
72131	12-R	3.66	4.19	4.00	ø4.50	5.39	ø7.00



FAN & PULLEY KIT	CHAR	A	B	C	D	E	F
72137	12-3	5.08	3.94	5.41	ø4.50	4.70	ø6.00
72135	12-5	5.08	3.95	5.43	ø5.00	4.56	ø7.00
72134	12-7	5.08	3.88	5.43	ø4.50	4.49	ø7.00
72133	12-T	5.08	3.52	5.43	ø4.50	4.49	ø7.00
72136	12-U	5.08	3.94	5.41	ø4.00	4.70	ø6.00
72138	12-6	4.59	3.40	4.93	ø4.00	4.15	ø6.00
72140	12-2	4.59	3.40	4.93	ø4.50	4.15	ø6.00



FAN & PULLEY KIT	CHAR	A	B	C	D	E	F	G
72294 (BELT KEEPER)	12-8	3.66	4.19	4.00	ø4.00	5.39	ø7.00	3.27