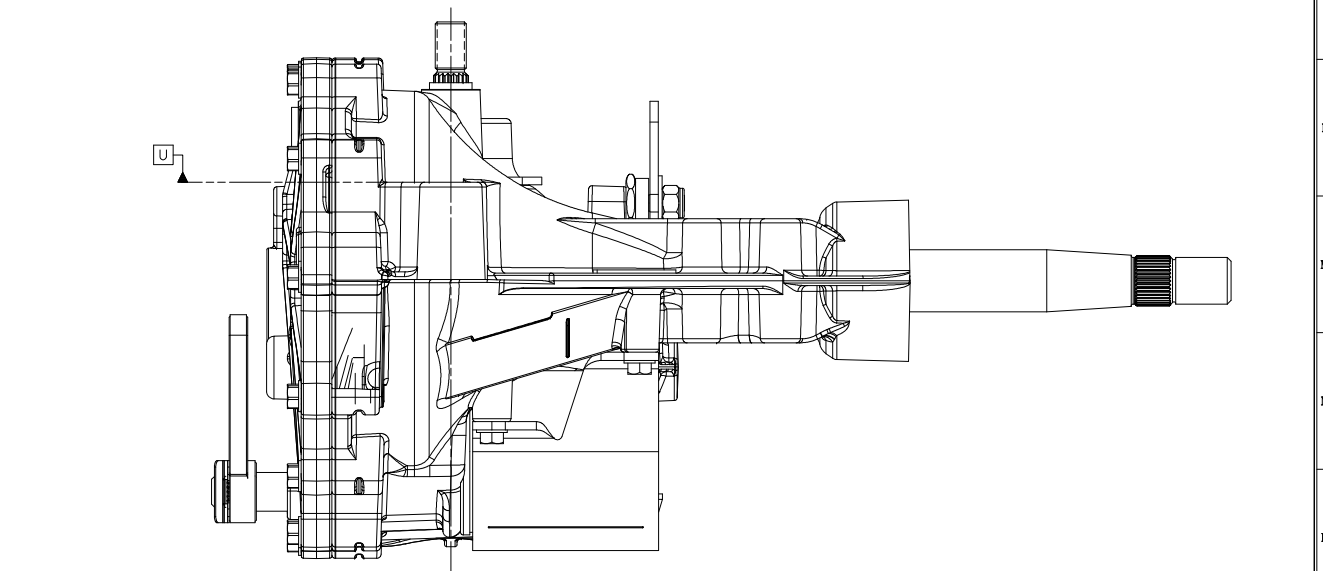
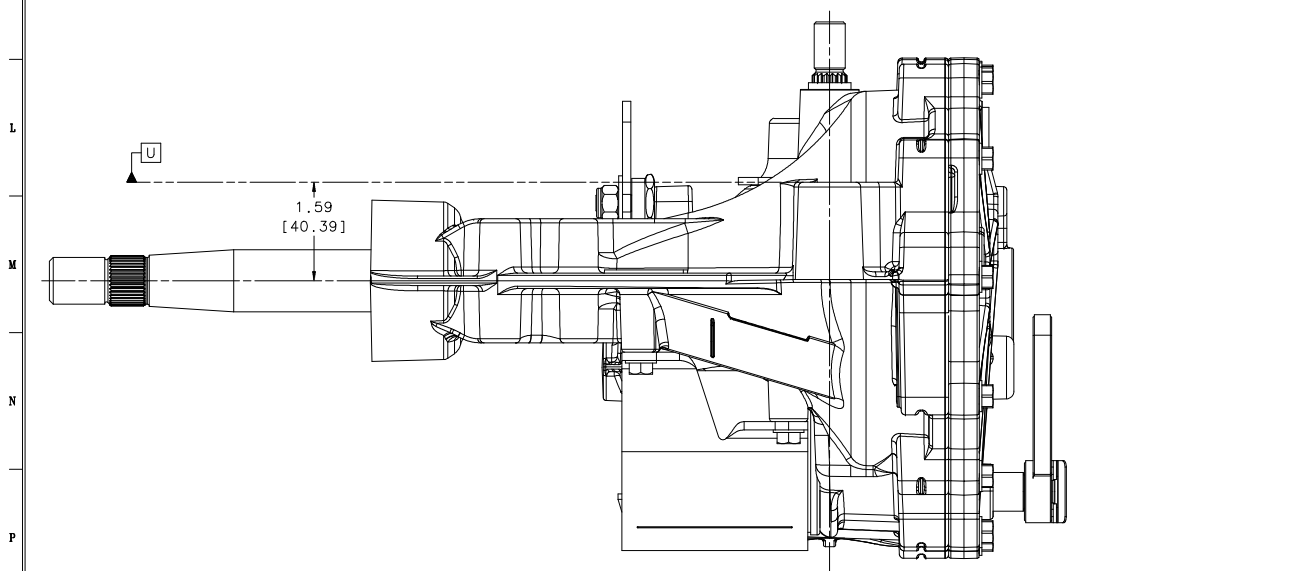
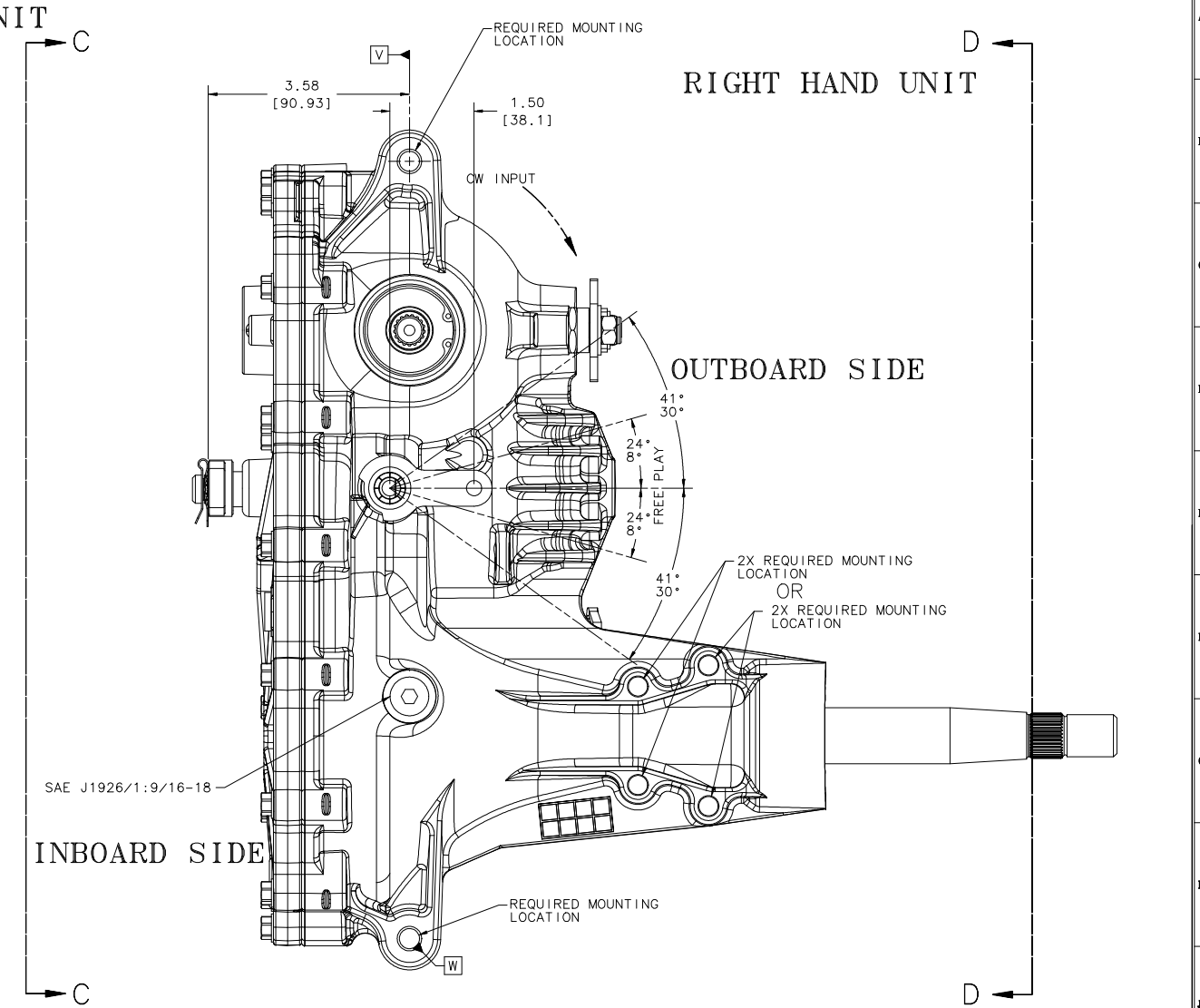
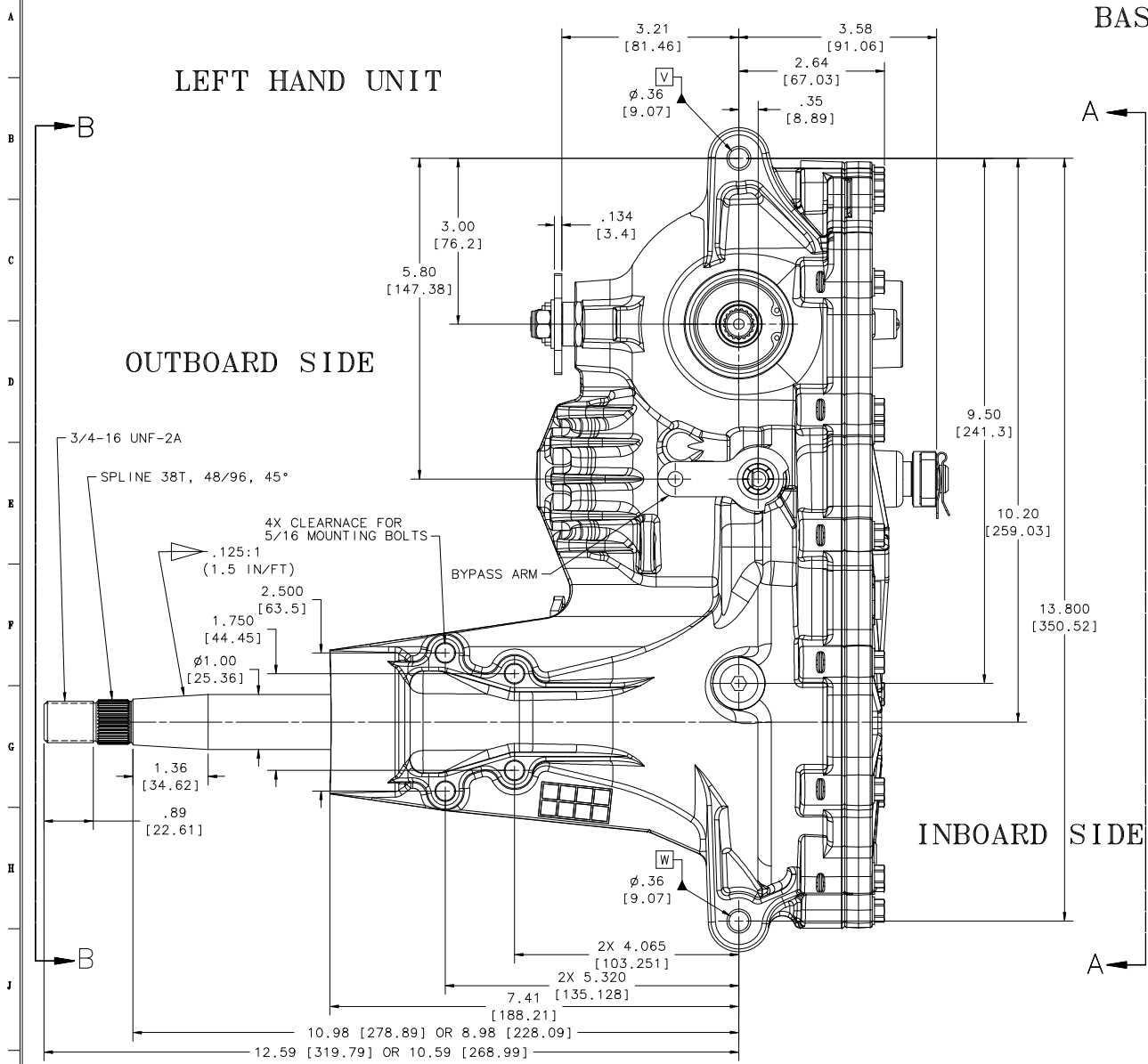


NOTICE - THIS DRAWING CONTAINS HYDRO-GEAR PROPRIETARY INFORMATION. NEITHER RECEIPT NOR POSSESSION THEREOF CONFERS ANY RIGHT TO REPRODUCE, USE, OR DISCLOSE, IN WHOLE OR PART, ANY SUCH INFORMATION WITHOUT WRITTEN AUTHORIZATION FROM HYDRO-GEAR. THE SPECIFICATIONS AND PRODUCT PROFILE DEPICTED HEREIN ARE APPROXIMATE REPRESENTATIONS SUBJECT TO CHANGE WITHOUT NOTICE OR OBLIGATION. CONSULT YOUR HYDRO-GEAR REPRESENTATIVE TO OBTAIN THE ENGINEERING INFORMATION APPROPRIATE TO YOUR APPLICATION.



SHEET 1 OF 6

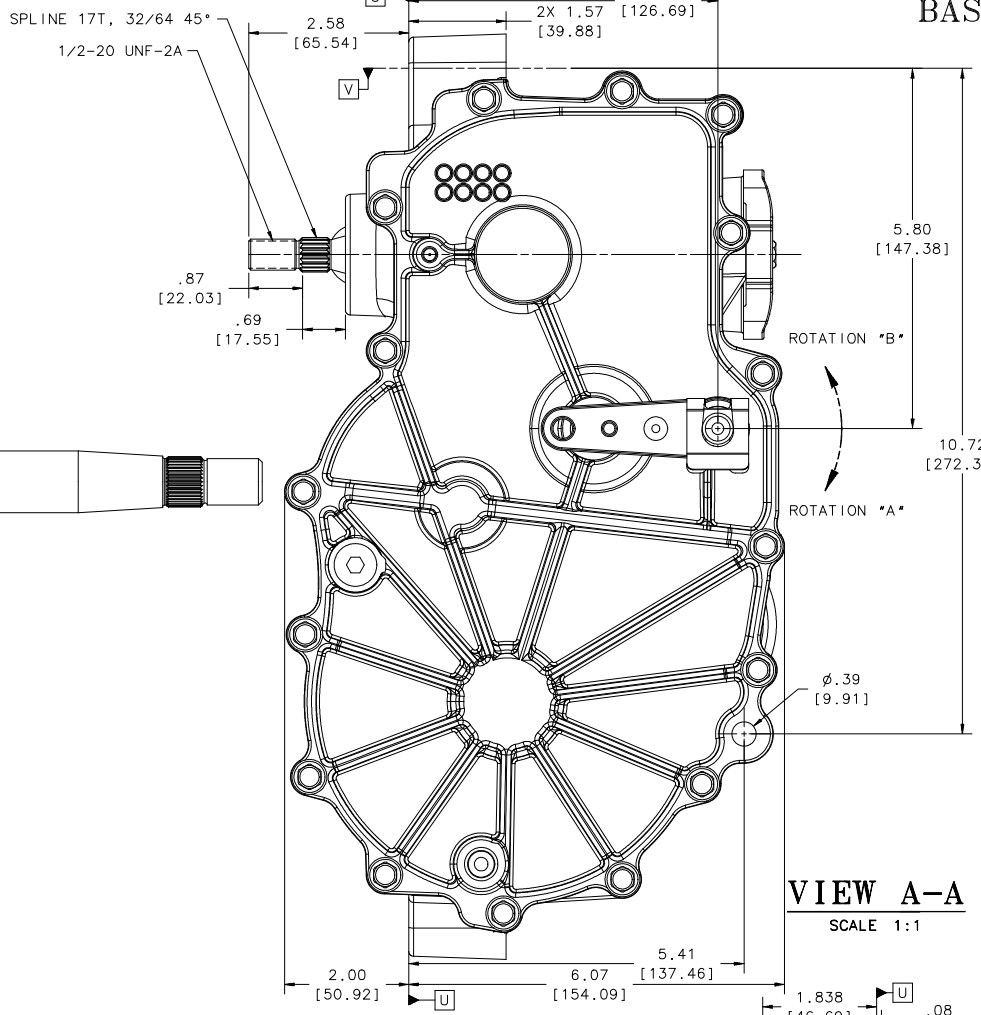
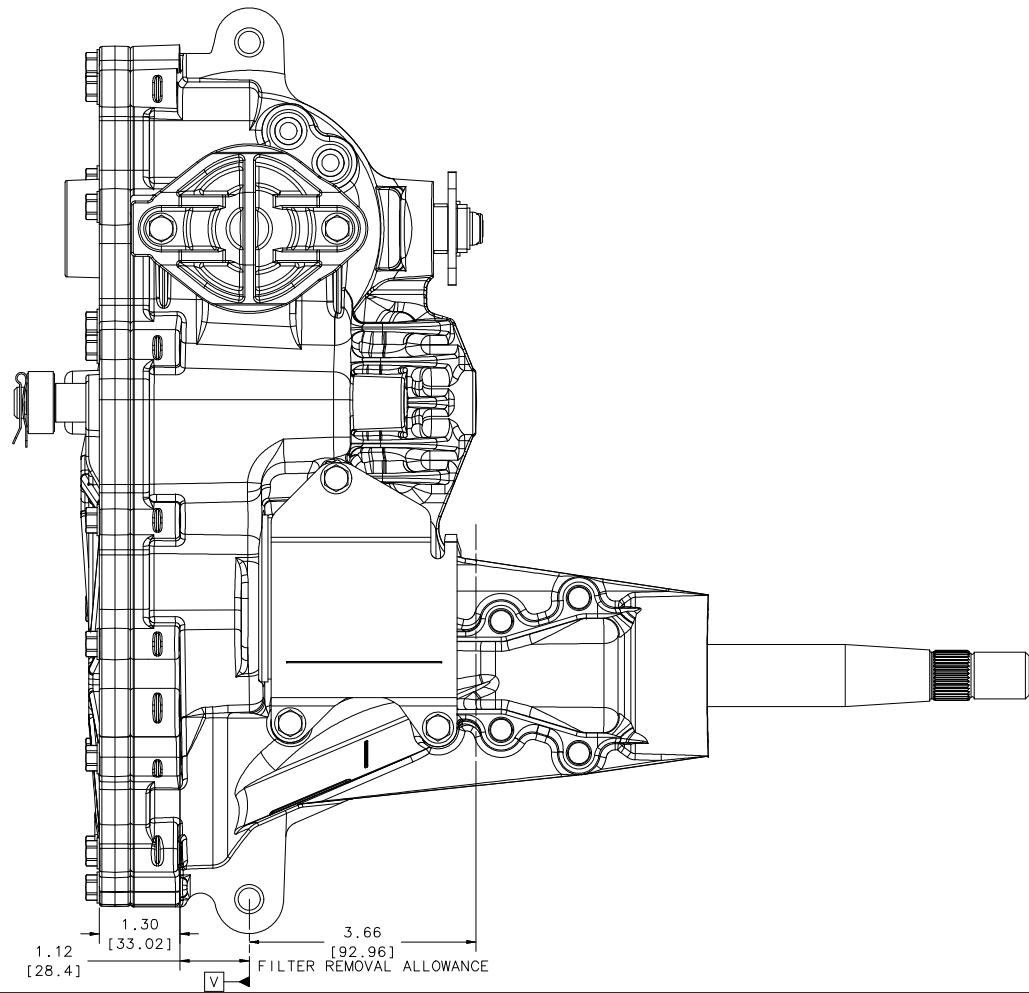
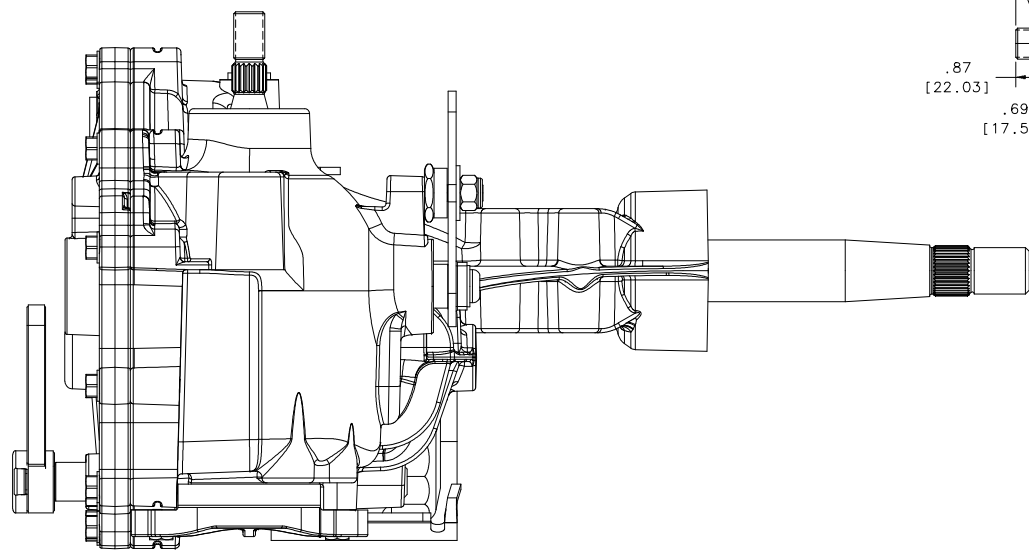
FRAME #	1-DEAS
DATE DRAWN	08-20-08
DRAWN BY	MB
SCALE	FULL
REVISION DATE	08/17/11
PART NUMBER	71894

NAME SALES DRAWING  
GENERIC ZT-3400

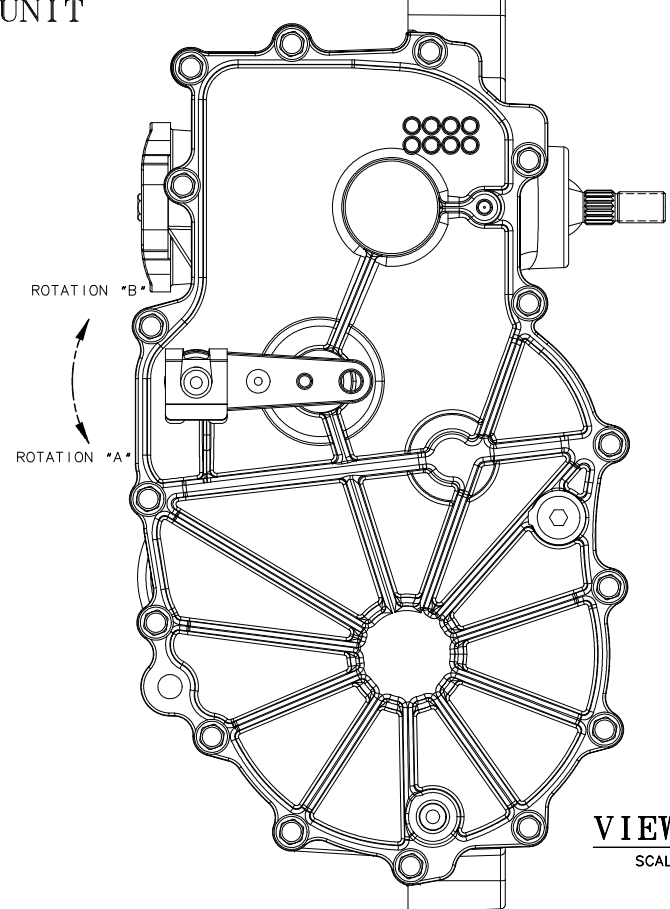
REF: MODEL CONFIGURATION GUIDE 71896

NOTICE - THIS DRAWING CONTAINS HYDRO-GEAR PROPRIETARY INFORMATION. NEITHER RECEIPT NOR POSSESSION THEREOF CONFERS ANY RIGHT TO REPRODUCE, USE, OR DISCLOSE, IN WHOLE OR PART, ANY SUCH INFORMATION WITHOUT WRITTEN AUTHORIZATION FROM HYDRO-GEAR. THE SPECIFICATIONS AND PRODUCT PROFILE DEPICTED HEREIN ARE APPROXIMATE REPRESENTATIONS SUBJECT TO CHANGE WITHOUT NOTICE OR OBLIGATION. CONSULT YOUR HYDRO-GEAR REPRESENTATIVE TO OBTAIN THE ENGINEERING INFORMATION APPROPRIATE TO YOUR APPLICATION.

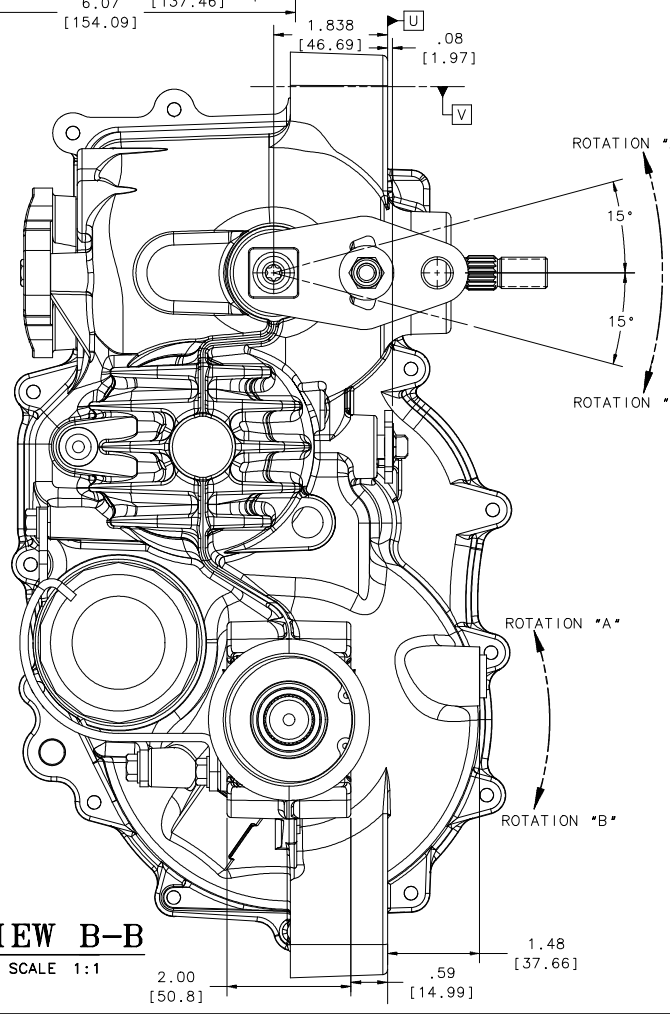
ROTATION DIRECTIONS		
INPUT SHAFT	CONTROL ARM	AXLE SHAFT
CW	A	B
CW	B	A
CCW	A	A
CCW	B	B



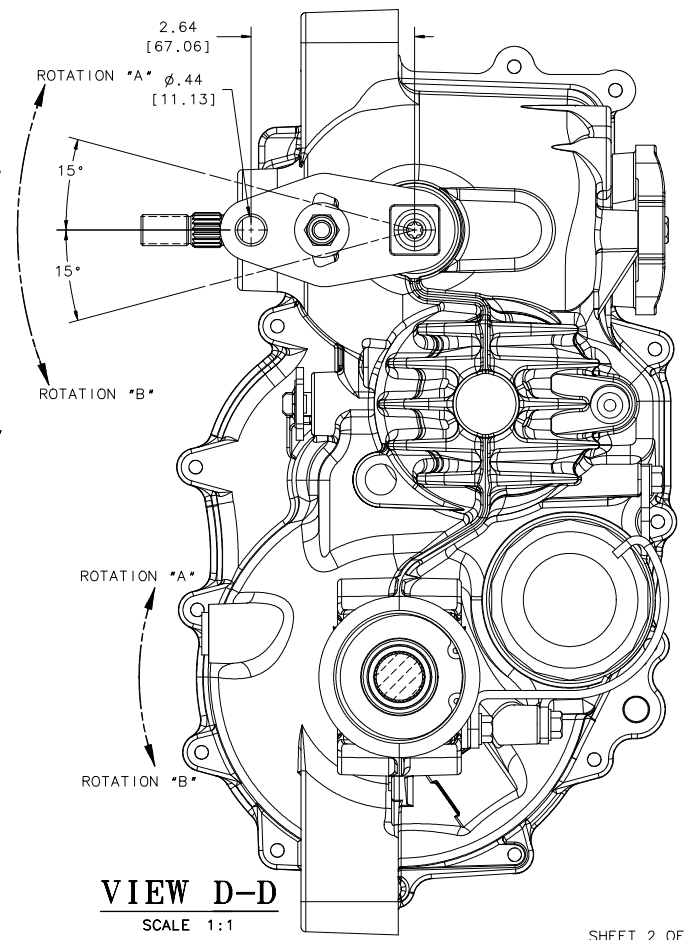
**VIEW A-A**  
SCALE 1:1



**VIEW C-C**  
SCALE 1:1



**VIEW B-B**  
SCALE 1:1



**VIEW D-D**  
SCALE 1:1

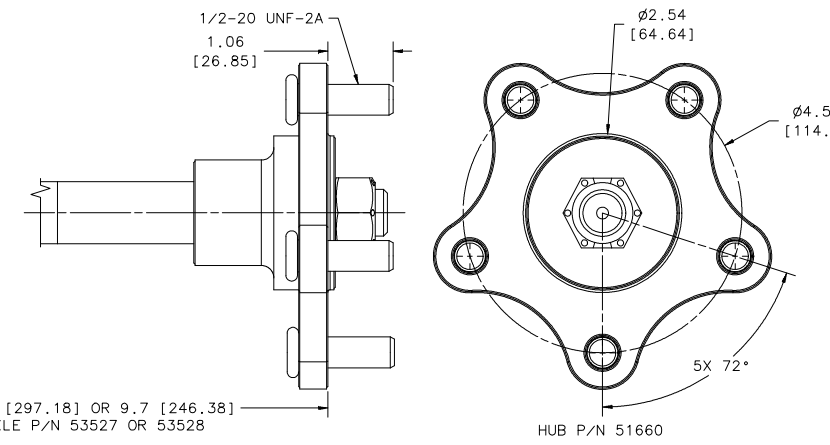
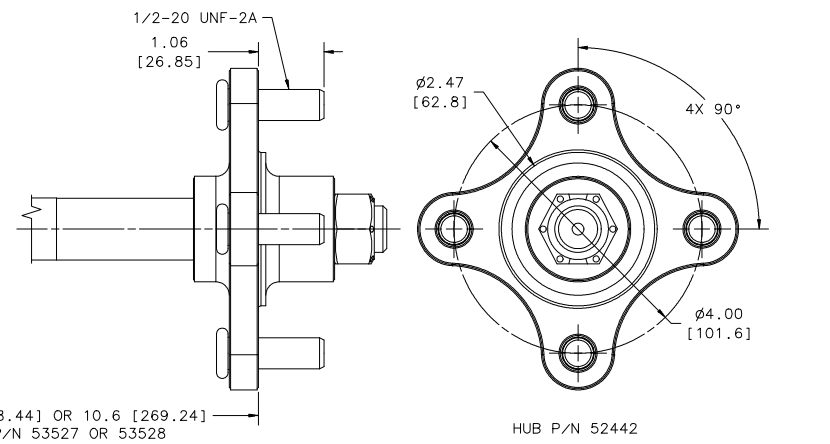
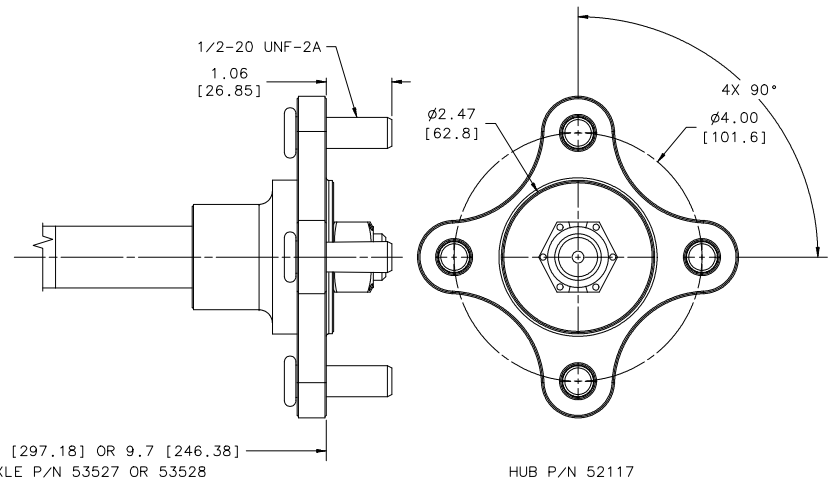
SHEET 2 OF 6

DATE DRAWN	08-20-08
DRAWN BY	MB
SCALE	FULL
REVISION DATE	08/17/11
PART NUMBER	71894

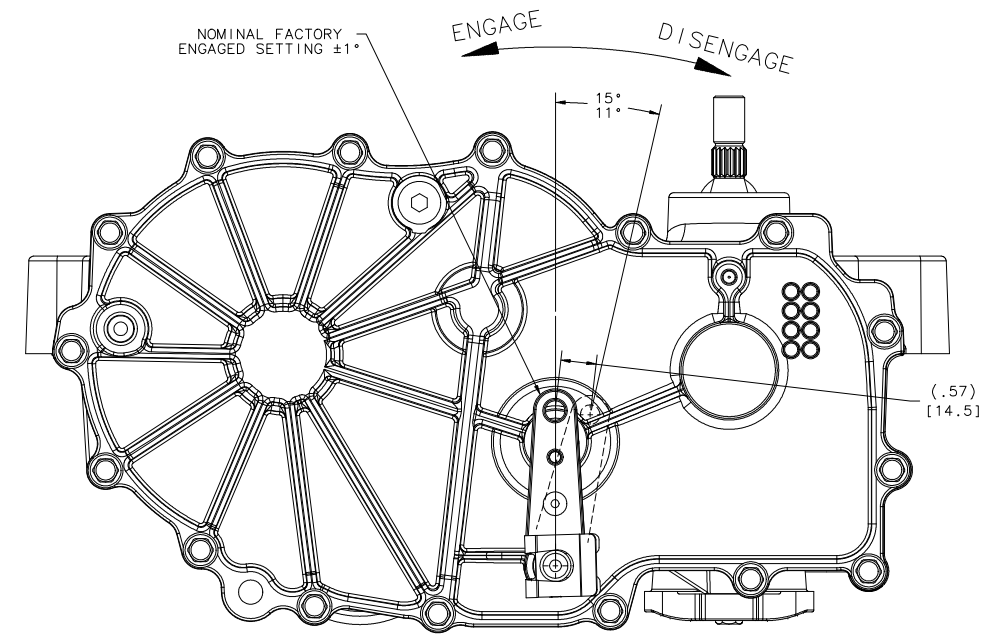
**HYDRO-GEAR**  
1411 S. HAMILTON ST., SULLY, ILL. 61081 PHONE (217) 728-2281  
NAME SALES DRAWING  
GENERIC ZT-3400

NOTICE - THIS DRAWING CONTAINS HYDRO-GEAR PROPRIETARY INFORMATION. NEITHER RECEIPT NOR POSSESSION THEREOF CONFERS ANY RIGHT TO REPRODUCE, USE, OR DISCLOSE, IN WHOLE OR PART, ANY SUCH INFORMATION WITHOUT WRITTEN AUTHORIZATION FROM HYDRO-GEAR. THE SPECIFICATIONS AND PRODUCT PROFILE DEPICTED HEREIN ARE APPROXIMATE REPRESENTATIONS SUBJECT TO CHANGE WITHOUT NOTICE OR OBLIGATION. CONSULT YOUR HYDRO-GEAR REPRESENTATIVE TO OBTAIN THE ENGINEERING INFORMATION APPROPRIATE TO YOUR APPLICATION.

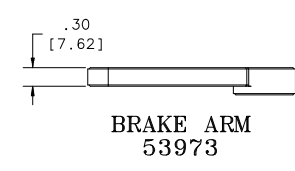
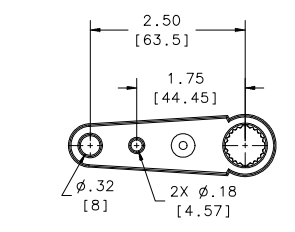
### HUB OPTIONS



### BRAKE OPTIONS

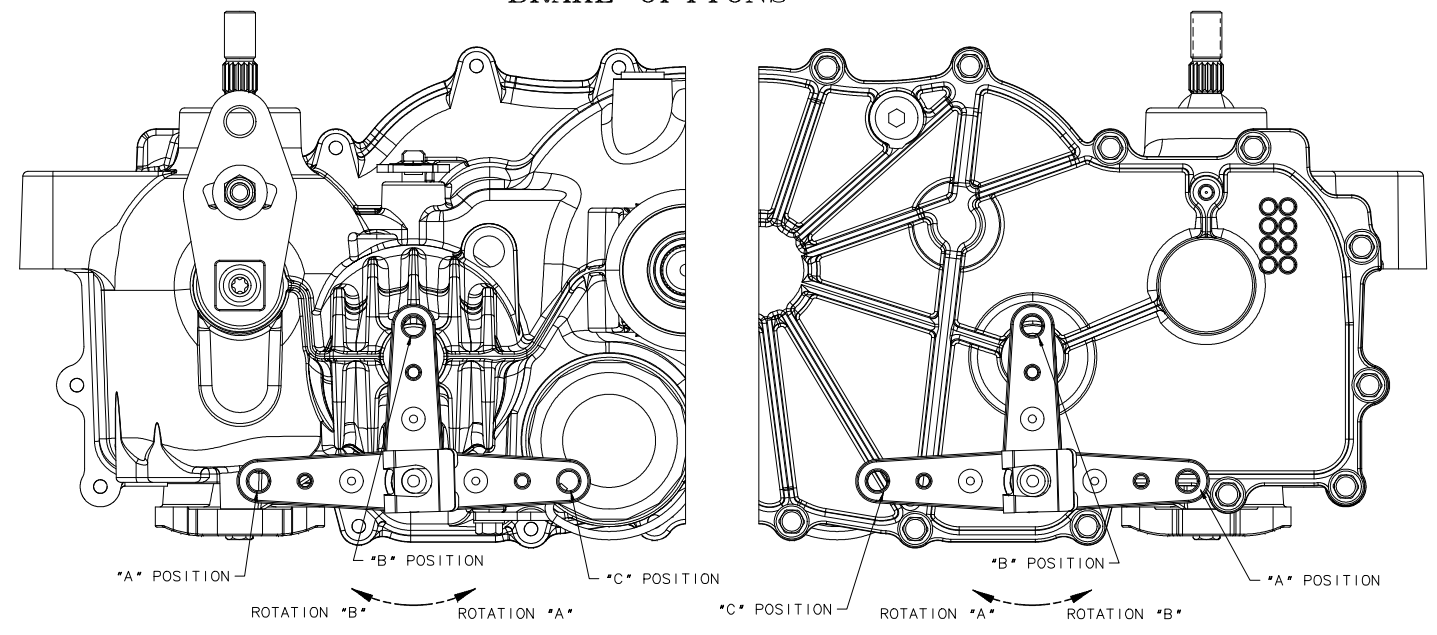


VIEW SHOWN REFLECTS ROTATION B

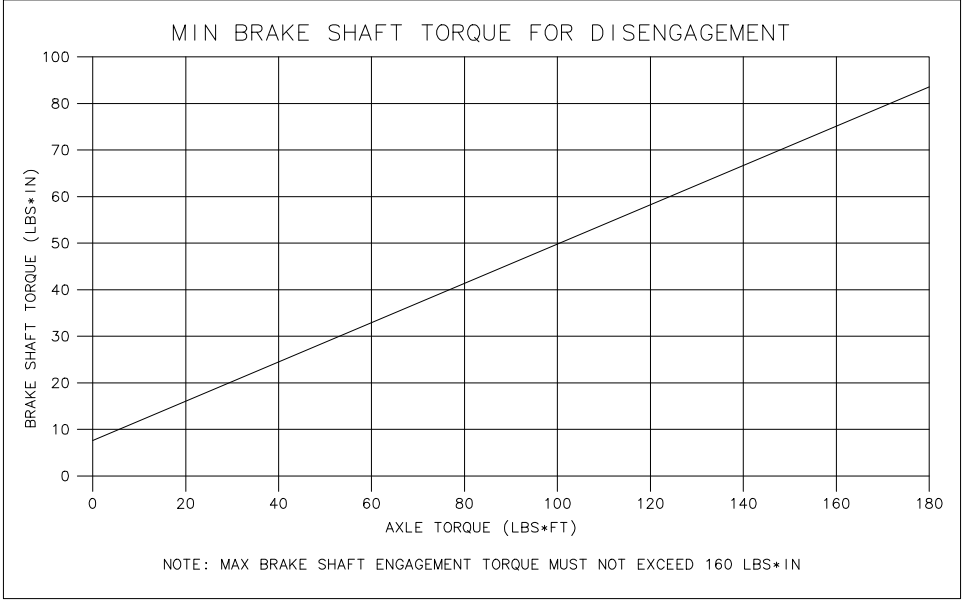
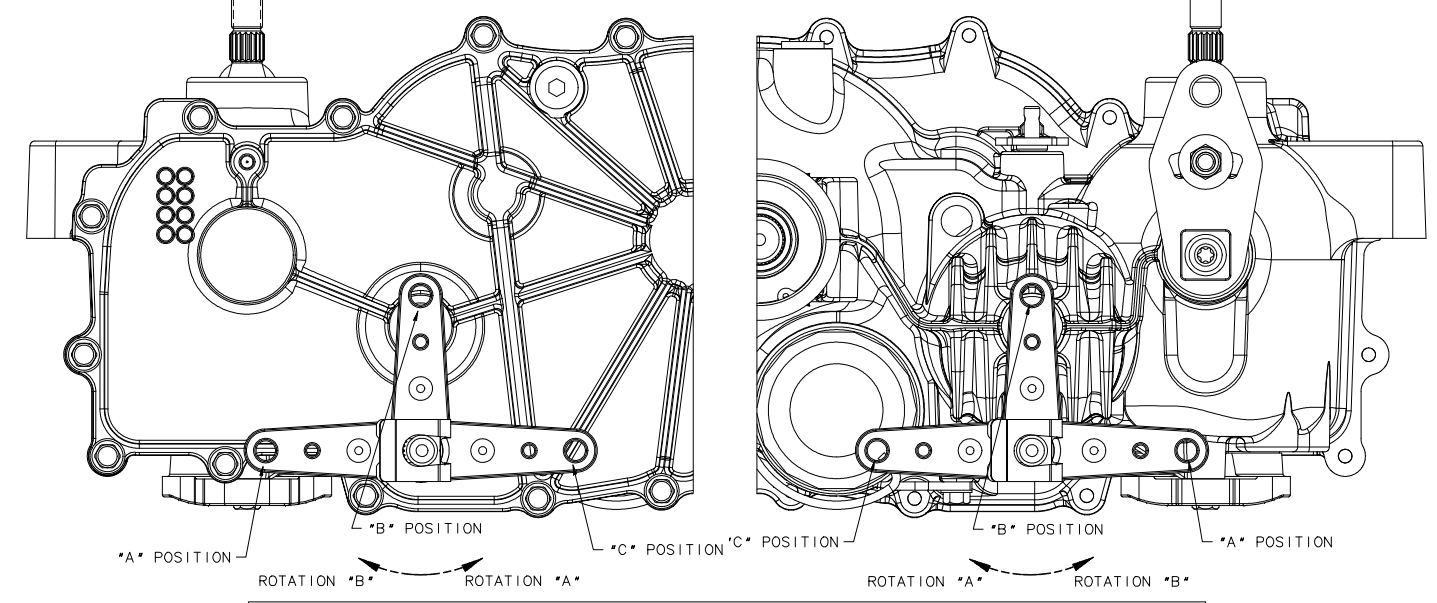


NOTICE - THIS DRAWING CONTAINS HYDRO-GEAR PROPRIETARY INFORMATION. NEITHER RECEIPT NOR POSSESSION THEREOF CONFERS ANY RIGHT TO REPRODUCE, USE, OR DISCLOSE, IN WHOLE OR PART, ANY SUCH INFORMATION WITHOUT WRITTEN AUTHORIZATION FROM HYDRO-GEAR. THE SPECIFICATIONS AND PRODUCT PROFILE DEPICTED HEREIN ARE APPROXIMATE REPRESENTATIONS SUBJECT TO CHANGE WITHOUT NOTICE OR OBLIGATION. CONSULT YOUR HYDRO-GEAR REPRESENTATIVE TO OBTAIN THE ENGINEERING INFORMATION APPROPRIATE TO YOUR APPLICATION.

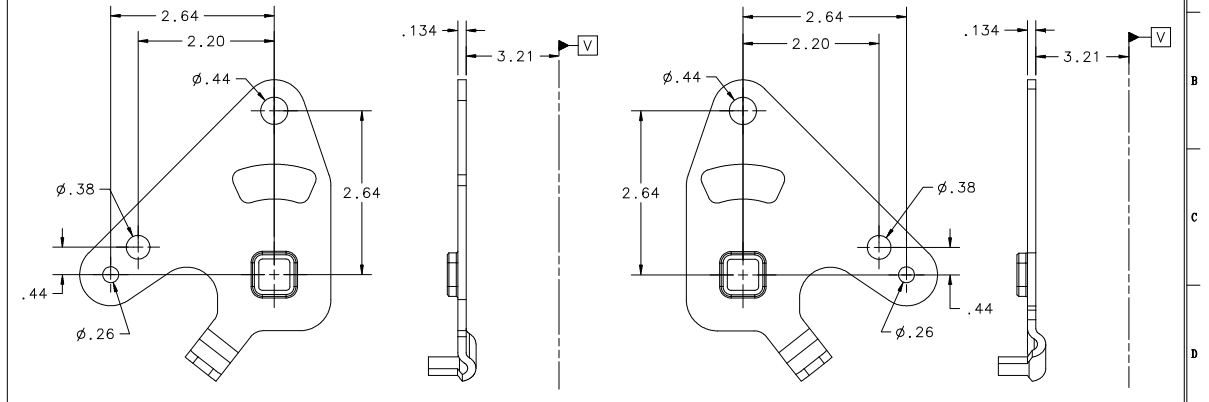
### BRAKE OPTIONS



POSITION SHOWN IS WITH THE BRAKE ENGAGED  
 ROTATION IS BRAKE ARM ENGAGEMENT DIRECTION

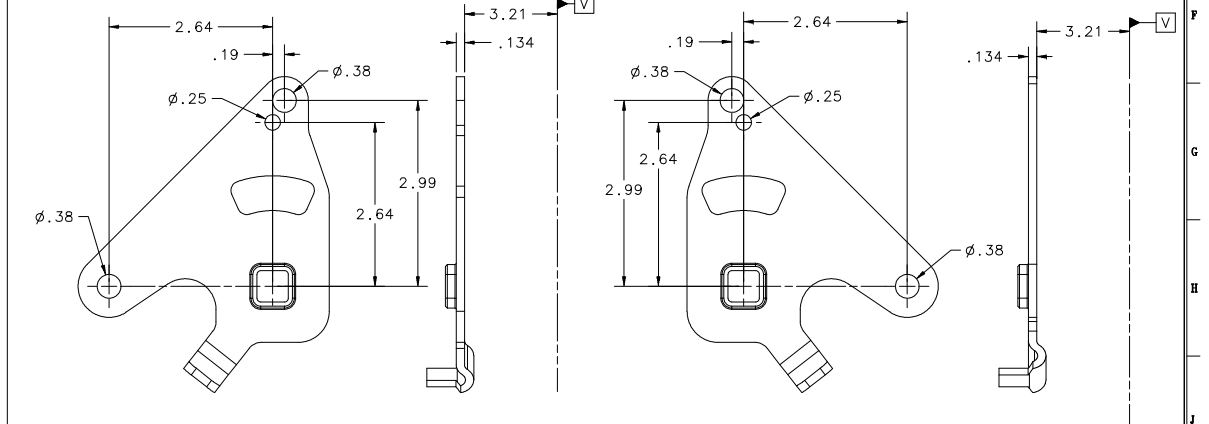


### CONTROL OPTIONS



CONTROL ARM 51842

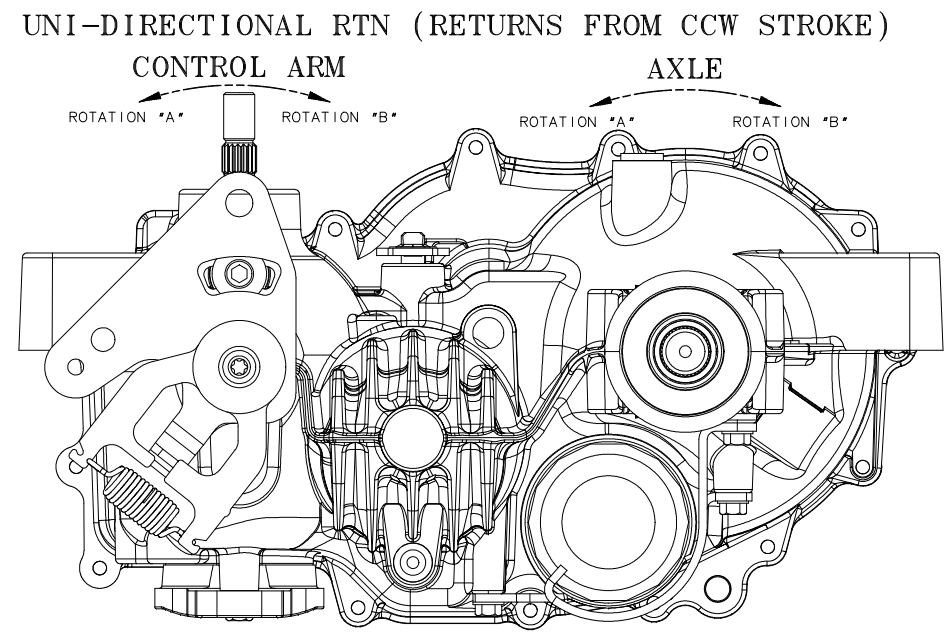
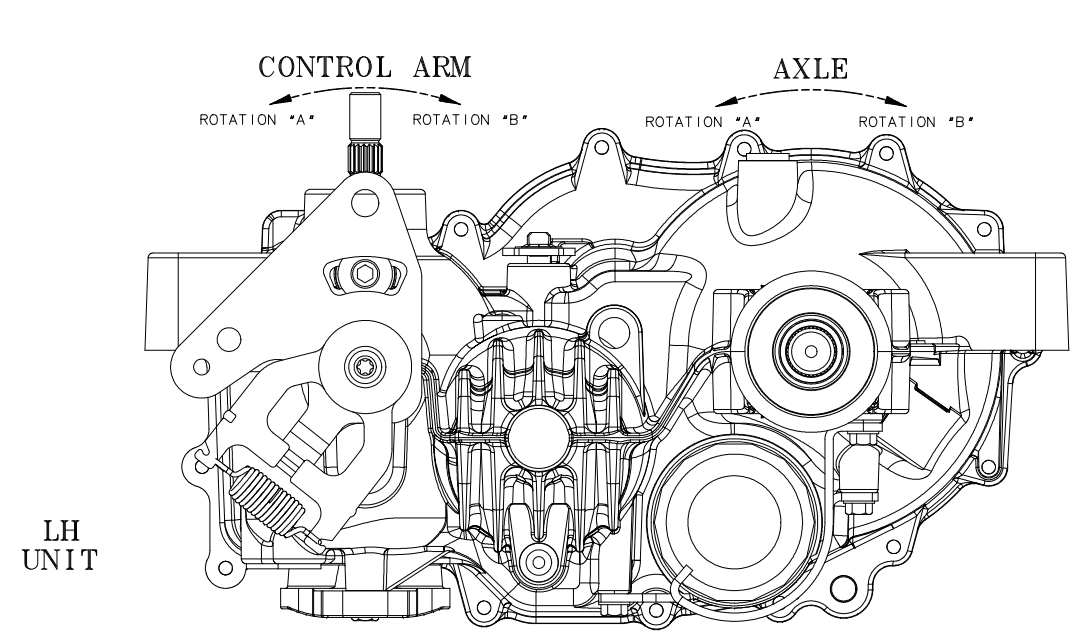
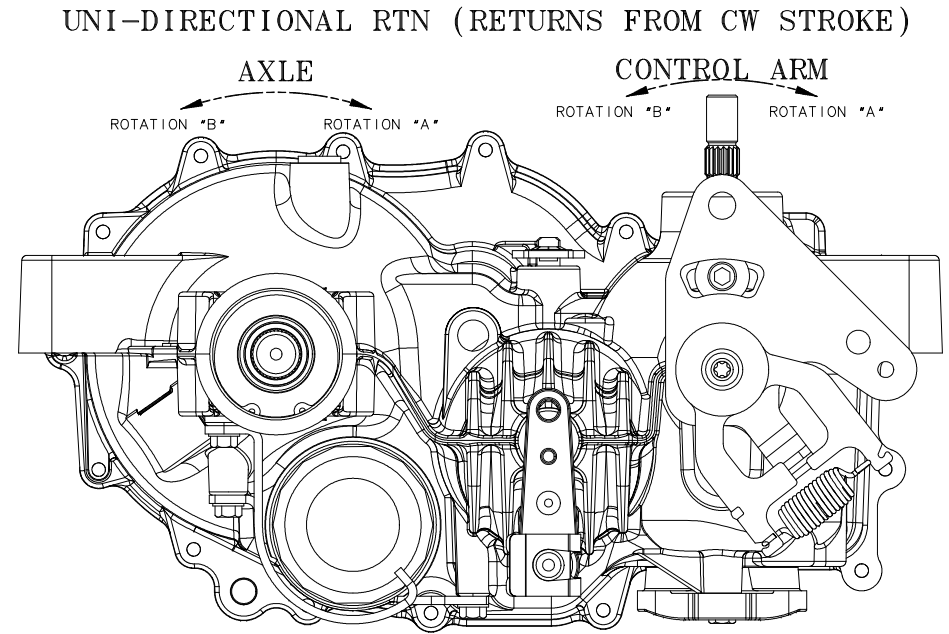
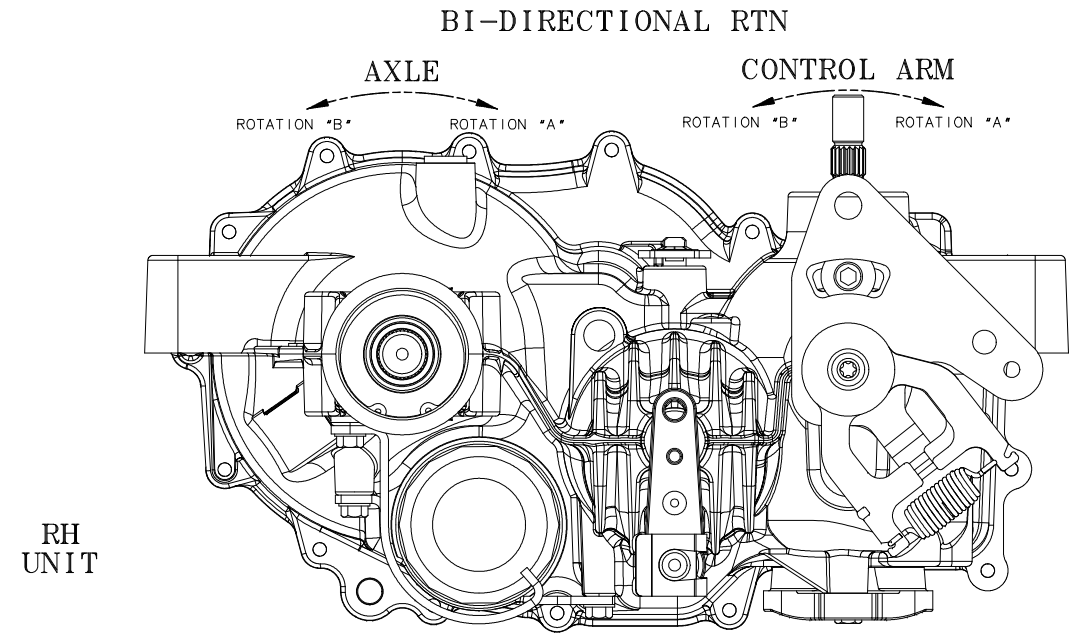
CONTROL ARM 51841



CONTROL ARM 52682

CONTROL ARM 52681

### CONTROL OPTIONS



**RETURN TO NEUTRAL OPTIONS**

RTN TYPE	CONTROL ARM DIRECTION RESTORING MOMENT	
	STROKE	MOMENT
BIDIRECTIONAL	A	B
	B	A
ROTATION A	A	—
	B	A
ROTATION B	A	B
	B	—

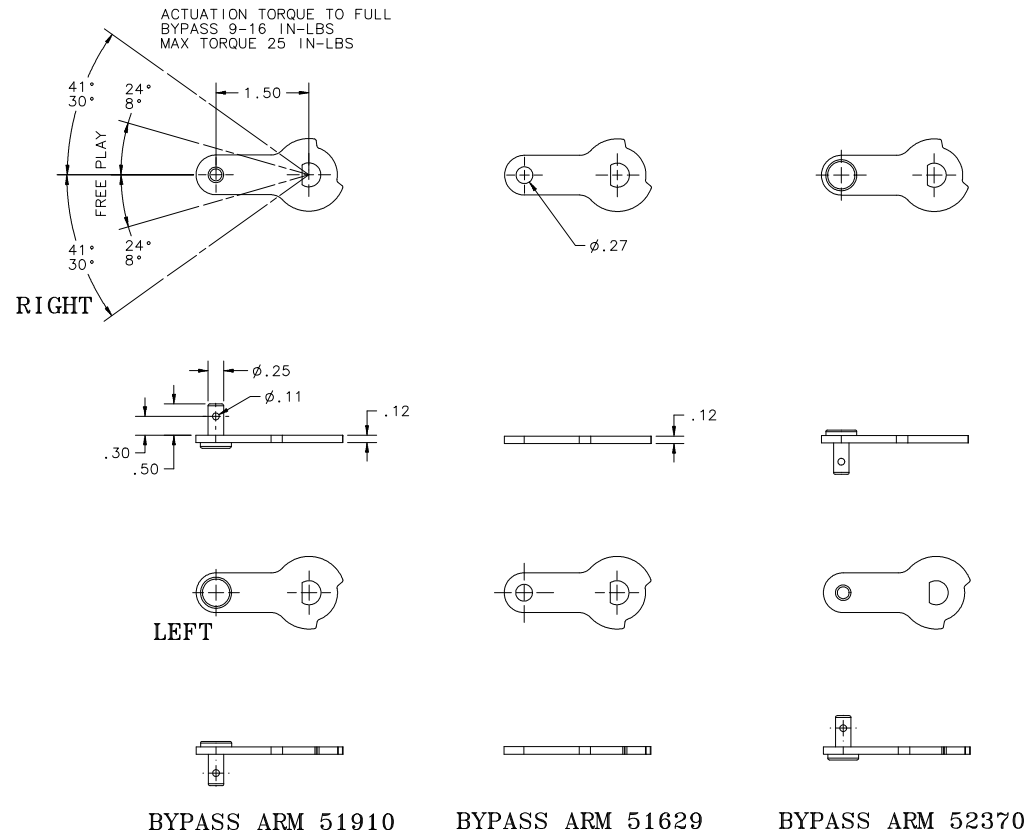
**RETURN SPRING OPTIONS**

SPRING TYPE	RESTORING MOMENT (LB-IN)
MEDIUM	37
HEAVY	46

AXLE ROTATION IN FORWARD	INPUT SHAFT ROTATION	DESIRED RTN RESTORING MOMENT	RTN TYPE
A	CW	FROM FORWARD & REVERSE FROM FORWARD ONLY FROM REVERSE ONLY	BIDIRECTIONAL ROTATION A ROTATION B
B	CW	FROM FORWARD & REVERSE FROM FORWARD ONLY FROM REVERSE ONLY	BIDIRECTIONAL ROTATION B ROTATION A

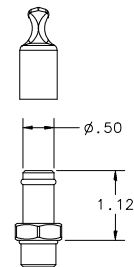
NOTICE - THIS DRAWING CONTAINS HYDRO-GEAR PROPRIETARY INFORMATION. NEITHER RECEIPT NOR POSSESSION THEREOF CONFERS ANY RIGHT TO REPRODUCE, USE, OR DISCLOSE, IN WHOLE OR PART, ANY SUCH INFORMATION WITHOUT WRITTEN AUTHORIZATION FROM HYDRO-GEAR. THE SPECIFICATIONS AND PRODUCT PROFILE DEPICTED HEREIN ARE APPROXIMATE REPRESENTATIONS SUBJECT TO CHANGE WITHOUT NOTICE OR OBLIGATION. CONSULT YOUR HYDRO-GEAR REPRESENTATIVE TO OBTAIN THE ENGINEERING INFORMATION APPROPRIATE TO YOUR APPLICATION.

### BYPASS ARM OPTIONS

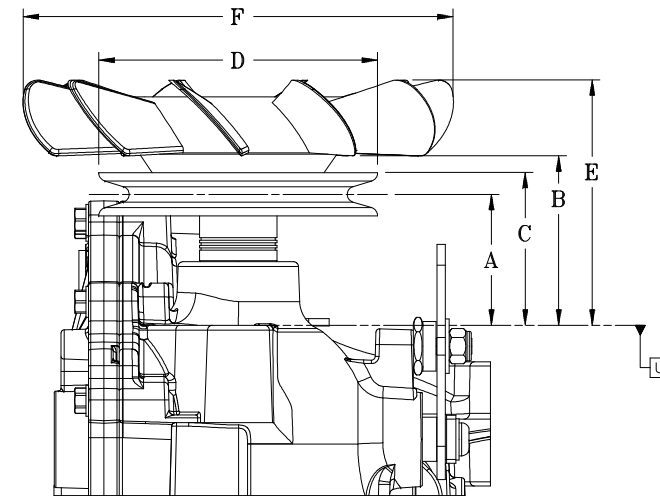


### BREATHER FITTING 71393

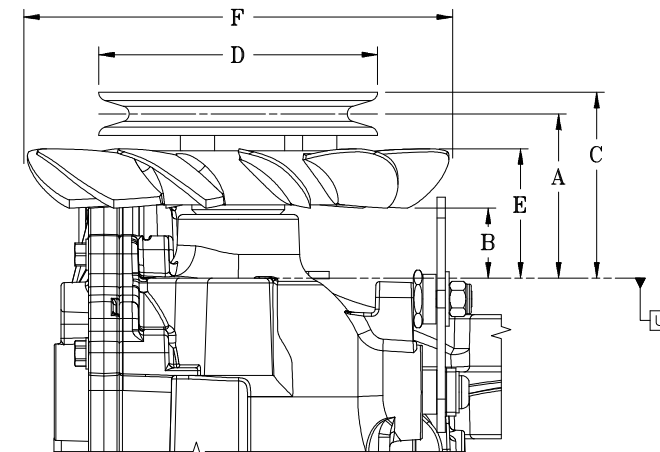
SHIPPING CAP MUST BE REMOVED BEFORE ASSEMBLY ON TRACTOR



### FAN AND PULLEY OPTIONS



FAN & PULLEY KIT	A	B	C	D	E	F	INPUT ROTATION
71903	2.64	3.07	3.00	ø4.50	4.31	ø7.00	CW
71907	1.18	1.96	1.54	ø5.00	3.19	ø7.00	CW
72034	2.10	2.72	2.45	ø4.5	3.94	ø7.00	CW



FAN & PULLEY KIT	A	B	C	D	E	F	INPUT ROTATION
71900	2.64	1.12	3.00	ø4.50	2.08	ø7.00	CW

