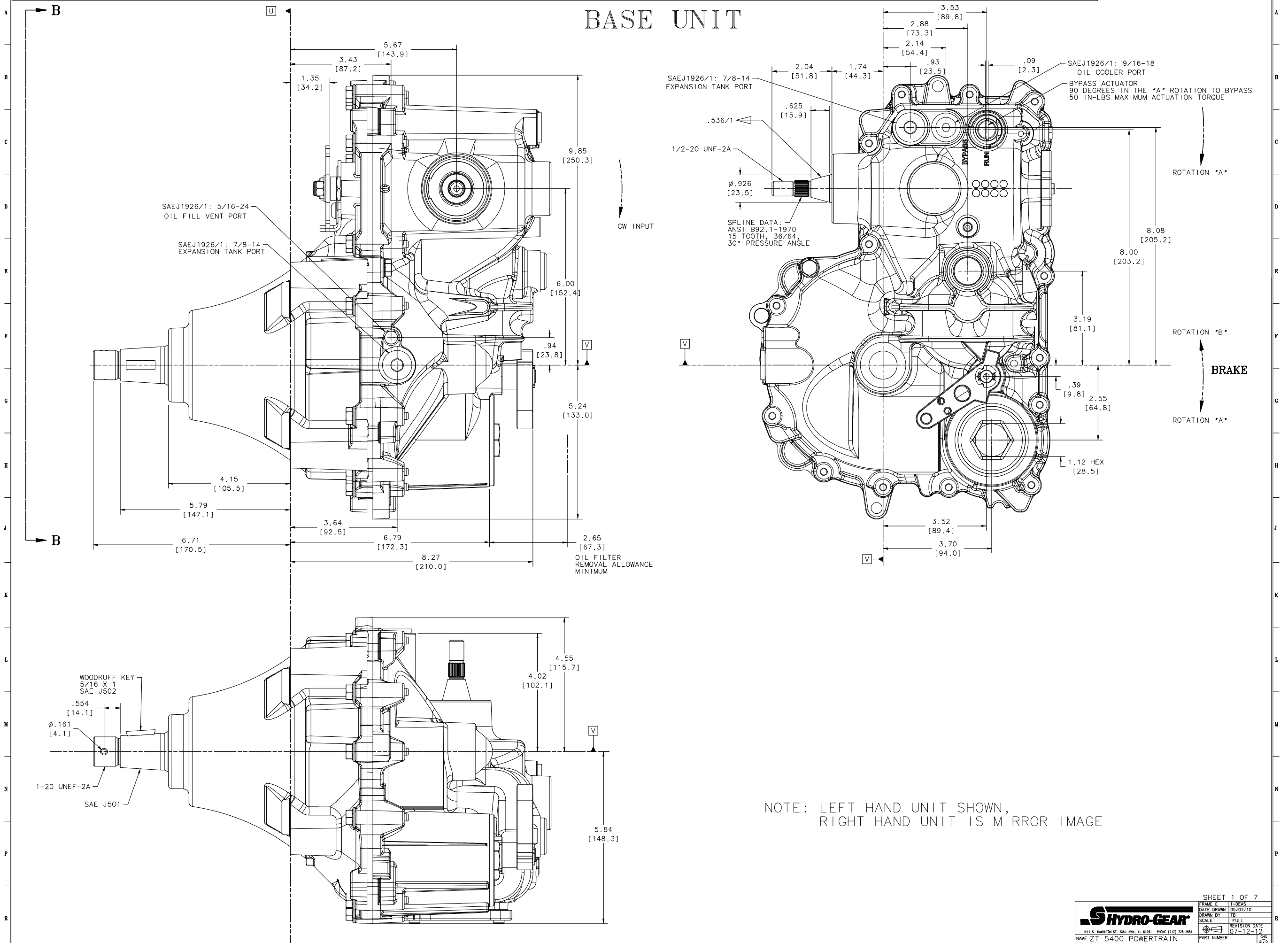


NOTICE - THIS DRAWING CONTAINS HYDRO-GEAR PROPRIETARY INFORMATION. NEITHER RECEIPT NOR POSSESSION THEREOF CONFERS ANY RIGHT TO REPRODUCE, USE, OR DISCLOSE, IN WHOLE OR PART, ANY SUCH INFORMATION WITHOUT WRITTEN AUTHORIZATION FROM HYDRO-GEAR. THE SPECIFICATIONS AND PRODUCT PROFILE DEPICTED HEREIN ARE APPROXIMATE REPRESENTATIONS SUBJECT TO CHANGE WITHOUT NOTICE OR OBLIGATION. CONSULT YOUR HYDRO-GEAR REPRESENTATIVE TO OBTAIN THE ENGINEERING INFORMATION APPROPRIATE TO YOUR APPLICATION.

# BASE UNIT



NOTE: LEFT HAND UNIT SHOWN, RIGHT HAND UNIT IS MIRROR IMAGE

SHEET 1 OF 7

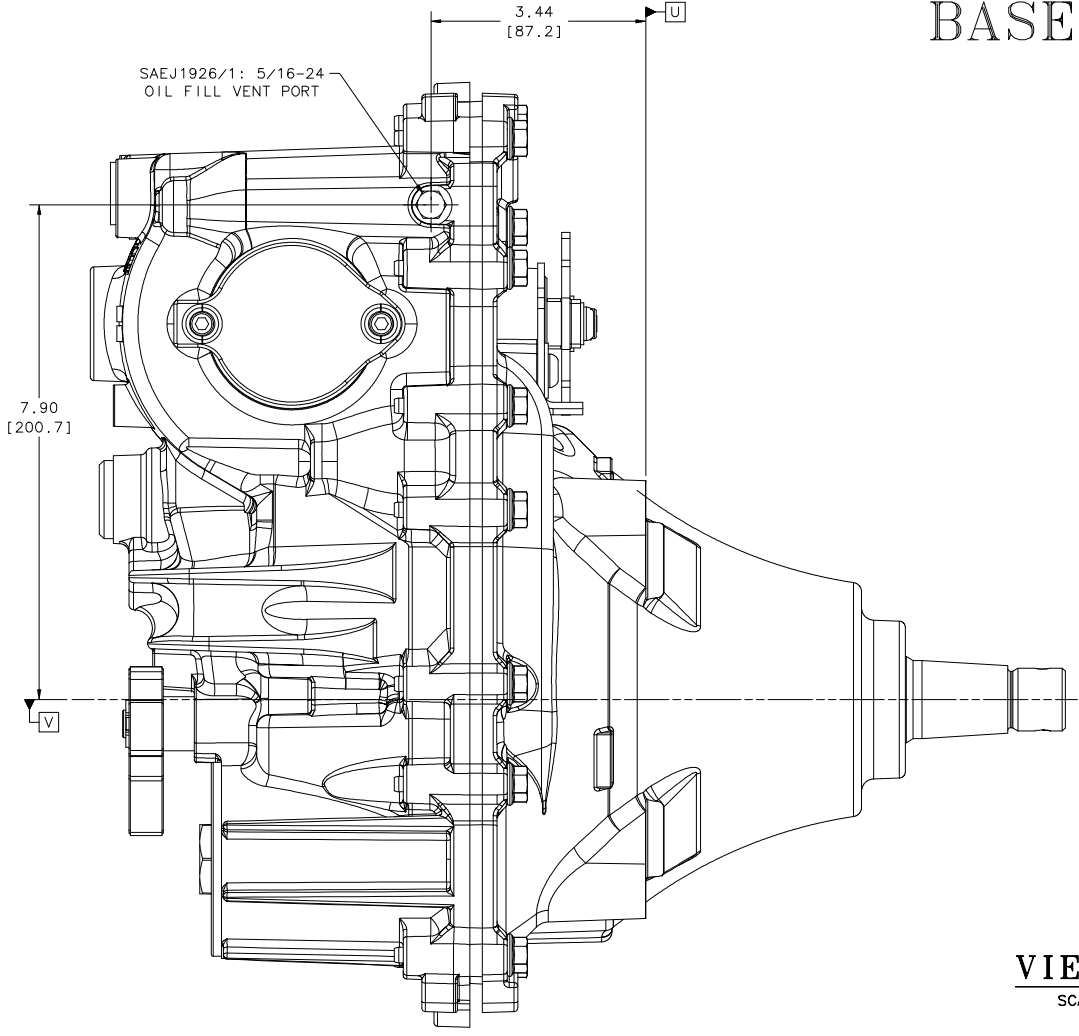
FRAME E	1-BEAS
DATE DRAWN	05/07/10
DRAWN BY	TB
SCALE	FULL
REVISION DATE	07-12-12
PART NUMBER	71883

111 S. WILMOT ST. SALLISBURG, IL 61551 PHONE (217) 728-2561

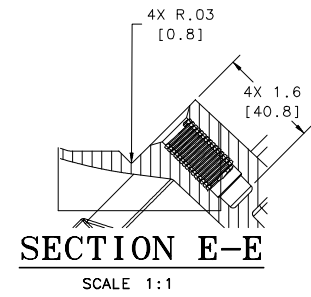
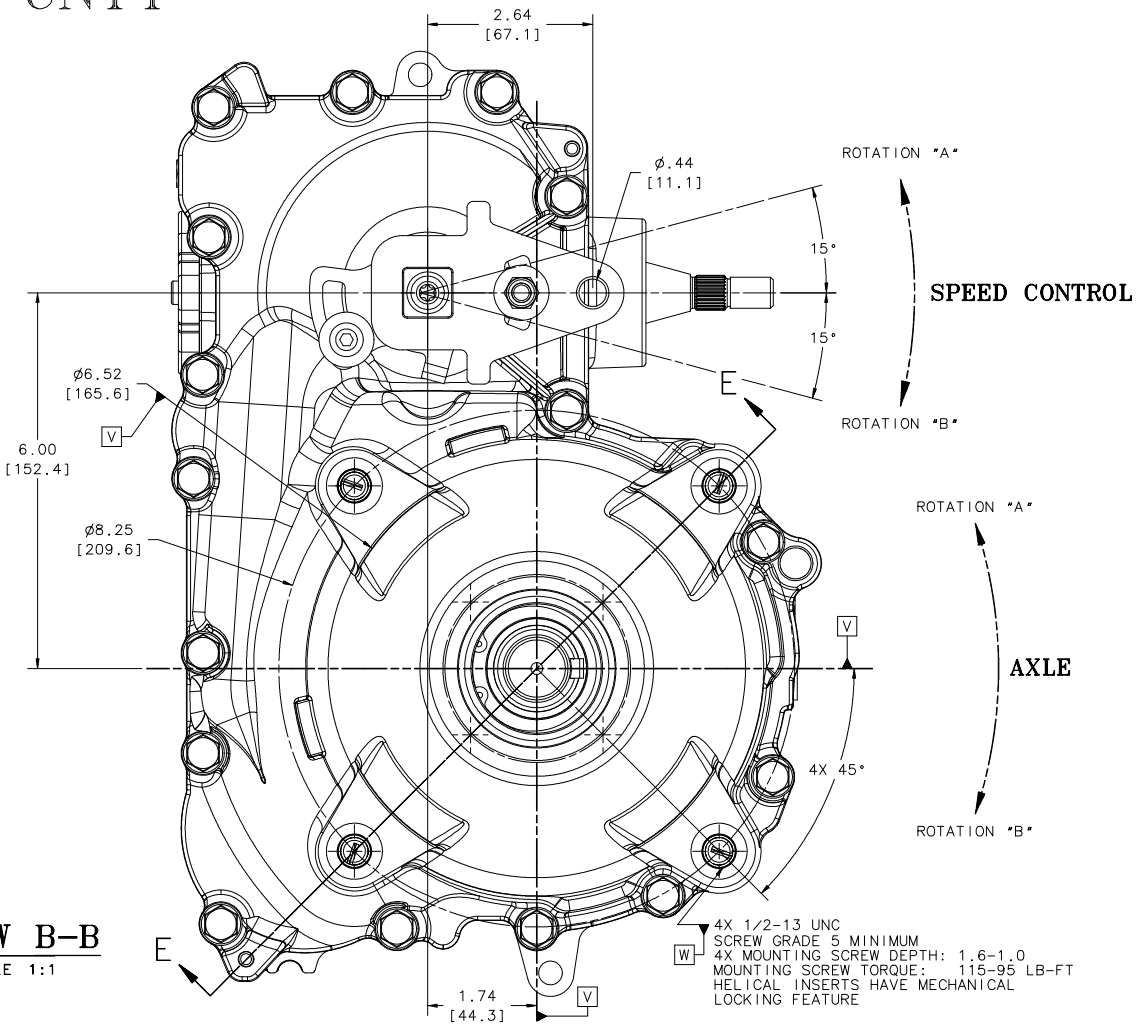
NAME ZT-5400 POWERTRAIN  
 SALES DRAWING

NOTICE - THIS DRAWING CONTAINS HYDRO-GEAR PROPRIETARY INFORMATION. NEITHER RECEIPT NOR POSSESSION THEREOF CONFERS ANY RIGHT TO REPRODUCE, USE, OR DISCLOSE, IN WHOLE OR PART, ANY SUCH INFORMATION WITHOUT WRITTEN AUTHORIZATION FROM HYDRO-GEAR. THE SPECIFICATIONS AND PRODUCT PROFILE DEPICTED HEREIN ARE APPROXIMATE REPRESENTATIONS SUBJECT TO CHANGE WITHOUT NOTICE OR OBLIGATION. CONSULT YOUR HYDRO-GEAR REPRESENTATIVE TO OBTAIN THE ENGINEERING INFORMATION APPROPRIATE TO YOUR APPLICATION.

# BASE UNIT



**VIEW B-B**  
SCALE 1:1



**SECTION E-E**  
SCALE 1:1

SHEET 2 OF 7

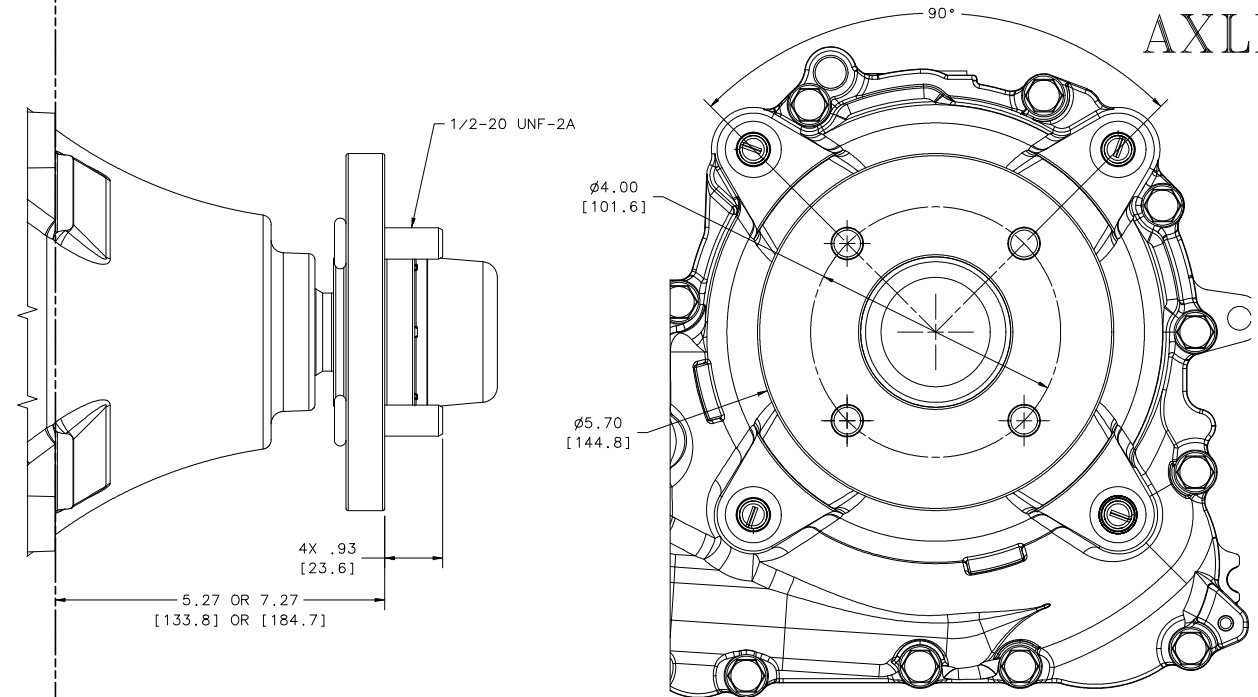
FRAME	E	1-BEAS
DATE DRAWN	05/07/10	
DRAWN BY	TB	
SCALE	FULL	
REVISION DATE	07-12-12	
PART NUMBER	71883	

111 S. WILSON ST. SULLIVAN, IL 61951 PHONE (317) 728-2561

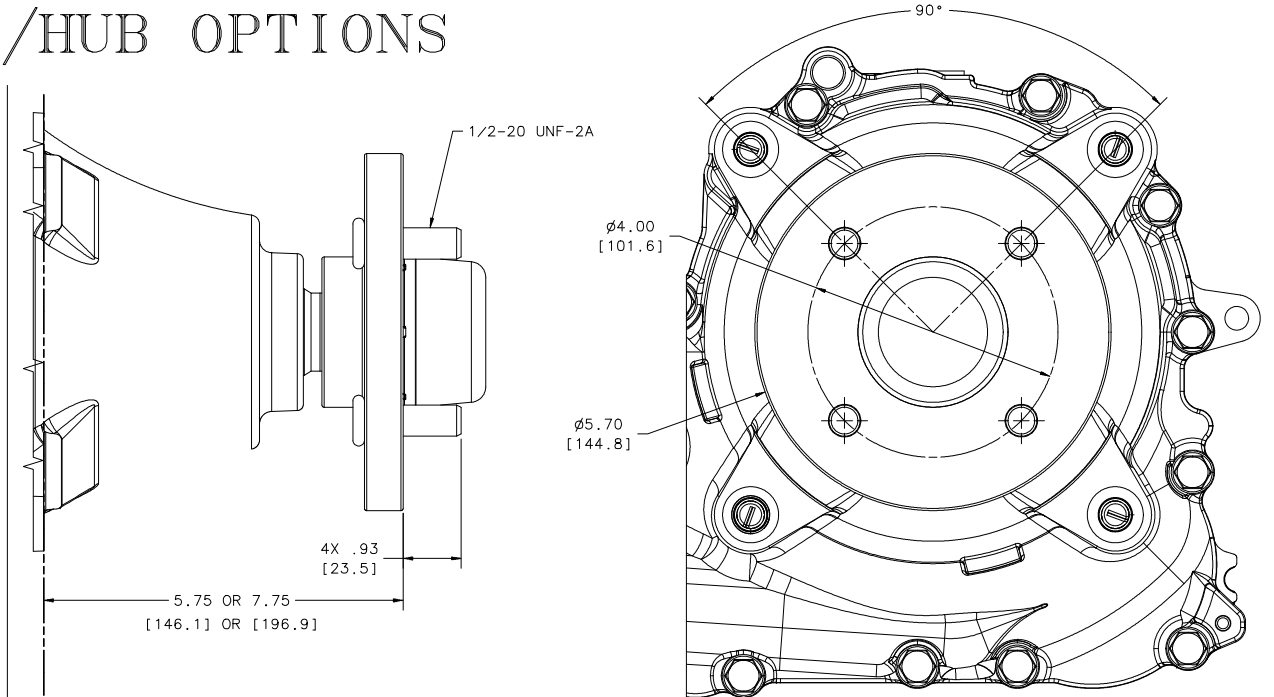
NAME ZT-5400 POWERTRAIN SALES DRAWING

NOTICE - THIS DRAWING CONTAINS HYDRO-GEAR PROPRIETARY INFORMATION. NEITHER RECEIPT NOR POSSESSION THEREOF CONFERS ANY RIGHT TO REPRODUCE, USE, OR DISCLOSE, IN WHOLE OR PART, ANY SUCH INFORMATION WITHOUT WRITTEN AUTHORIZATION FROM HYDRO-GEAR. THE SPECIFICATIONS AND PRODUCT PROFILE DEPICTED HEREIN ARE APPROXIMATE REPRESENTATIONS SUBJECT TO CHANGE WITHOUT NOTICE OR OBLIGATION. CONSULT YOUR HYDRO-GEAR REPRESENTATIVE TO OBTAIN THE ENGINEERING INFORMATION APPROPRIATE TO YOUR APPLICATION.

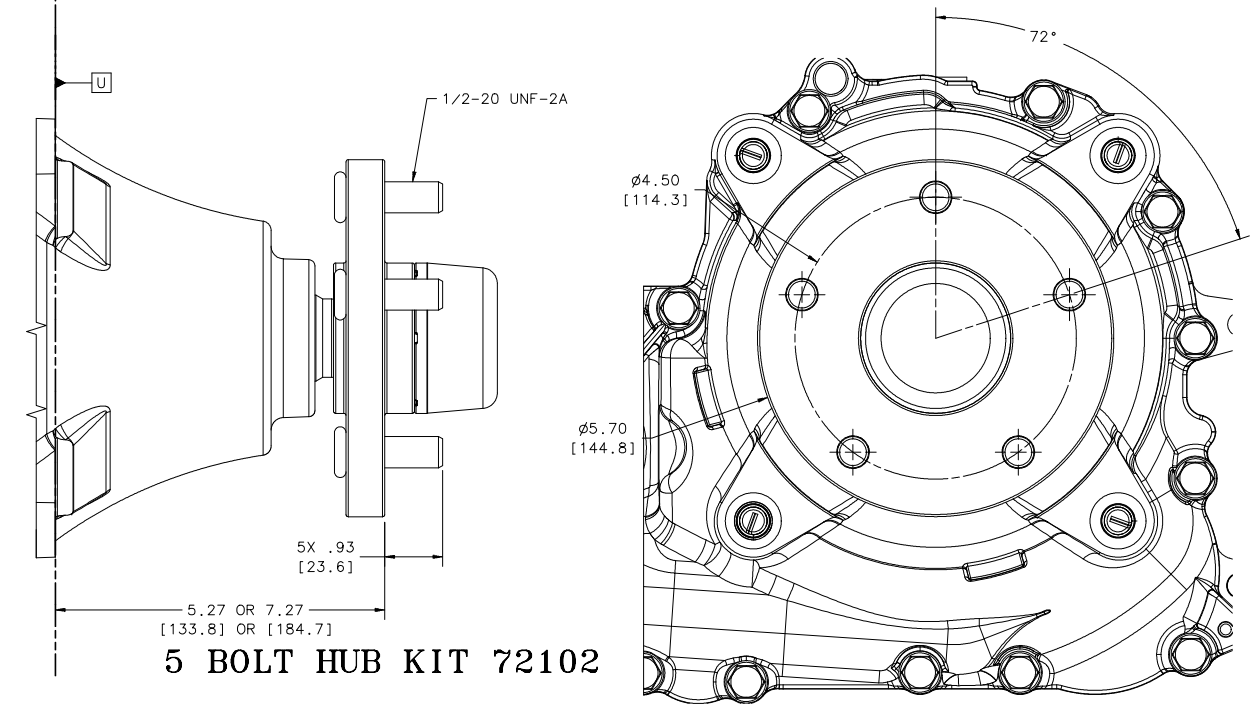
# AXLE/HUB OPTIONS



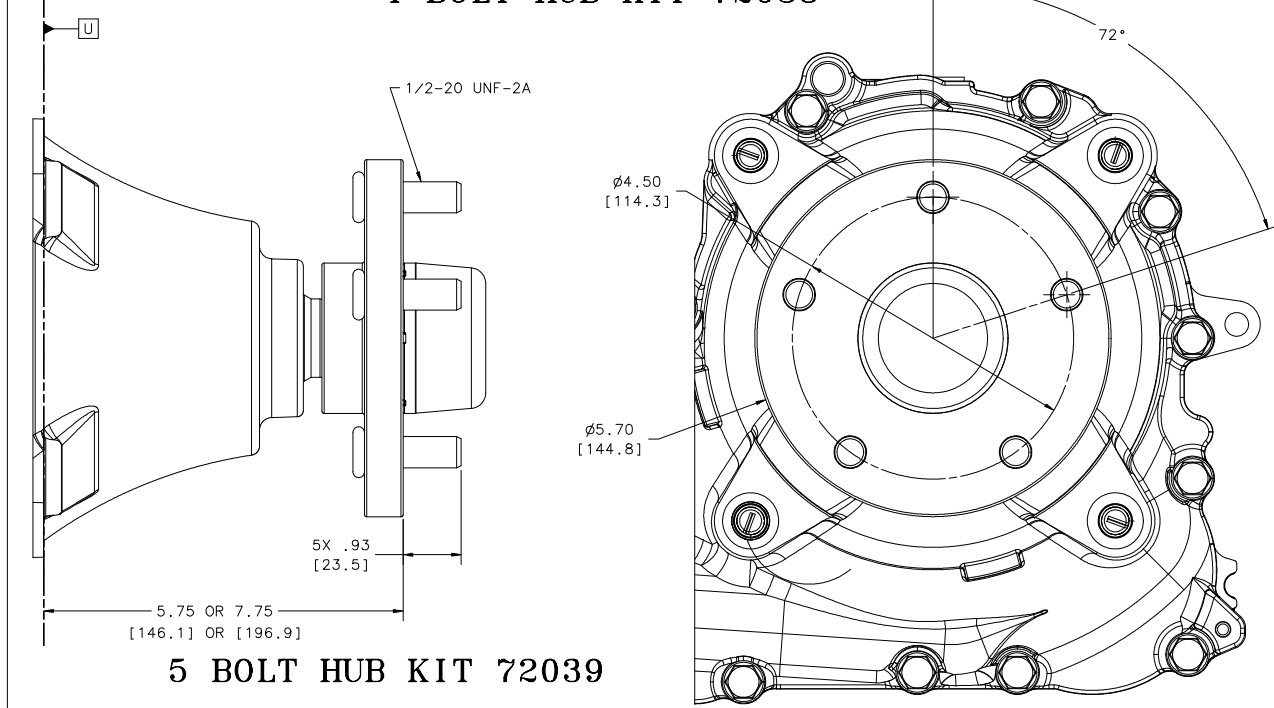
**4 BOLT HUB KIT 72101**



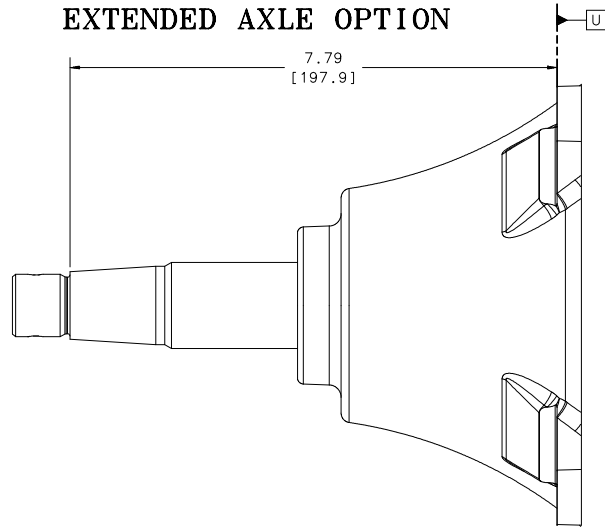
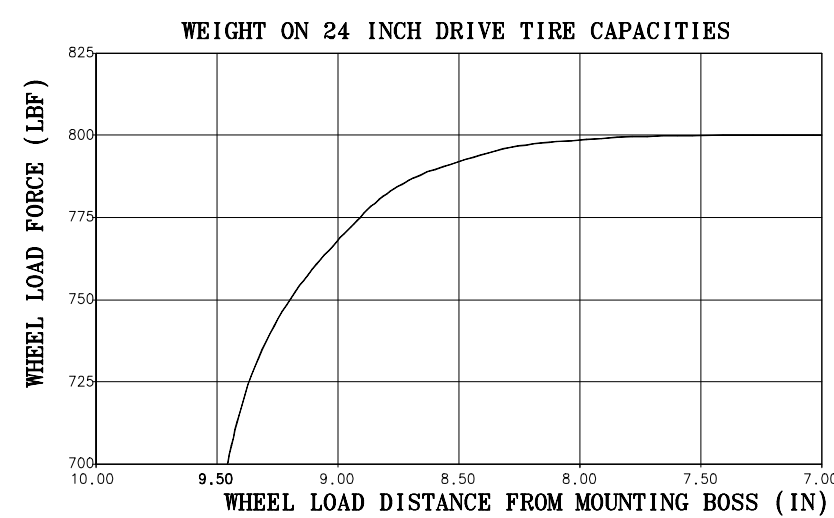
**4 BOLT HUB KIT 72038**



**5 BOLT HUB KIT 72102**

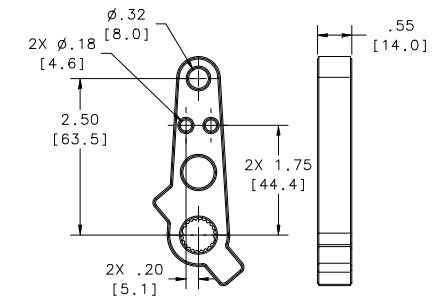


**5 BOLT HUB KIT 72039**



NOTICE - THIS DRAWING CONTAINS HYDRO-GEAR PROPRIETARY INFORMATION. NEITHER RECEIPT NOR POSSESSION THEREOF CONFERS ANY RIGHT TO REPRODUCE, USE, OR DISCLOSE, IN WHOLE OR PART, ANY SUCH INFORMATION WITHOUT WRITTEN AUTHORIZATION FROM HYDRO-GEAR. THE SPECIFICATIONS AND PRODUCT PROFILE DEPICTED HEREIN ARE APPROXIMATE REPRESENTATIONS SUBJECT TO CHANGE WITHOUT NOTICE OR OBLIGATION. CONSULT YOUR HYDRO-GEAR REPRESENTATIVE TO OBTAIN THE ENGINEERING INFORMATION APPROPRIATE TO YOUR APPLICATION.

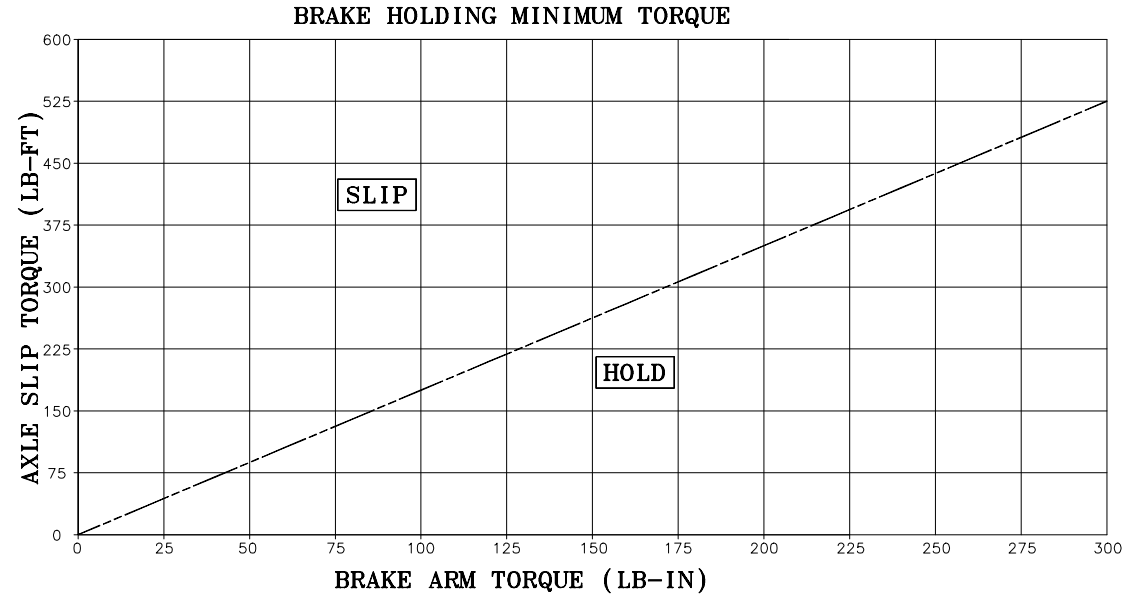
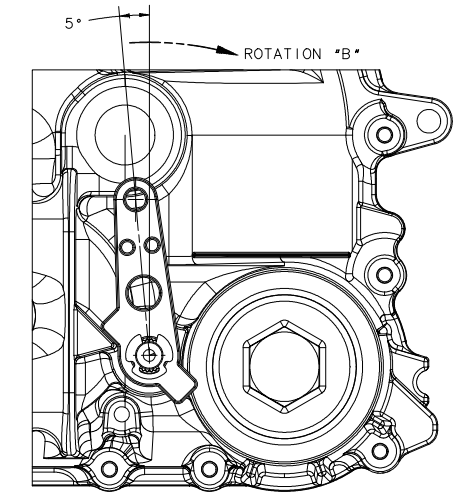
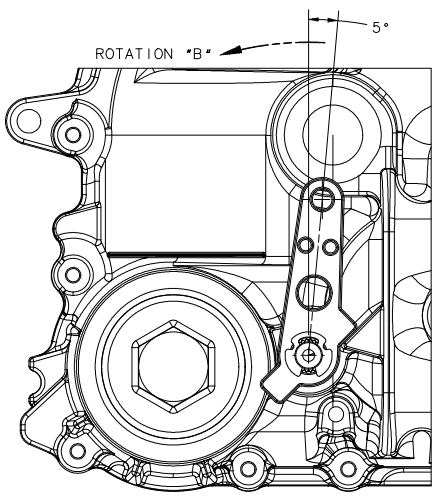
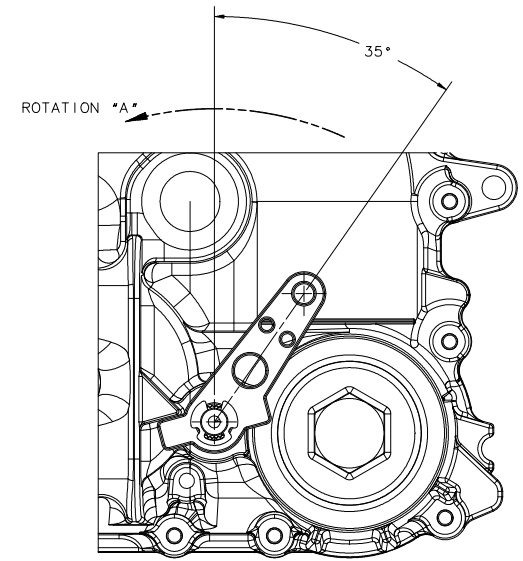
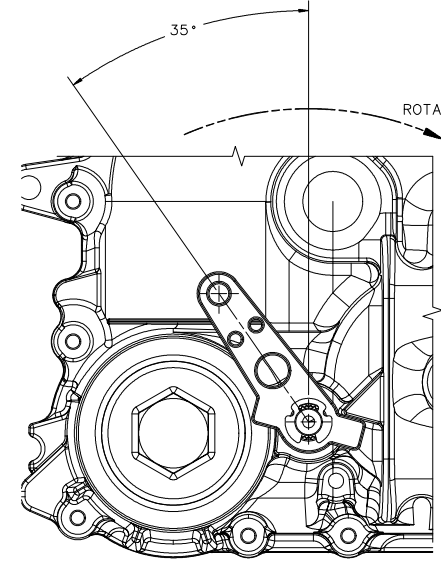
# BRAKE OPTIONS



**BRAKE ARM 53018**

**LEFT HAND UNIT**

**RIGHT HAND UNIT**



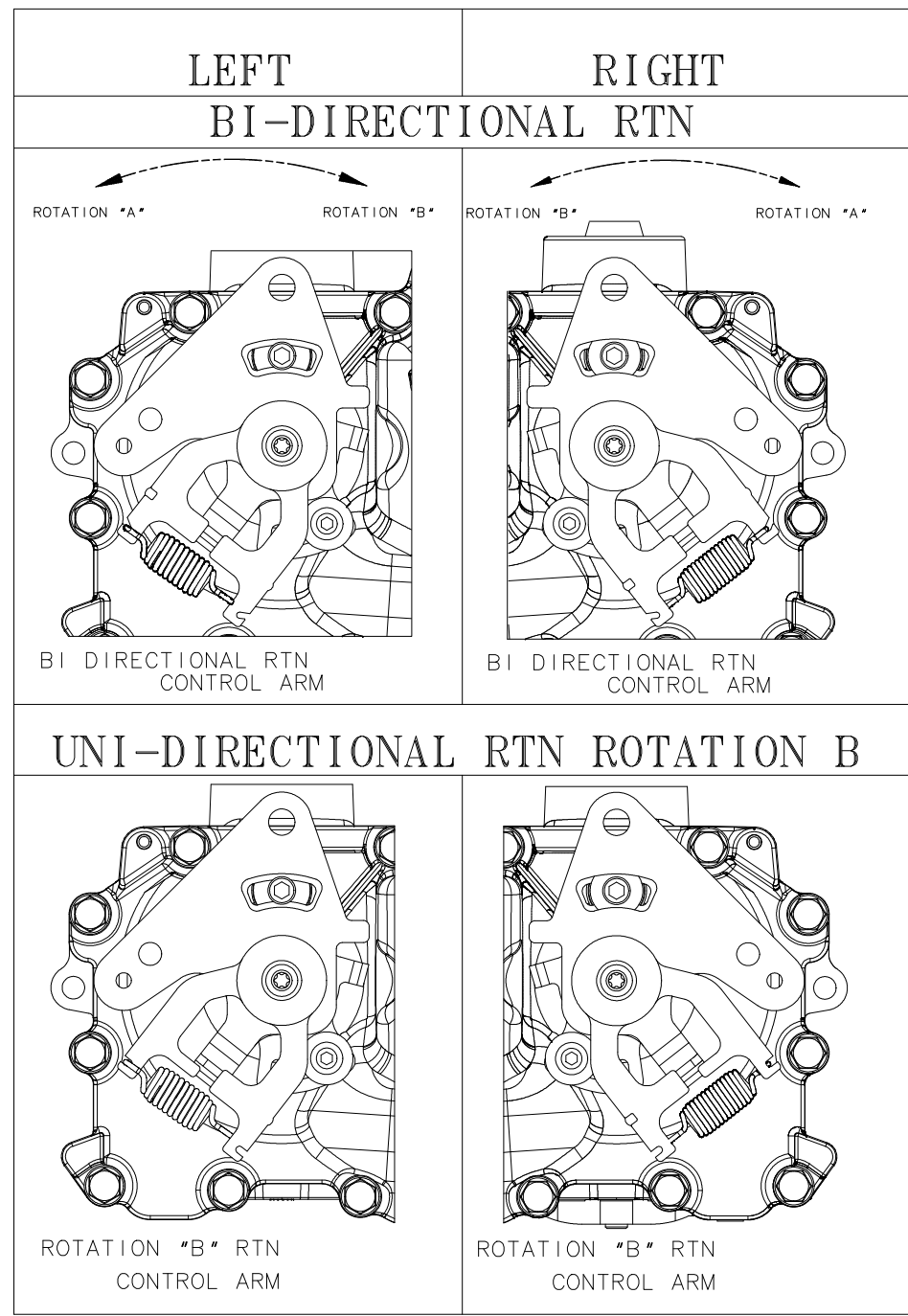
POSITION SHOWN IS WITH THE BRAKE DISENGAGED AGAINST HOUSING STOP  
 ROTATION IS BRAKE ARM ENGAGEMENT DIRECTION  
 BRAKE ENGAGEMENT IS 15-30 DEGREES  
 MAXIMUM TORQUE APPLIED 300 IN-LBS  
 DEACTUATION TORQUE REQUIRED 50 IN-LBS MIN

SHEET 4 OF 7

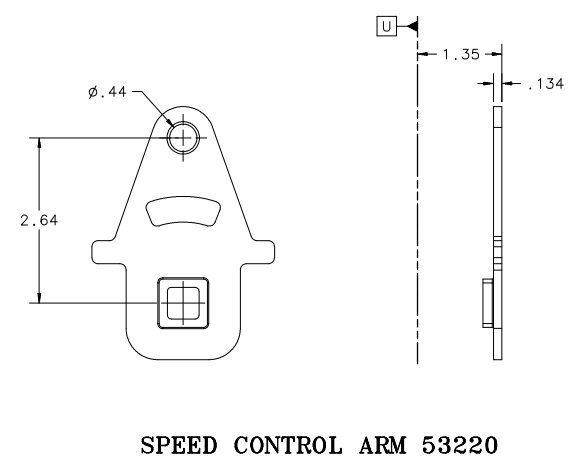
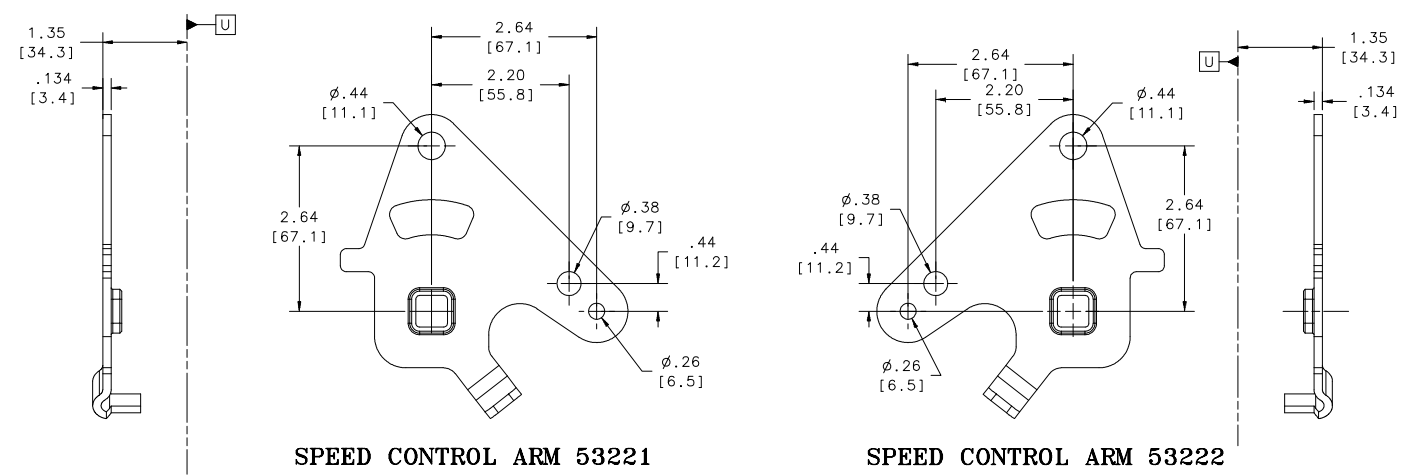
FRAME E	1-BEAS
DATE DRAWN	05/07/10
DRAWN BY	TB
SCALE	FULL
REVISION DATE	07-12-12
PART NUMBER	71883

111 S. WILMOT ST. SALLINA, IL 61551 PHONE (217) 728-2561  
 NAME ZT-5400 POWERTRAIN SALES DRAWING

NOTICE - THIS DRAWING CONTAINS HYDRO-GEAR PROPRIETARY INFORMATION. NEITHER RECEIPT NOR POSSESSION THEREOF CONFERS ANY RIGHT TO REPRODUCE, USE, OR DISCLOSE, IN WHOLE OR PART, ANY SUCH INFORMATION WITHOUT WRITTEN AUTHORIZATION FROM HYDRO-GEAR. THE SPECIFICATIONS AND PRODUCT PROFILE DEPICTED HEREIN ARE APPROXIMATE REPRESENTATIONS SUBJECT TO CHANGE WITHOUT NOTICE OR OBLIGATION. CONSULT YOUR HYDRO-GEAR REPRESENTATIVE TO OBTAIN THE ENGINEERING INFORMATION APPROPRIATE TO YOUR APPLICATION.



## CONTROL OPTIONS



### CONTROL LOGIC AND RETURN TO NEUTRAL OPTIONS

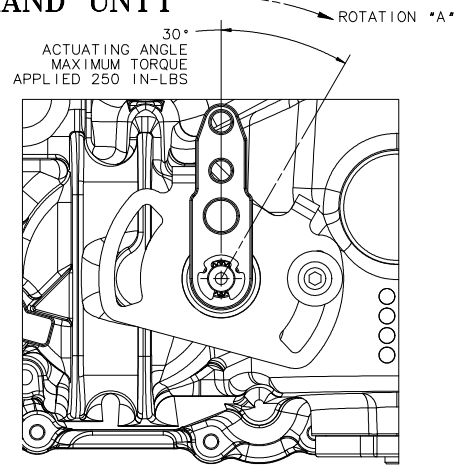
PUMP INPUT DIRECTION	PUMP SWASH DIRECTION	AXLE ROTATION	RTN TYPE	RESTORING MOMENT
CW	A	B	BI-DIRECTIONAL	YES
			ROTATION B	YES
	B	A	BI-DIRECTIONAL	YES
			ROTATION B	NO

# TRANSPORT SPEED OPTIONS

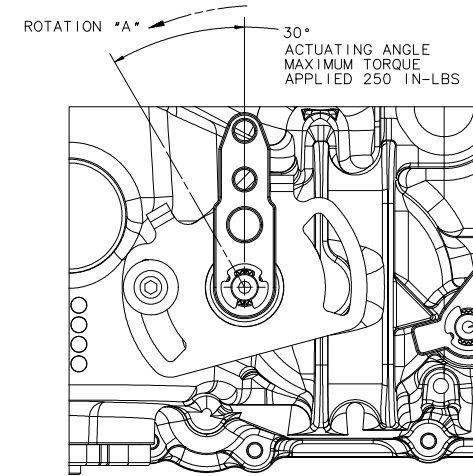
POSITION SHOWN IS WITH  
THE TRANSPORT SPEED DISENGAGED  
ROTATION IS TRANSPORT SPEED ARM  
ENGAGEMENT DIRECTION

HYDRO-GEAR RECOMMENDS THE USE OF  
AN INTERLOCK TO PREVENT TRANSPORT  
SPEED ENGAGEMENT WHILE MOWING.

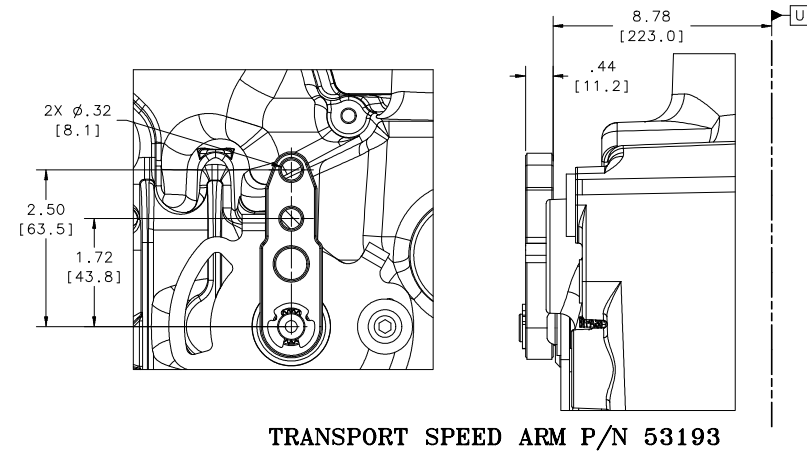
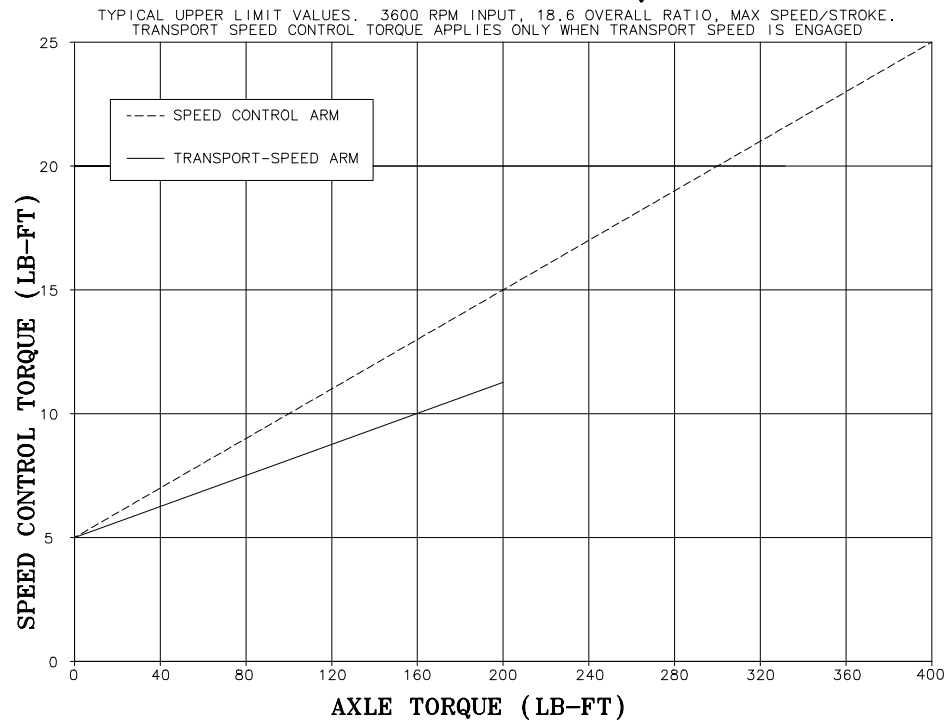
## LEFT HAND UNIT



## RIGHT HAND UNIT



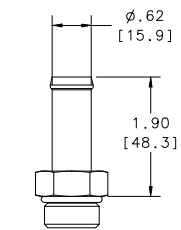
## SPEED CONTROL ARM TORQUE



NOTICE - THIS DRAWING CONTAINS HYDRO-GEAR PROPRIETARY INFORMATION. NEITHER RECEIPT NOR POSSESSION THEREOF CONFERS ANY RIGHT TO REPRODUCE, USE, OR DISCLOSE, IN WHOLE OR PART, ANY SUCH INFORMATION WITHOUT WRITTEN AUTHORIZATION FROM HYDRO-GEAR. THE SPECIFICATIONS AND PRODUCT PROFILE DEPICTED HEREIN ARE APPROXIMATE REPRESENTATIONS SUBJECT TO CHANGE WITHOUT NOTICE OR OBLIGATION. CONSULT YOUR HYDRO-GEAR REPRESENTATIVE TO OBTAIN THE ENGINEERING INFORMATION APPROPRIATE TO YOUR APPLICATION.

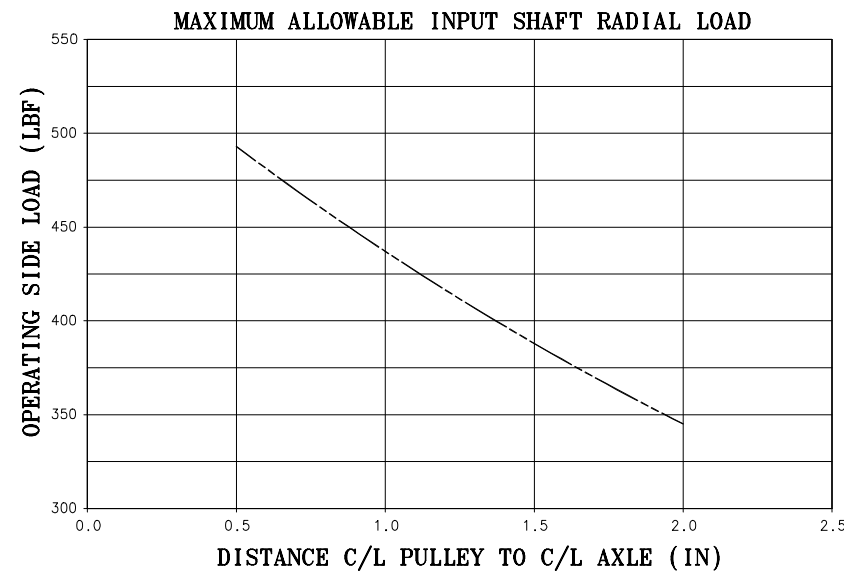
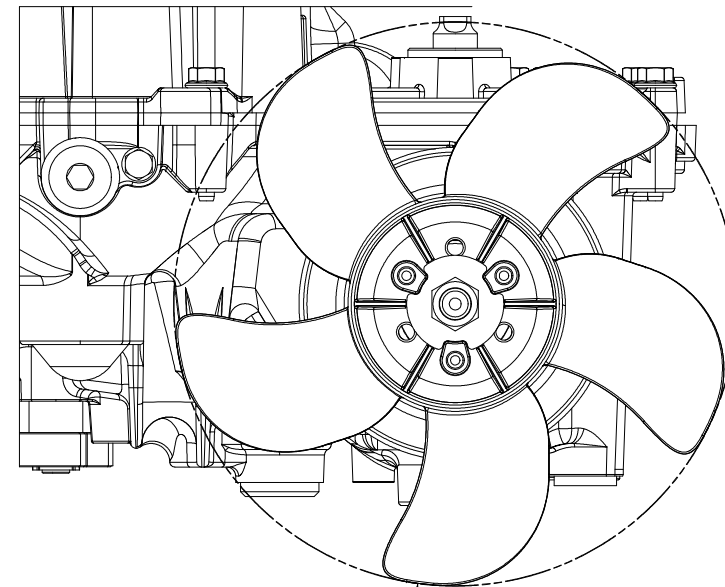
# FAN/PULLEY OPTIONS

\* EXPANSION TANK REQUIRED  
MIN 1000ml



## EXPANSION TANK HOSE FITTING 53037

AFTER THE OIL EXPANSION TANK IS ATTACHED,  
THE OIL LEVEL MUST BE INCREASED TO  
MINIMUM LEVELS.



PULLEY SHEAVES ARE "A-B" CROSS SECTION

FAN/PULLEY KIT	A	B	C	D	E	F
71905	1.50 [38.1]	3.54 [89.9]	1.93 [49.0]	5.00 [127.0]	5.48 [139.2]	9.00 [228.6]
71906	2.50 [63.5]	3.54 [89.9]	2.93 [74.4]	5.00 [127.0]	5.48 [139.2]	9.00 [228.6]

