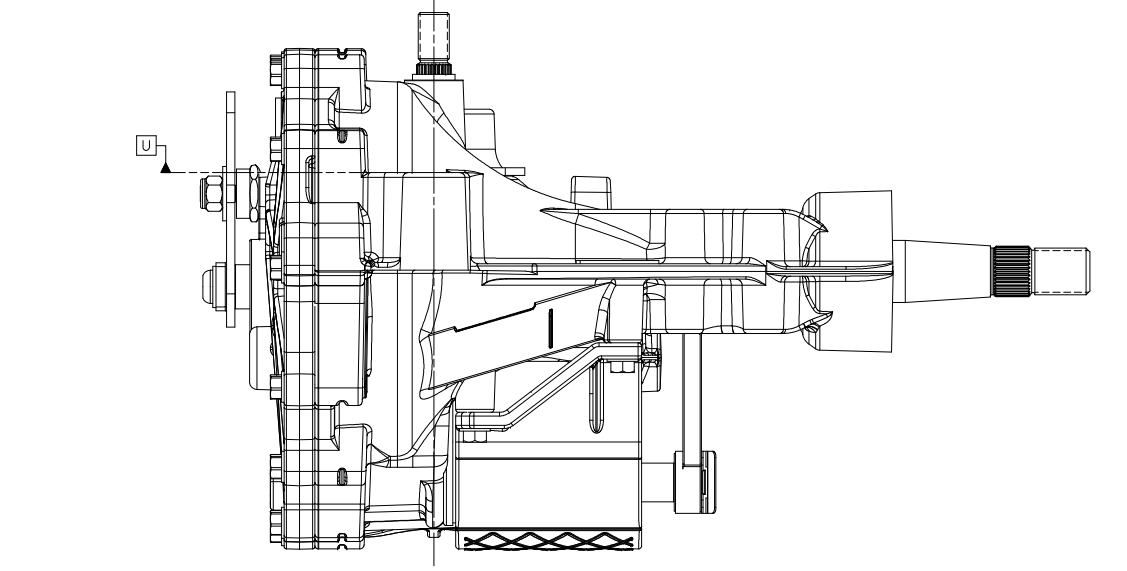
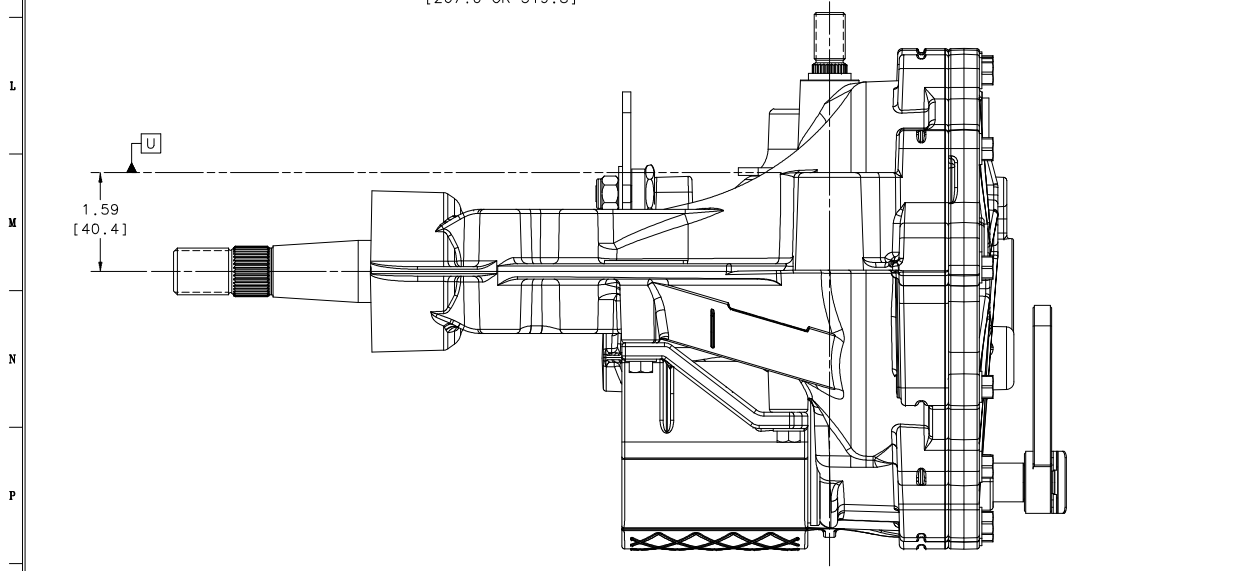
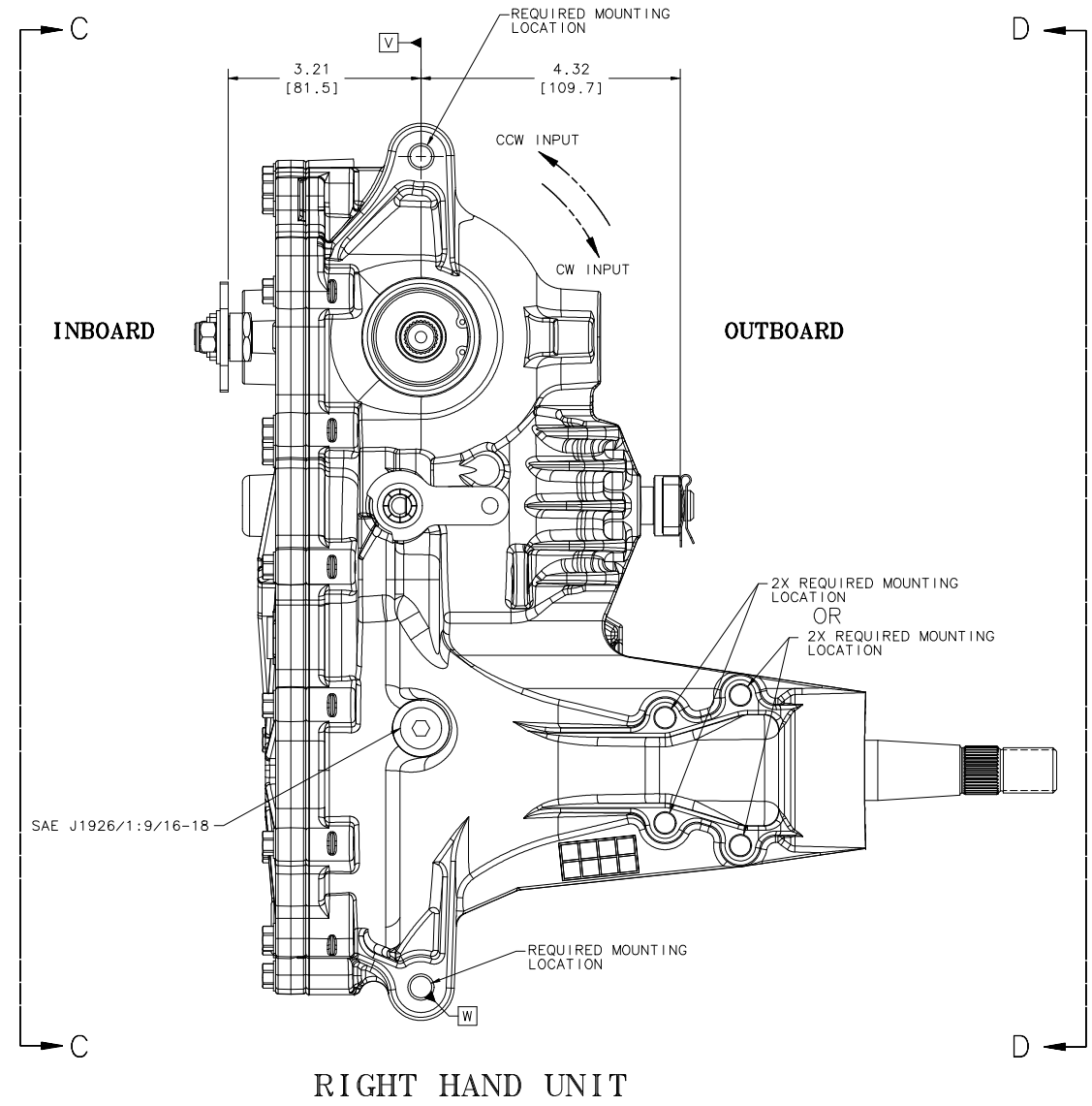
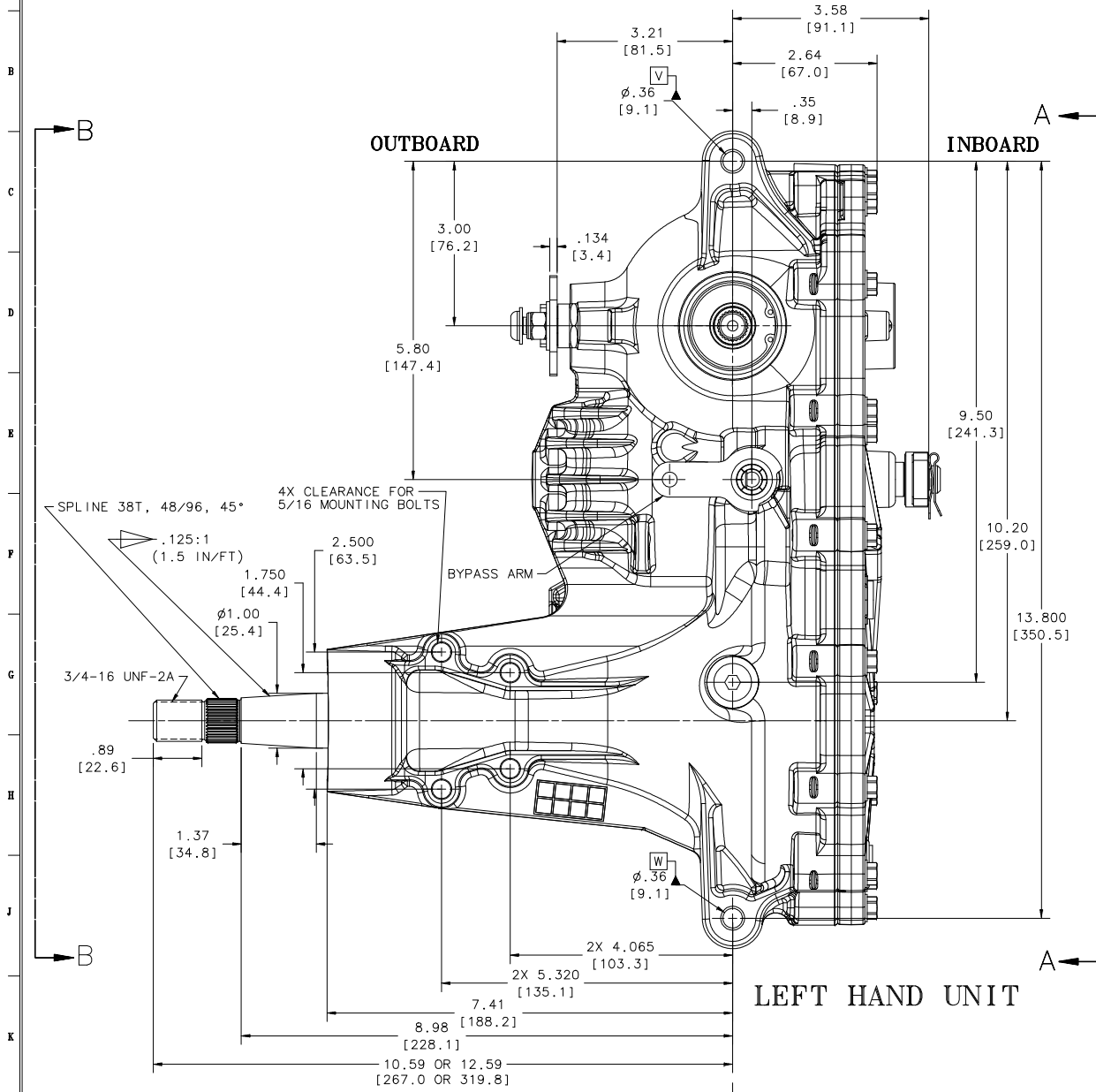


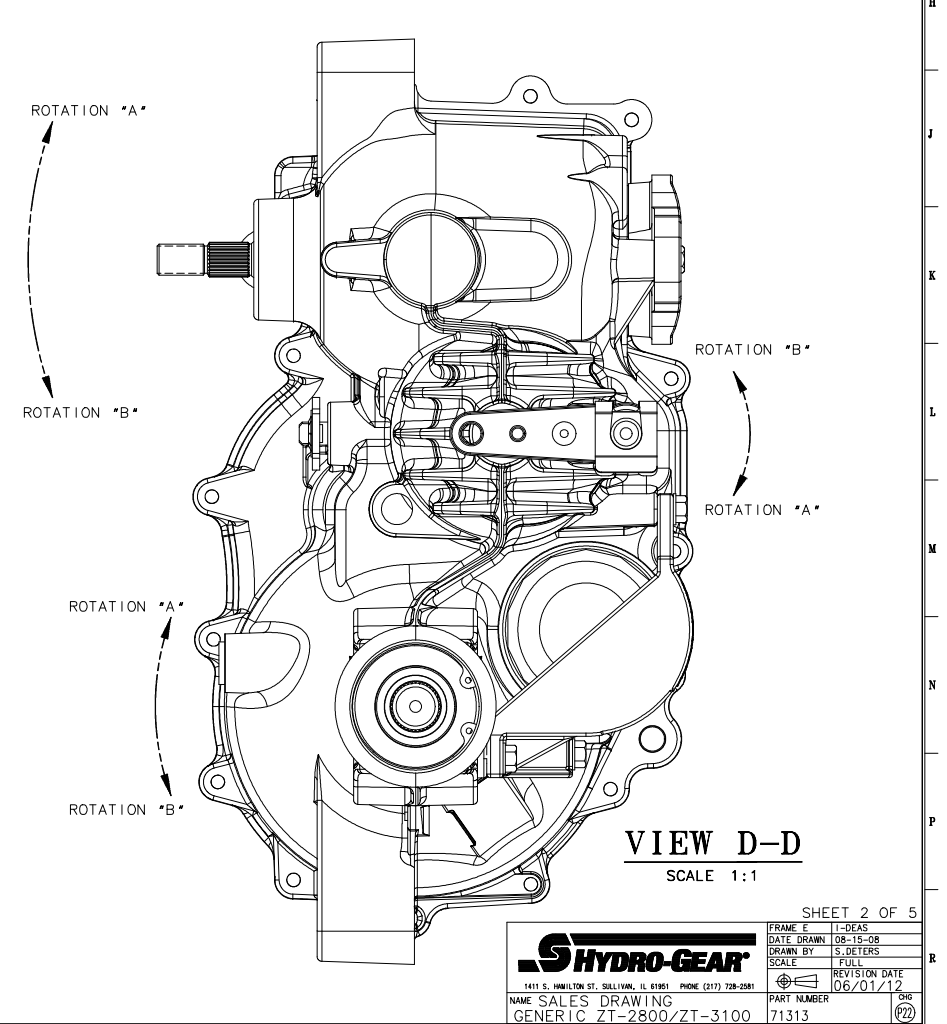
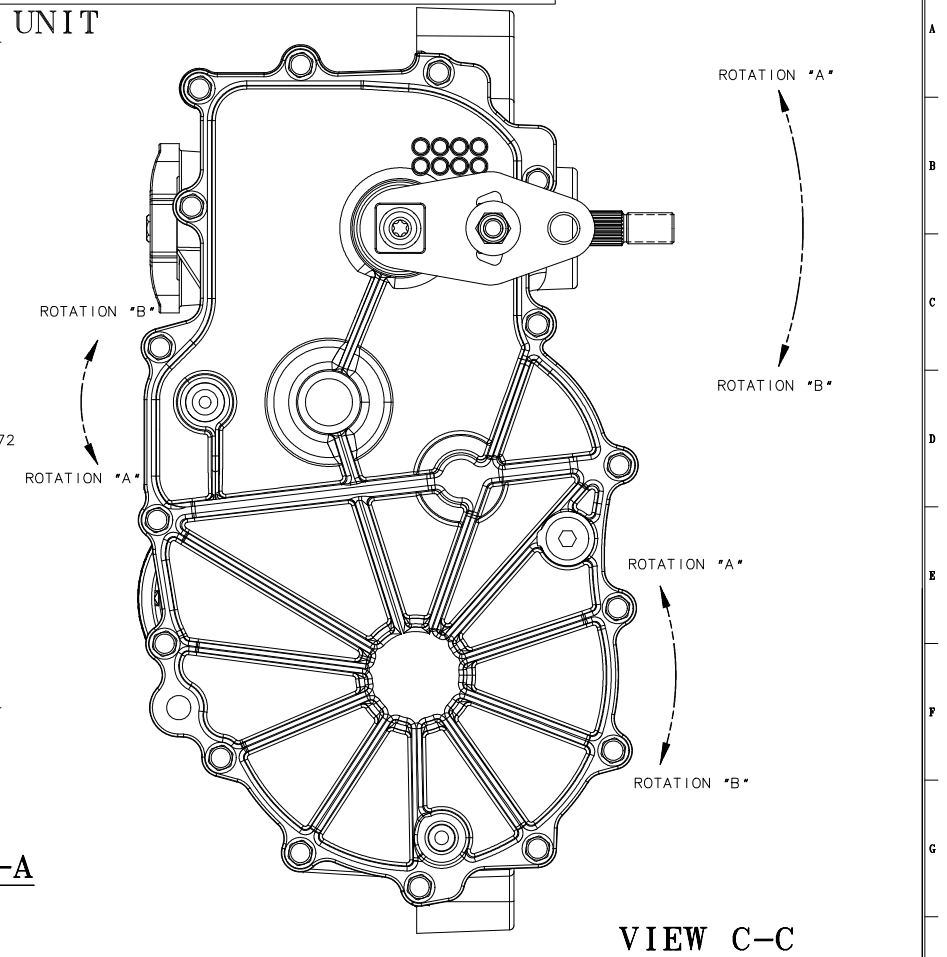
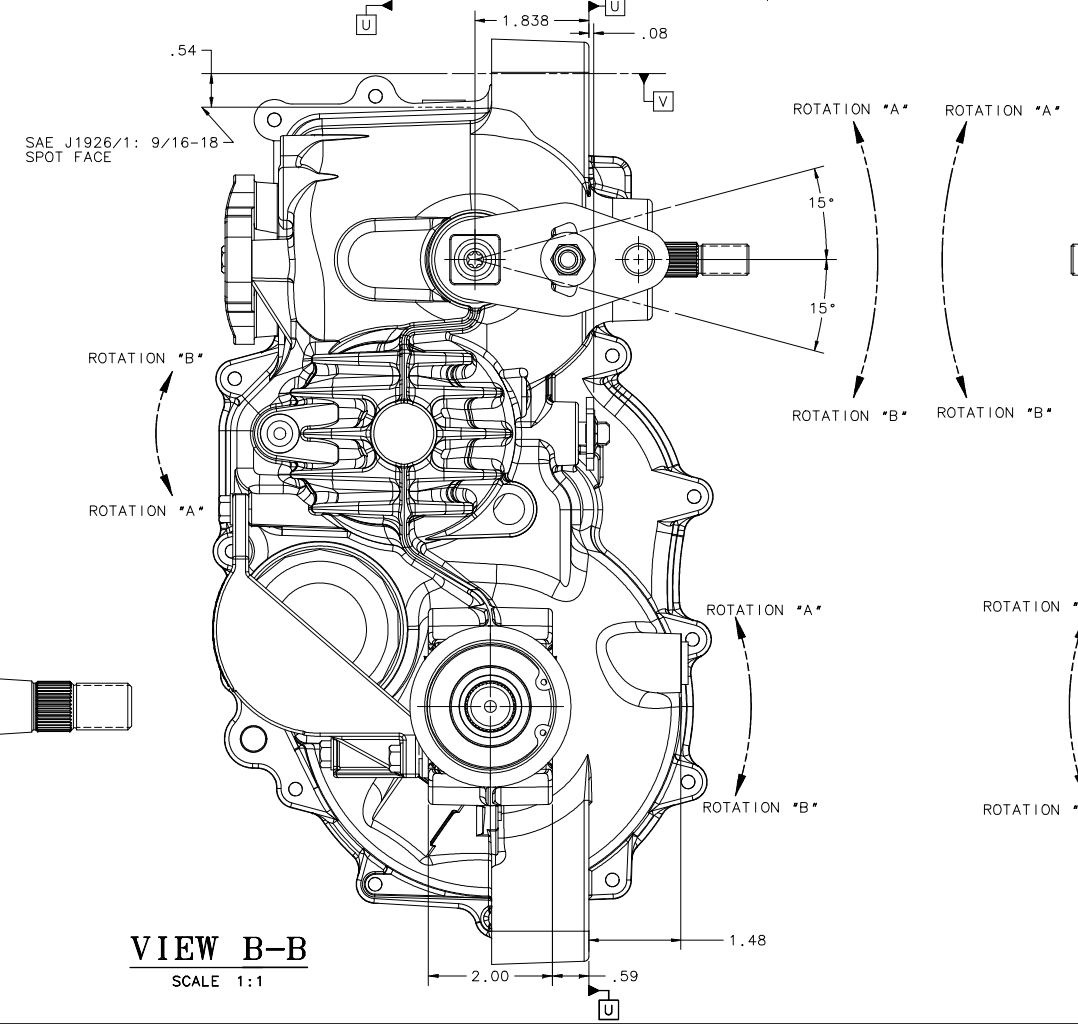
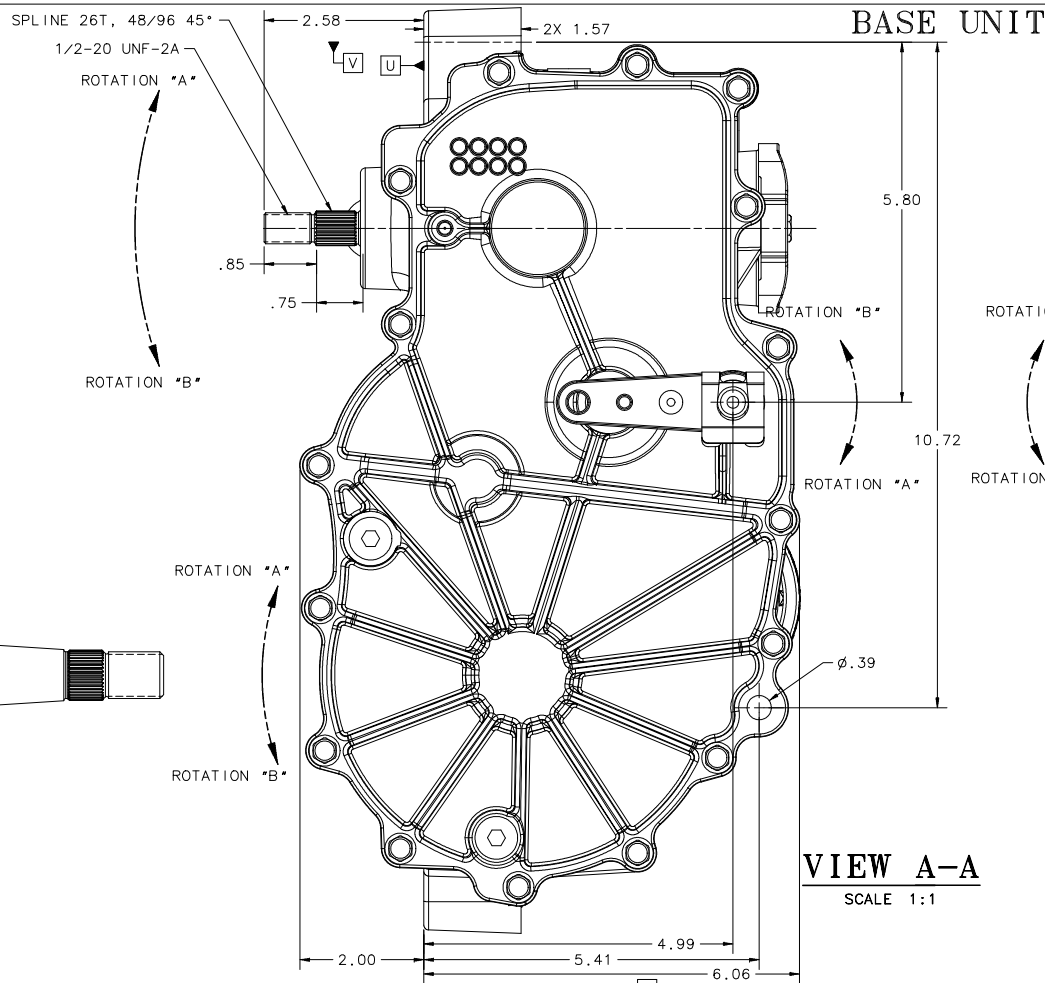
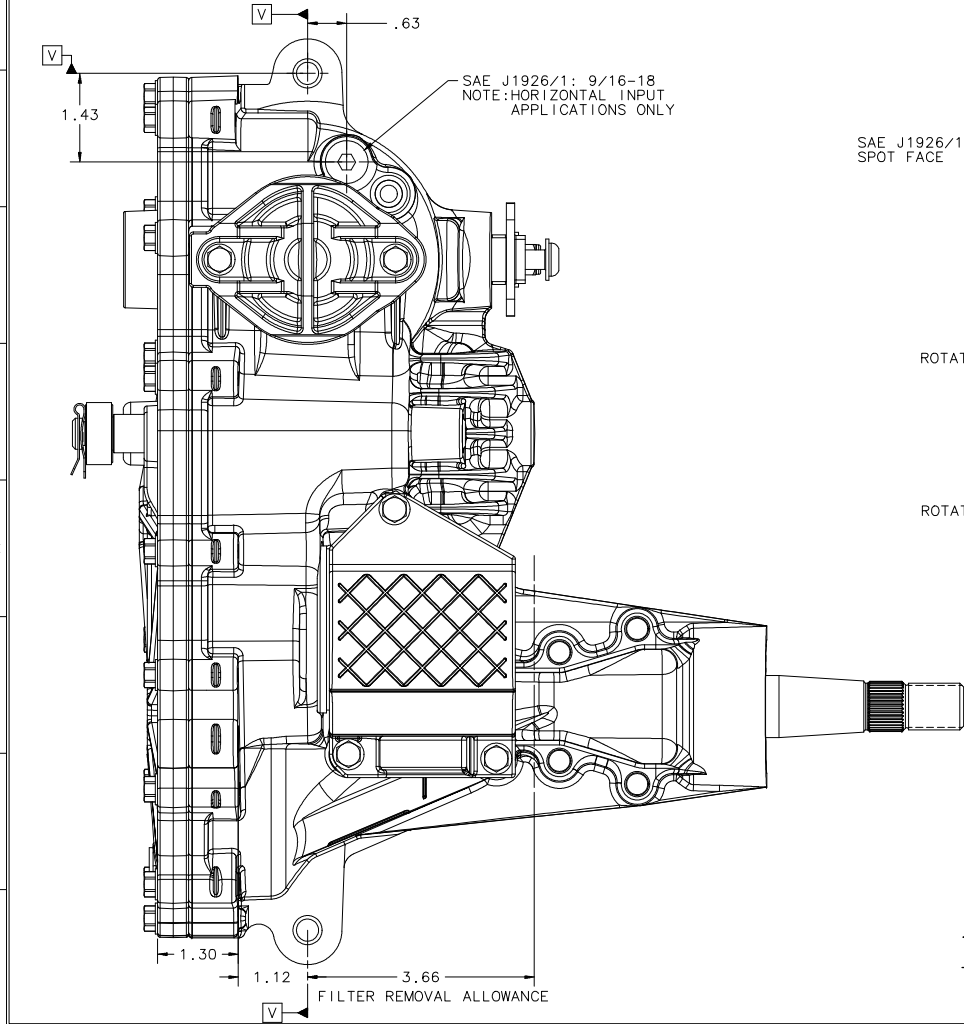
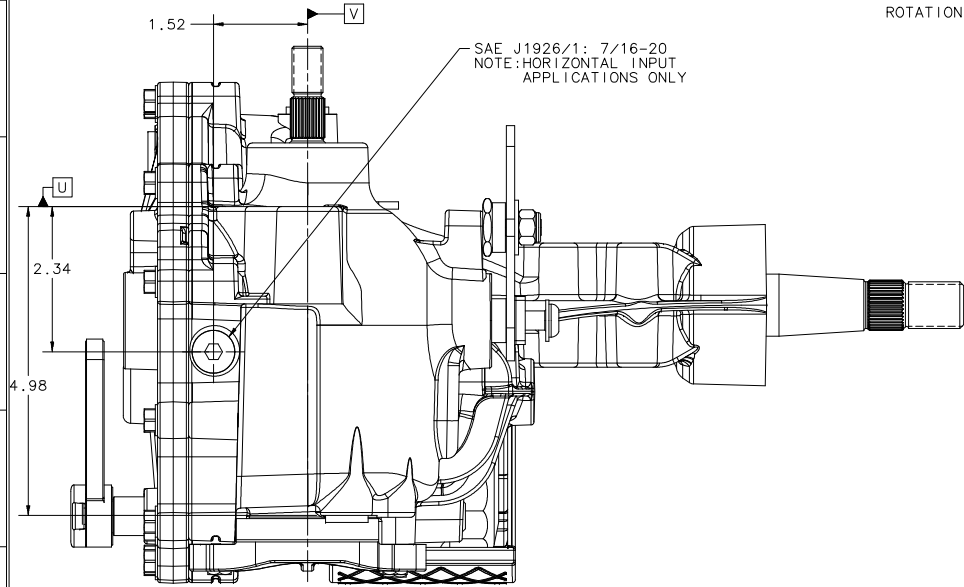
NOTICE - THIS DRAWING CONTAINS HYDRO-GEAR PROPRIETARY INFORMATION. NEITHER RECEIPT NOR POSSESSION THEREOF CONFERS ANY RIGHT TO REPRODUCE, USE, OR DISCLOSE, IN WHOLE OR PART, ANY SUCH INFORMATION WITHOUT WRITTEN AUTHORIZATION FROM HYDRO-GEAR. THE SPECIFICATIONS AND PRODUCT PROFILE DEPICTED HEREIN ARE APPROXIMATE REPRESENTATIONS SUBJECT TO CHANGE WITHOUT NOTICE OR OBLIGATION. CONSULT YOUR HYDRO-GEAR REPRESENTATIVE TO OBTAIN THE ENGINEERING INFORMATION APPROPRIATE TO YOUR APPLICATION.

BASE UNIT



NOTICE - THIS DRAWING CONTAINS HYDRO-GEAR PROPRIETARY INFORMATION. NEITHER RECEIPT NOR POSSESSION THEREOF CONFERS ANY RIGHT TO REPRODUCE, USE, OR DISCLOSE, IN WHOLE OR PART, ANY SUCH INFORMATION WITHOUT WRITTEN AUTHORIZATION FROM HYDRO-GEAR. THE SPECIFICATIONS AND PRODUCT PROFILE DEPICTED HEREIN ARE APPROXIMATE REPRESENTATIONS SUBJECT TO CHANGE WITHOUT NOTICE OR OBLIGATION. CONSULT YOUR HYDRO-GEAR REPRESENTATIVE TO OBTAIN THE ENGINEERING INFORMATION APPROPRIATE TO YOUR APPLICATION.

ROTATION DIRECTIONS		
INPUT SHAFT	CONTROL ARM	AXLE SHAFT
CW	A	B
CW	B	A
CCW	A	A
CCW	B	B



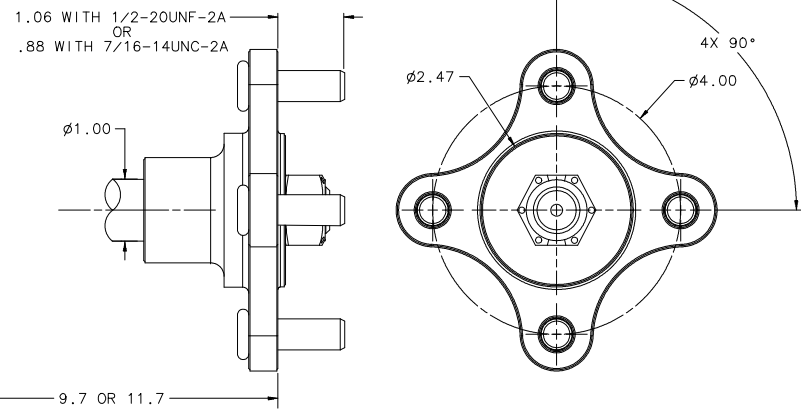
SHEET 2 OF 5

DATE DRAWN	08-15-08	SCALE	FULL
DRAWN BY	S. DEWERS	REVISION DATE	06/01/12
NAME SALES DRAWING	GENERIC ZT-2800/ZT-3100	PART NUMBER	71313

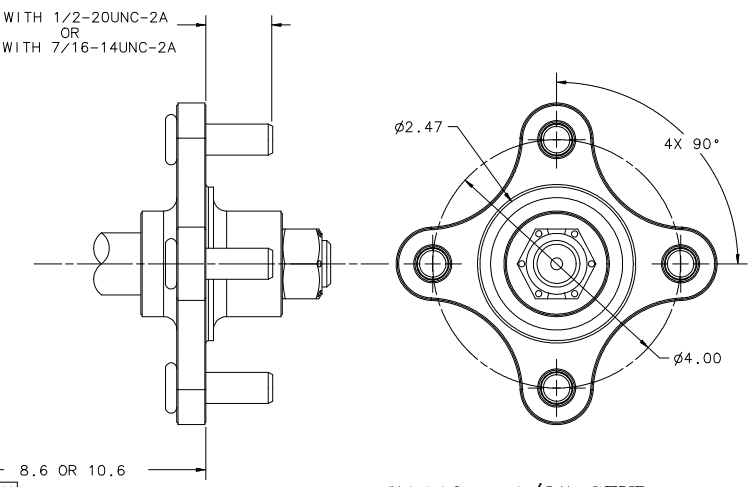
HYDRO-GEAR
1411 S. HAMILTON ST., SULLY, ILL. 61951 PHONE (217) 728-2581

NOTICE - THIS DRAWING CONTAINS HYDRO-GEAR PROPRIETARY INFORMATION. NEITHER RECEIPT NOR POSSESSION THEREOF CONFERS ANY RIGHT TO REPRODUCE, USE, OR DISCLOSE, IN WHOLE OR PART, ANY SUCH INFORMATION WITHOUT WRITTEN AUTHORIZATION FROM HYDRO-GEAR. THE SPECIFICATIONS AND PRODUCT PROFILE DEPICTED HEREIN ARE APPROXIMATE REPRESENTATIONS SUBJECT TO CHANGE WITHOUT NOTICE OR OBLIGATION. CONSULT YOUR HYDRO-GEAR REPRESENTATIVE TO OBTAIN THE ENGINEERING INFORMATION APPROPRIATE TO YOUR APPLICATION.

HUB OPTIONS

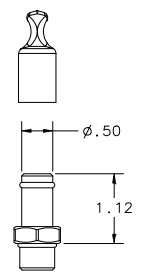


HUB 71405 - 1/2" STUD
HUB 71404 - 7/16" STUD

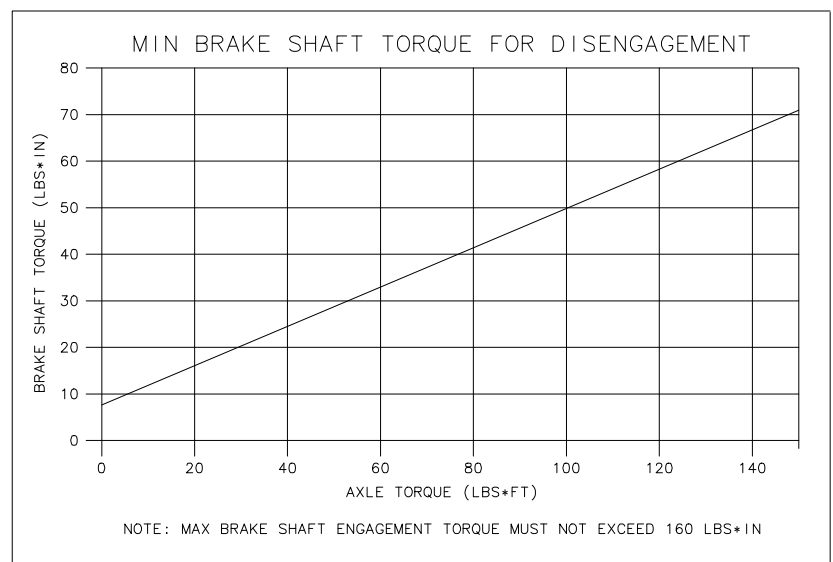


OFFSET 71446 - 1/2" STUD
OFFSET 71445 - 7/16" STUD

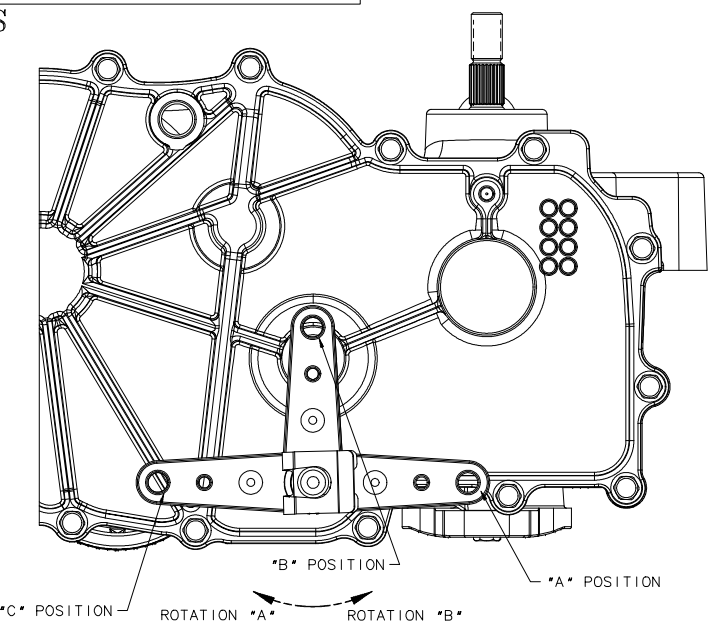
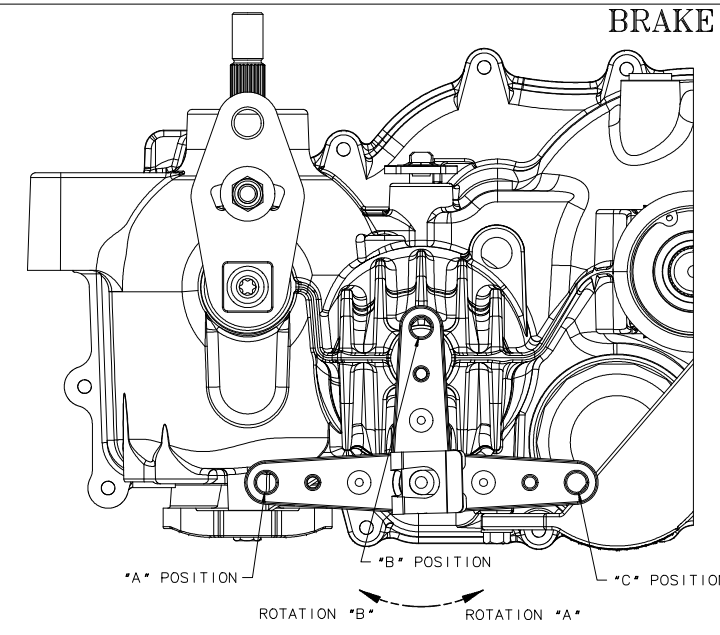
SHIPPING CAP MUST BE REMOVED BEFORE ASSEMBLY ON TRACTOR



BREATHER FITTING 71393

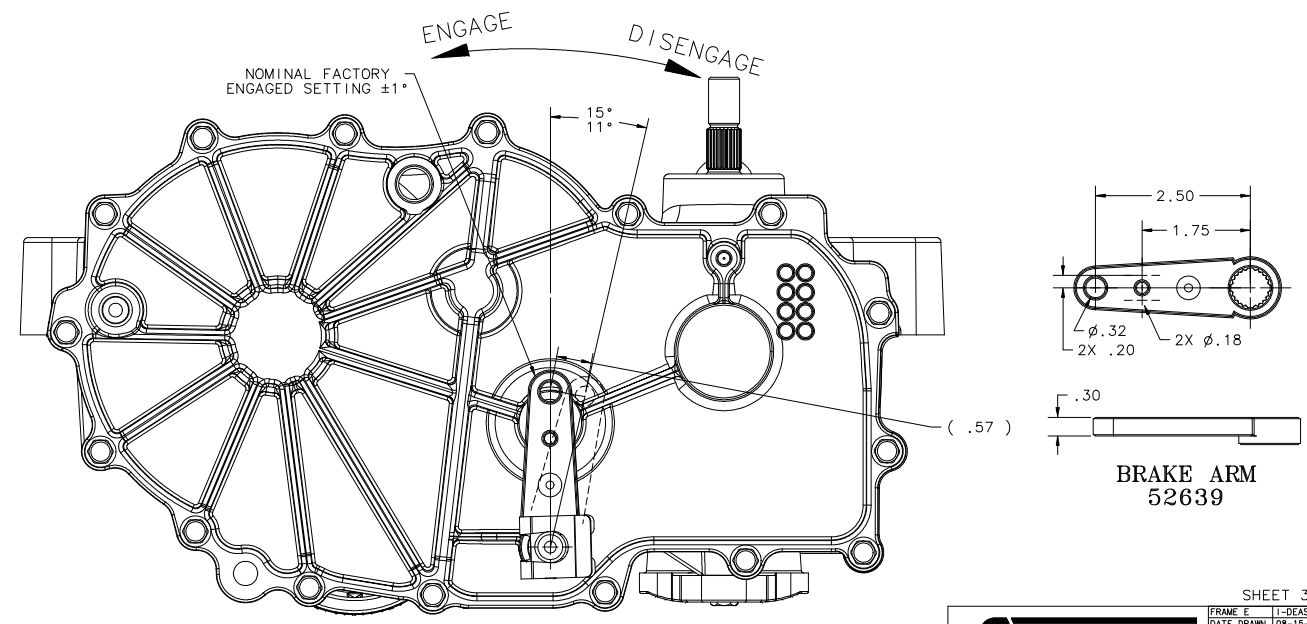
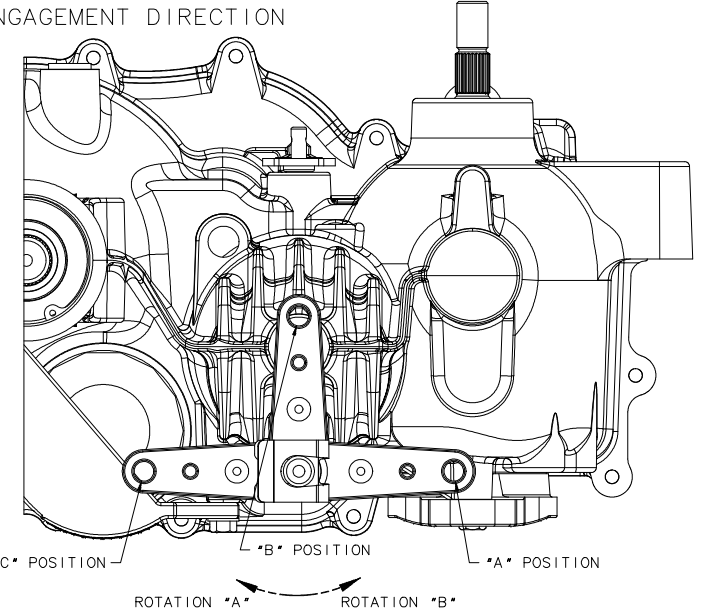
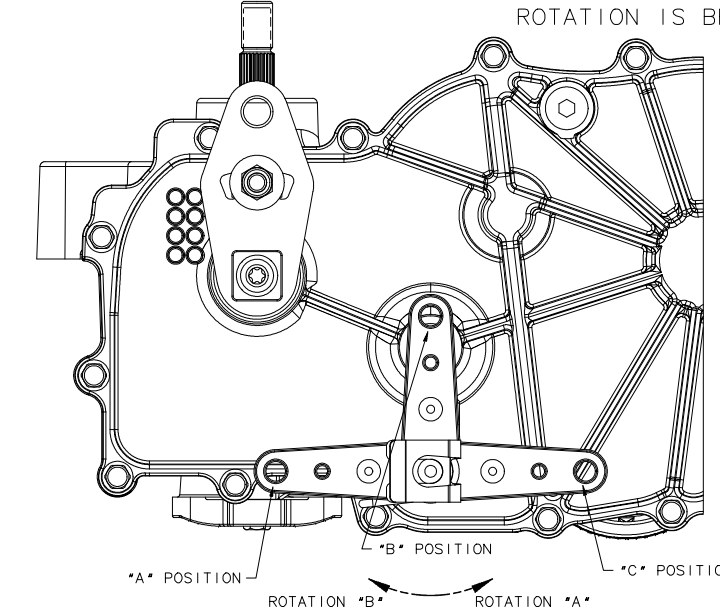


BRAKE OPTIONS



POSITION SHOWN IS WITH THE BRAKE ENGAGED

ROTATION IS BRAKE ARM ENGAGEMENT DIRECTION



BRAKE ARM 52639

VIEW SHOWN REFLECTS ROTATION B

SHEET 3 OF 5

FRAME 5	1-DEAS
DATE DRAWN	08-15-08
DRAWN BY	S. PETERS
SCALE	FULL
REVISION DATE	06/01/12
NAME SALES DRAWING	PART NUMBER
GENERIC ZT-2800/ZT-3100	71313

1411 S. HAMILTON ST., SULLY, ILL. 61951 PHONE (217) 728-2581

NOTICE - THIS DRAWING CONTAINS HYDRO-GEAR PROPRIETARY INFORMATION. NEITHER RECEIPT NOR POSSESSION THEREOF CONFERS ANY RIGHT TO REPRODUCE, USE, OR DISCLOSE, IN WHOLE OR PART, ANY SUCH INFORMATION WITHOUT WRITTEN AUTHORIZATION FROM HYDRO-GEAR. THE SPECIFICATIONS AND PRODUCT PROFILE DEPICTED HEREIN ARE APPROXIMATE REPRESENTATIONS SUBJECT TO CHANGE WITHOUT NOTICE OR OBLIGATION. CONSULT YOUR HYDRO-GEAR REPRESENTATIVE TO OBTAIN THE ENGINEERING INFORMATION APPROPRIATE TO YOUR APPLICATION.

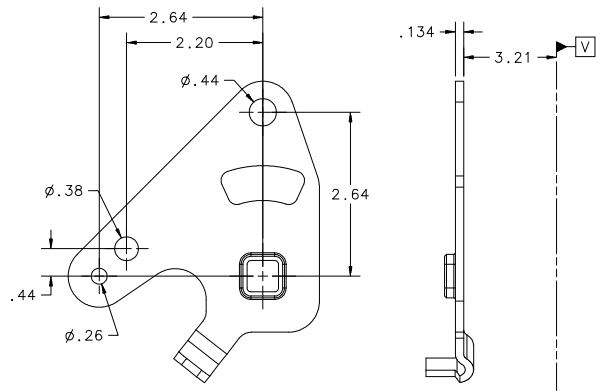
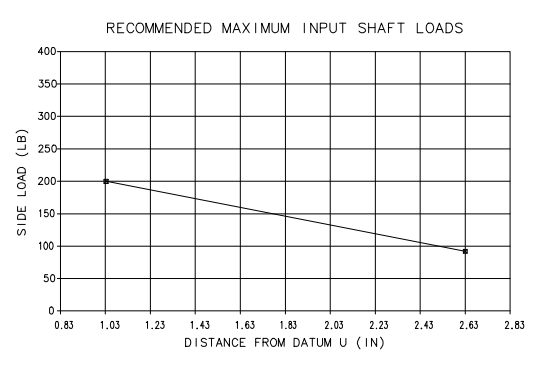
RETURN TO NEUTRAL OPTIONS

RTN TYPE	CONTROL ARM DIRECTION	
	STROKE	RESTORING MOMENT
BIDIRECTIONAL	A	B
	B	A
ROTATION A	A	A
	B	A
ROTATION B	A	B
	B	B

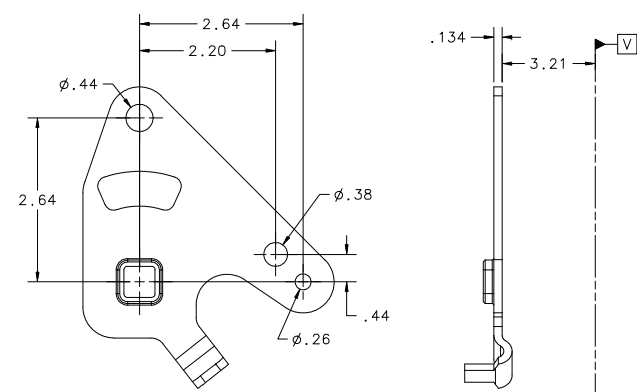
RETURN SPRING OPTIONS

SPRING TYPE	RESTORING MOMENT (LB-IN)
LIGHT (STD)	29
MEDIUM	37
HEAVY	46

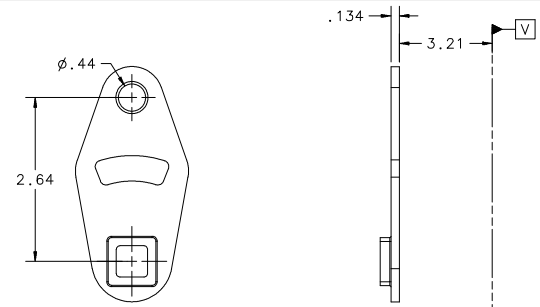
AXLE ROTATION IN FORWARD	INPUT SHAFT ROTATION	DESIRED RTN RESTORING MOMENT	RTN TYPE
A	CW	FROM FORWARD & REVERSE FROM FORWARD ONLY	BIDIRECTIONAL ROTATION A
		FROM REVERSE ONLY	ROTATION B
B	CW	FROM FORWARD & REVERSE FROM FORWARD ONLY	BIDIRECTIONAL ROTATION B
		FROM REVERSE ONLY	ROTATION A



CONTROL ARM 51842



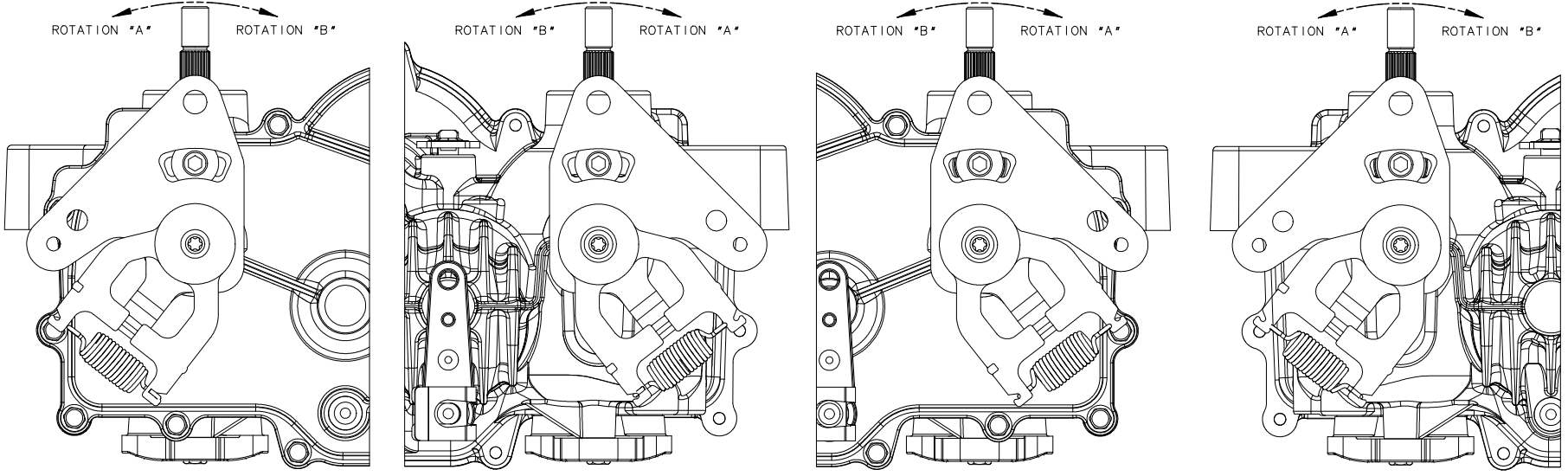
CONTROL ARM 51841



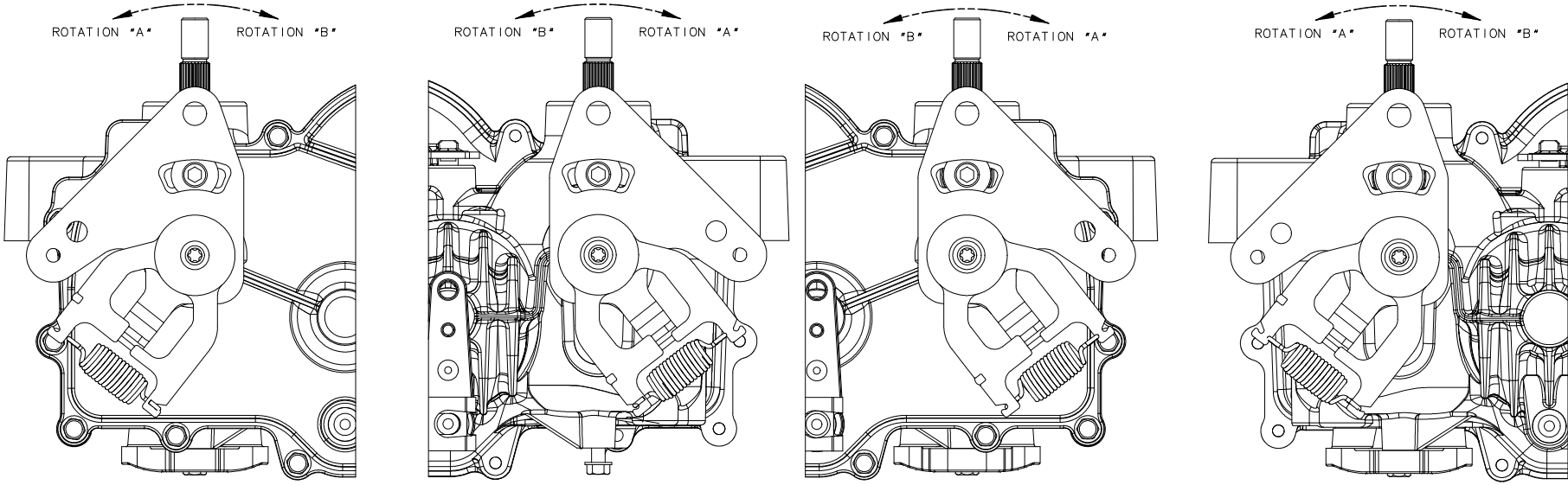
CONTROL ARM 51631

CONTROL OPTIONS

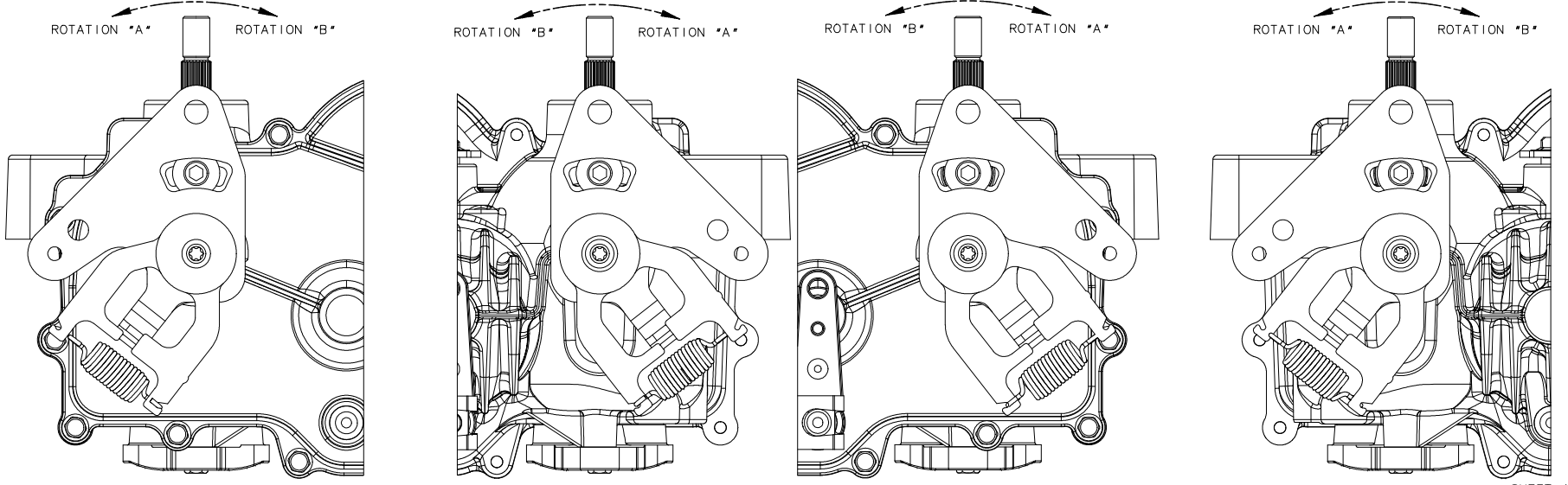
BI-DIRECTIONAL RTN



UNI-DIRECTIONAL RTN (CW)



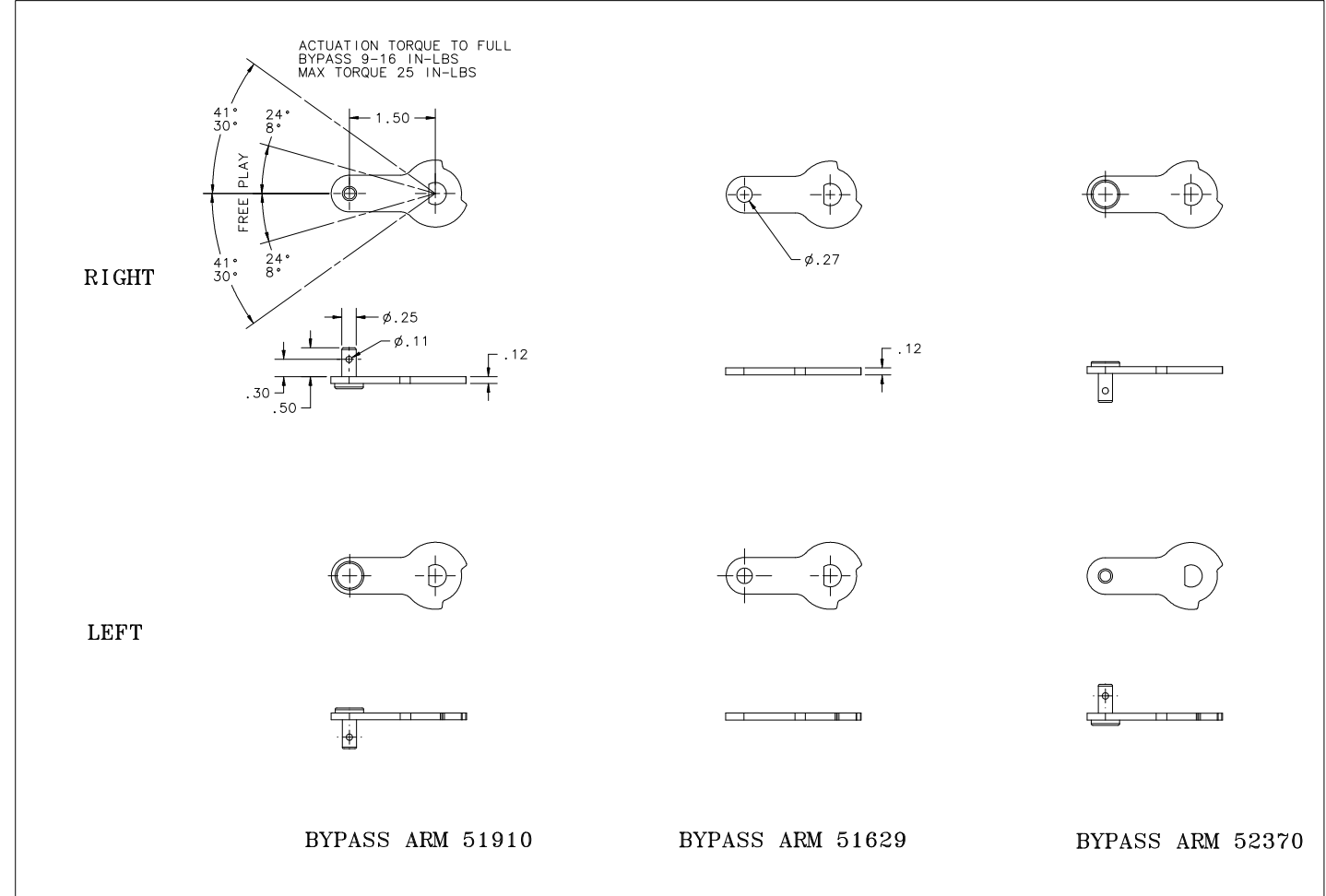
UNI-DIRECTIONAL RTN (CCW)



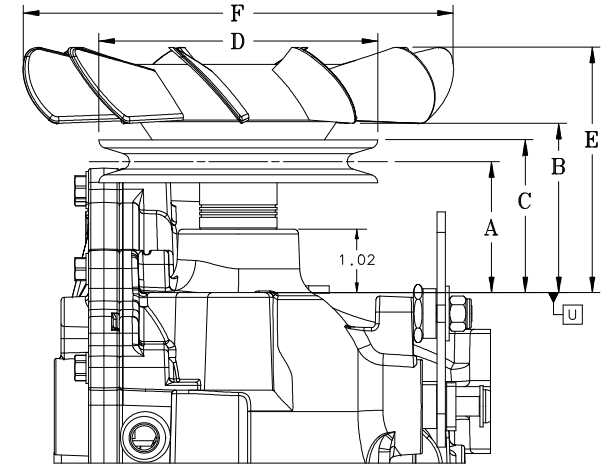
SHEET 4 OF 5

HYDRO-GEAR
 1411 S. HAMILTON ST., SULLY, ILL. 61081 PHONE (217) 728-2281
 NAME SALES DRAWING PART NUMBER 71313
 DATE DRAWN 08-15-08 DRAWN BY S. DETERS SCALE FULL REVISION DATE 06/01/12

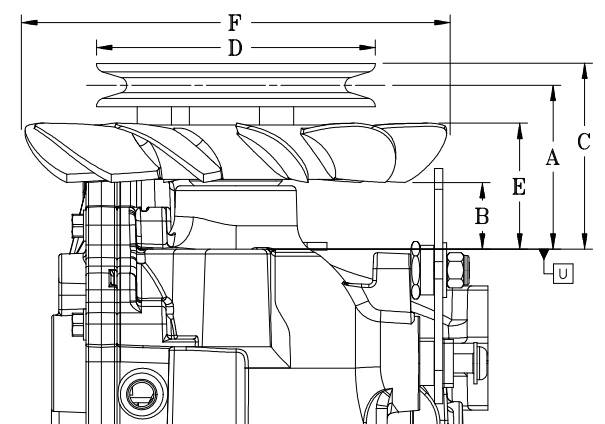
BYPASS ARM OPTIONS



FAN/PULLEY OPTIONS



FAN & PULLEY KIT	A	B	C	D	E	F	INPUT ROTATION
72124	2.66	3.19	3.00	ø4.50	4.39	ø7.00	CW
72125	2.16	2.69	2.50	ø4.50	3.94	ø7.00	CW
72126	1.74	2.27	2.08	ø4.50	3.50	ø7.00	CW
72130	1.24	1.77	1.58	ø4.00	2.97	ø7.00	CW
72131	1.24	1.77	1.58	ø4.50	2.97	ø7.00	CW
72132	1.24	1.77	1.58	ø5.00	2.97	ø7.00	CW
72271	1.24	2.27	1.58	ø5.00	3.50	ø7.00	CW



FAN & PULLEY KIT	A	B	C	D	E	F	INPUT ROTATION
72134	2.66	1.16	2.99	ø4.50	2.13	ø7.00	CW

NOTES:
 1. MAXIMUM FAN & PULLEY DISTANCE FROM U DATUM TO HIGHEST POINT IS 4.39 INCHES FOR SHIPPING IN RETURNABLE PACKAGING.