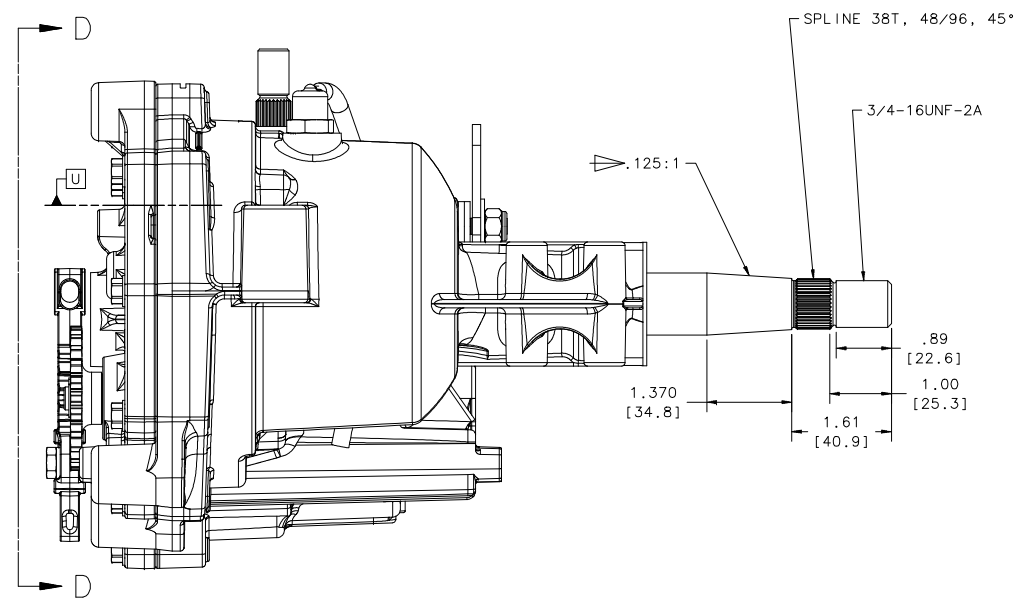
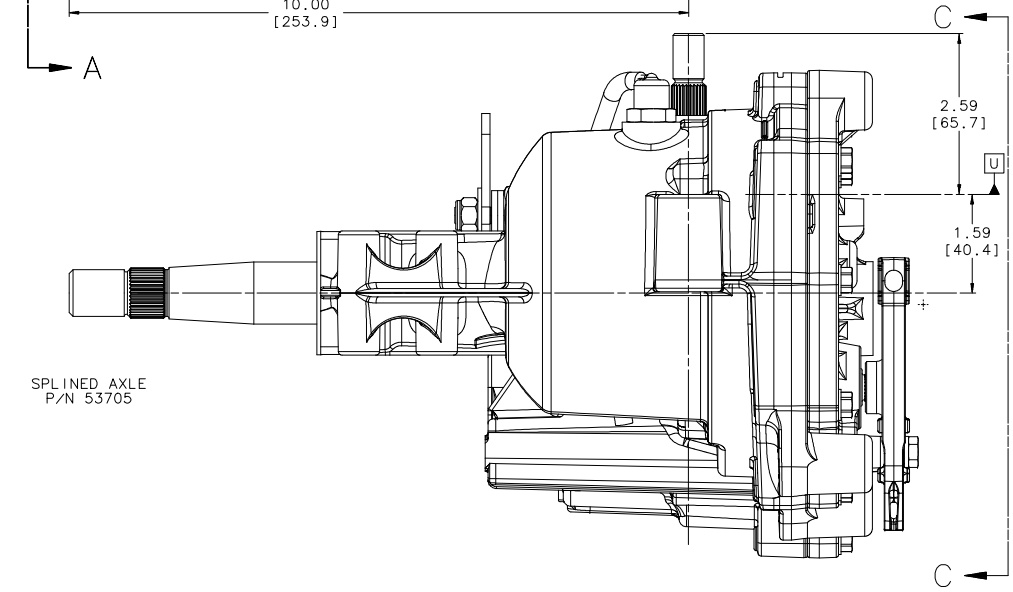
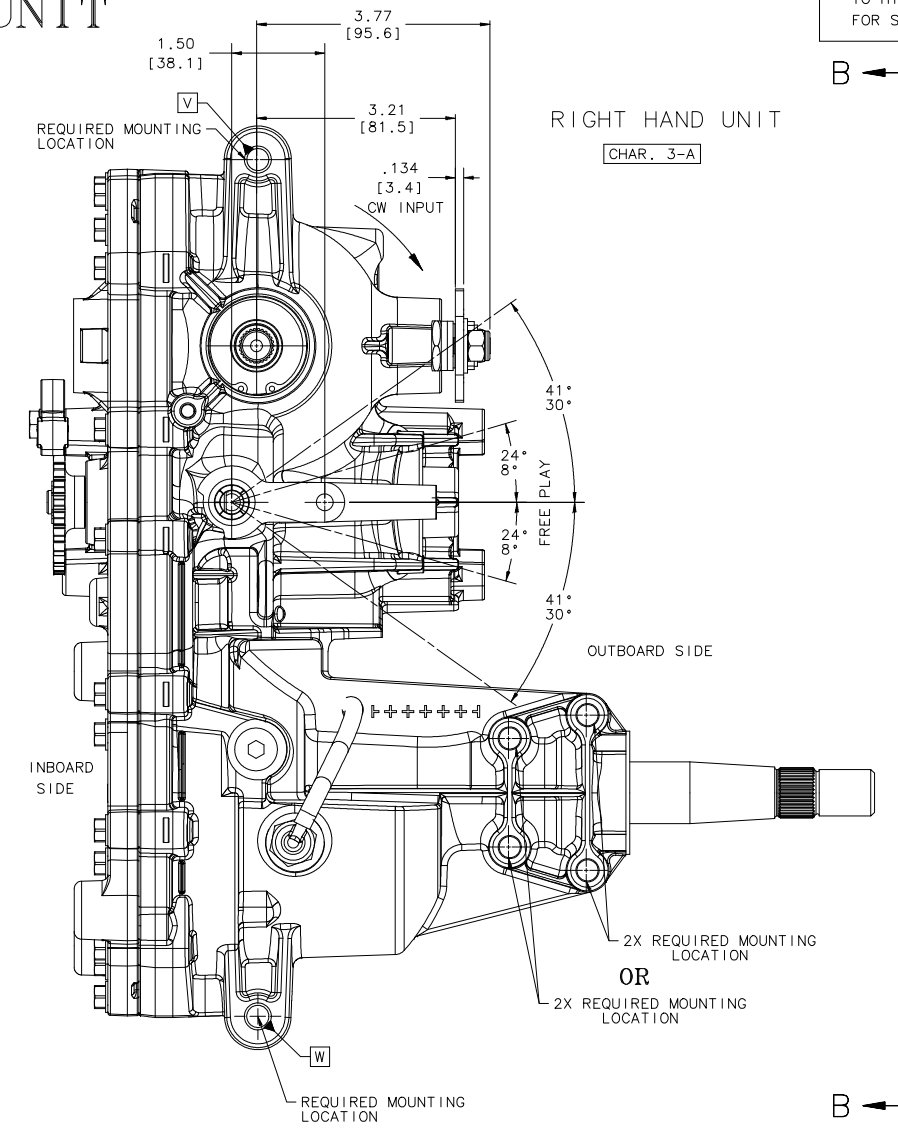
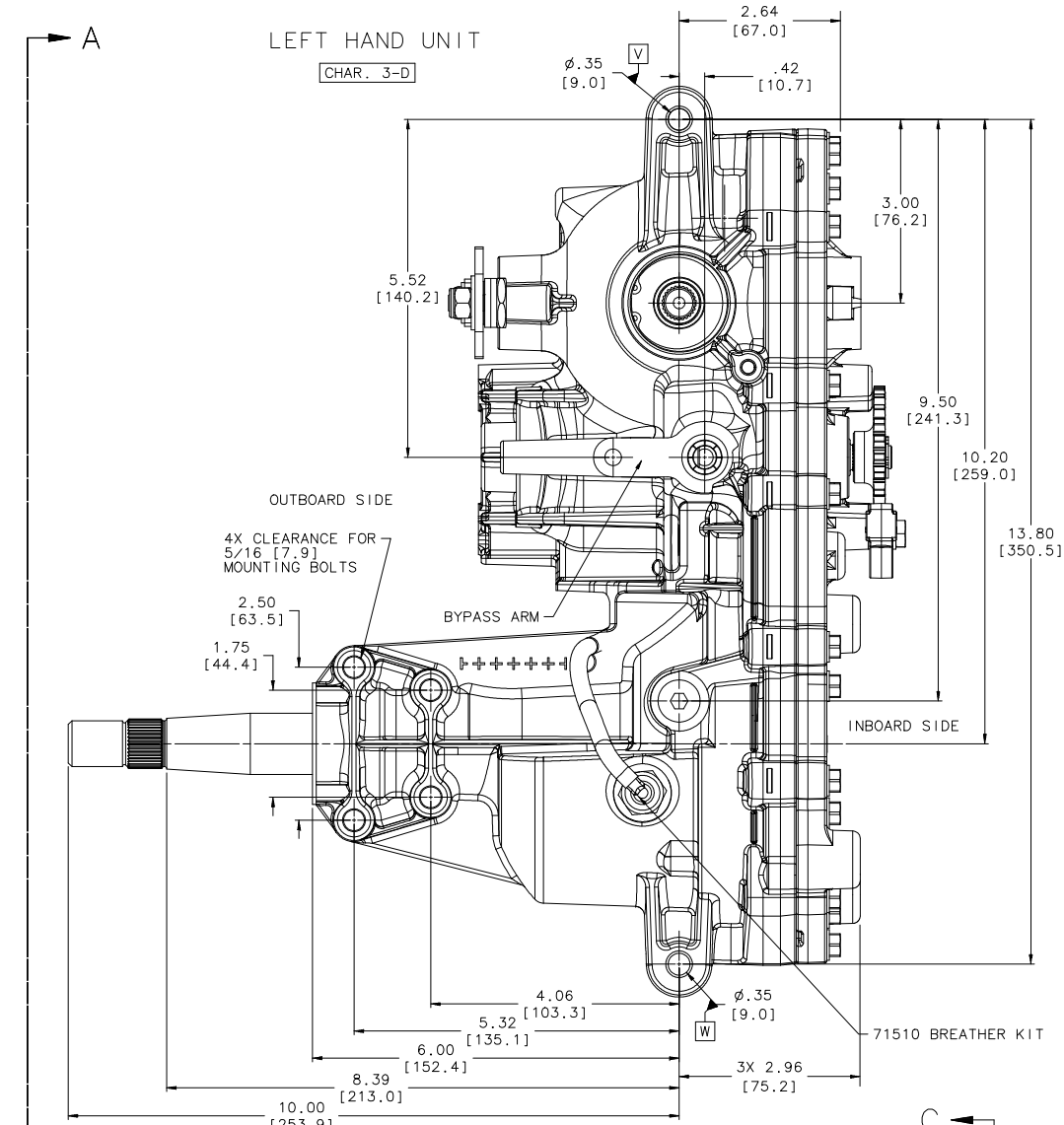


**NOTES:**

1. MAXIMUM FAN & PULLEY DISTANCE FROM U DATUM TO HIGHEST POINT IS 4.38 INCHES FOR SHIPPING IN RETURNABLE PACKAGING.

# BASE UNIT



FOR FURTHER CLARIFICATION OR SPECIFICATIONS CONSULT HYDRO-GEAR ENGINEERING DEPT. SPECIFICATIONS SUBJECT TO CHANGE.

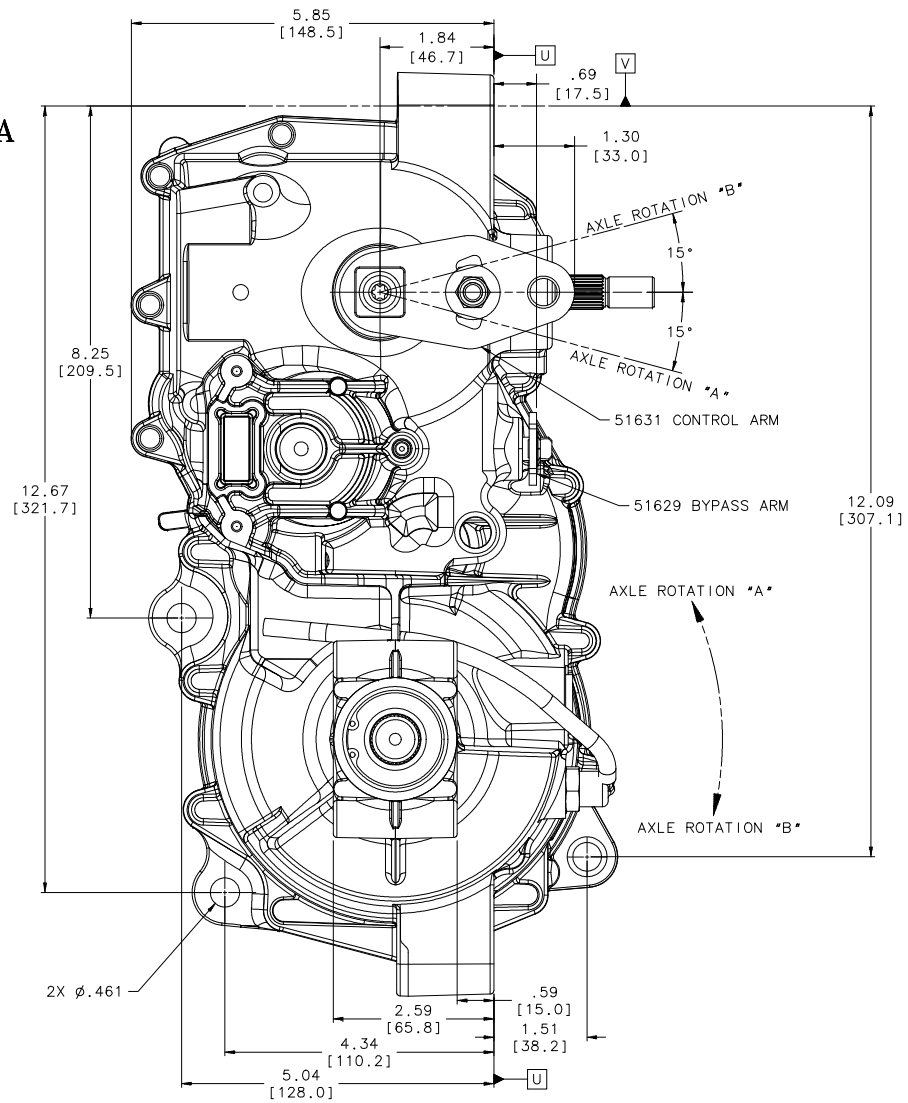
MODEL CONFIGURATION GUIDE 71128  
BOM CONFIGURATION GUIDE 71127  
SERVICE DRAWING 71509

SHEET 1 OF 7

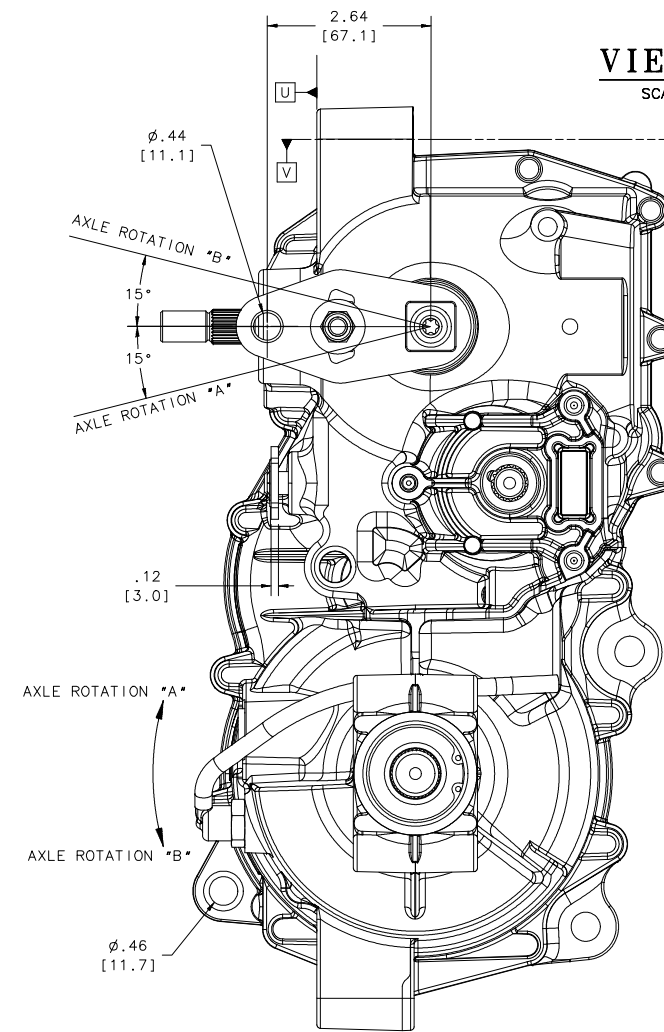
<b>HYDRO-GEAR</b>		DATE DRAWN: 05/16/07	DATE: 05/16/07
1411 S. HAMILTON ST. SULLY, IL 61951 PHONE (217) 728-2581		DRAWN BY: GSR	SCALE: FULL
NAME: EZT, GENERIC SALES DRAWING		REVISION DATE: 08/04/12	REVISION: 015
PART NUMBER: 71670		PART NUMBER: 71670	

# BASE UNIT

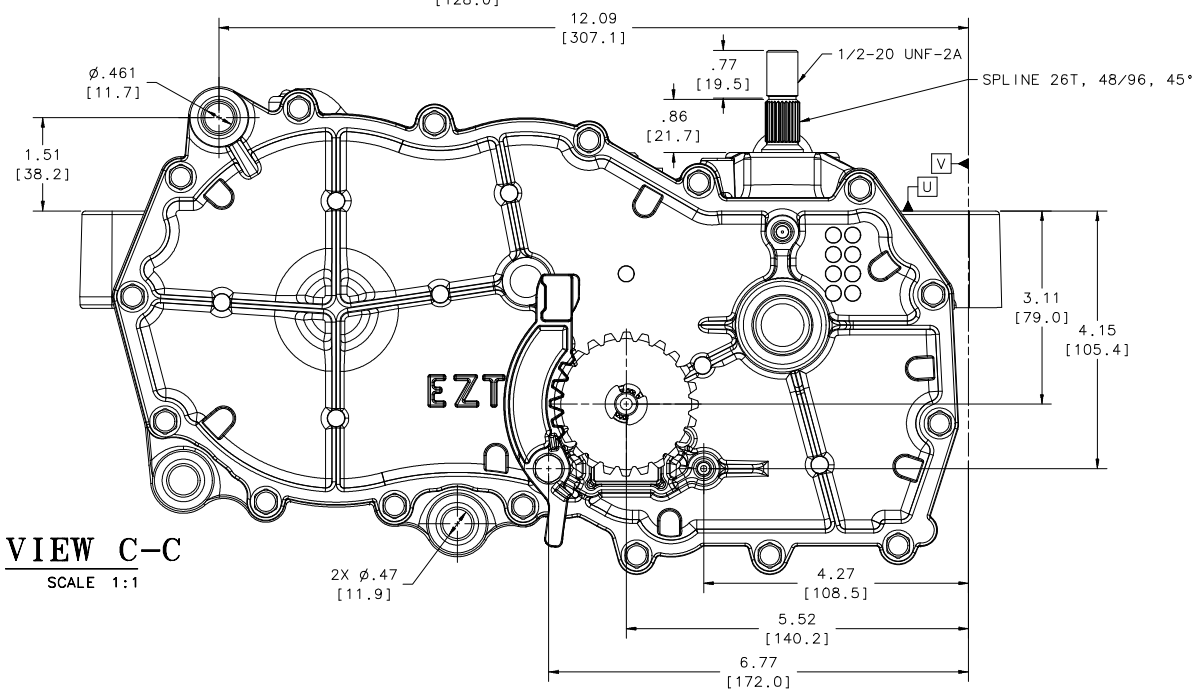
**VIEW A-A**  
SCALE 1:1



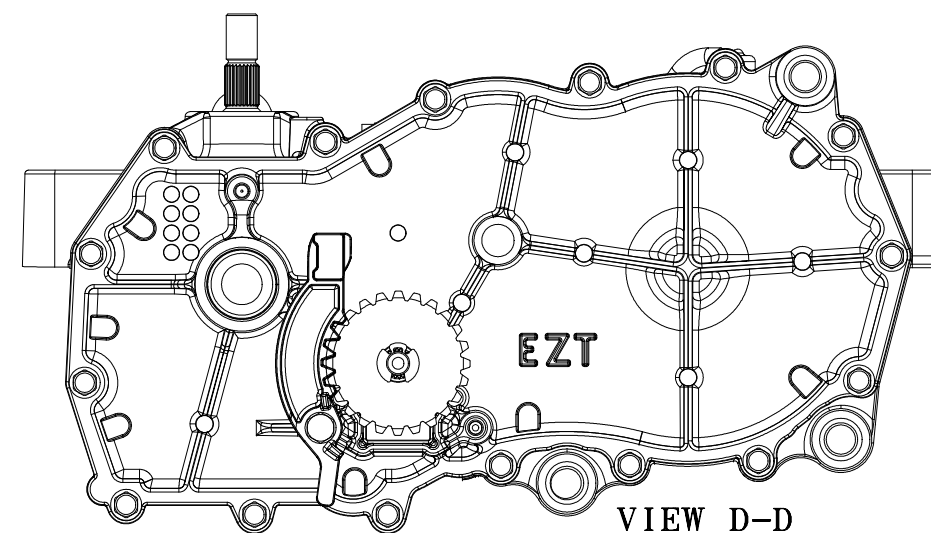
**VIEW B-B**  
SCALE 1:1



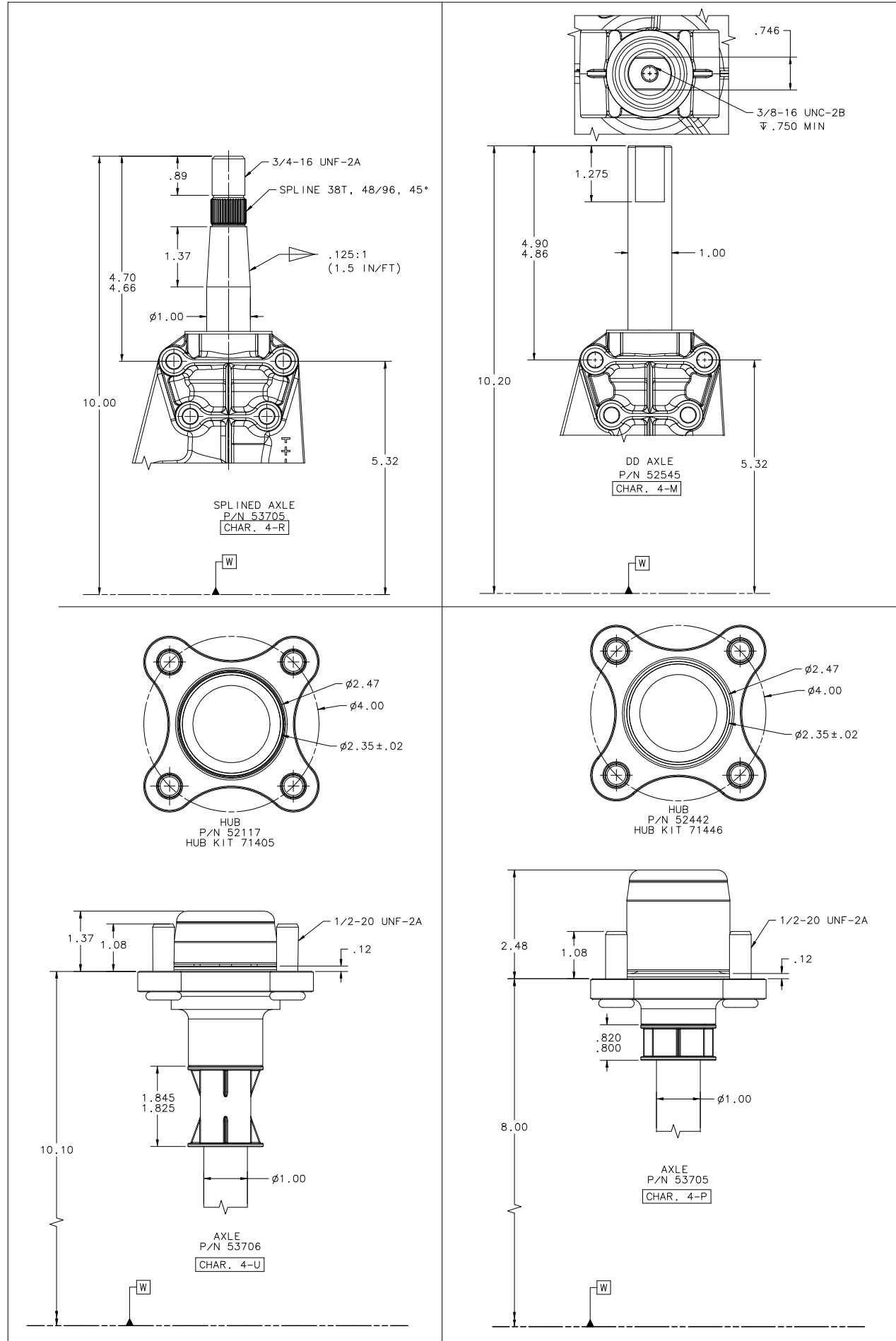
**VIEW C-C**  
SCALE 1:1



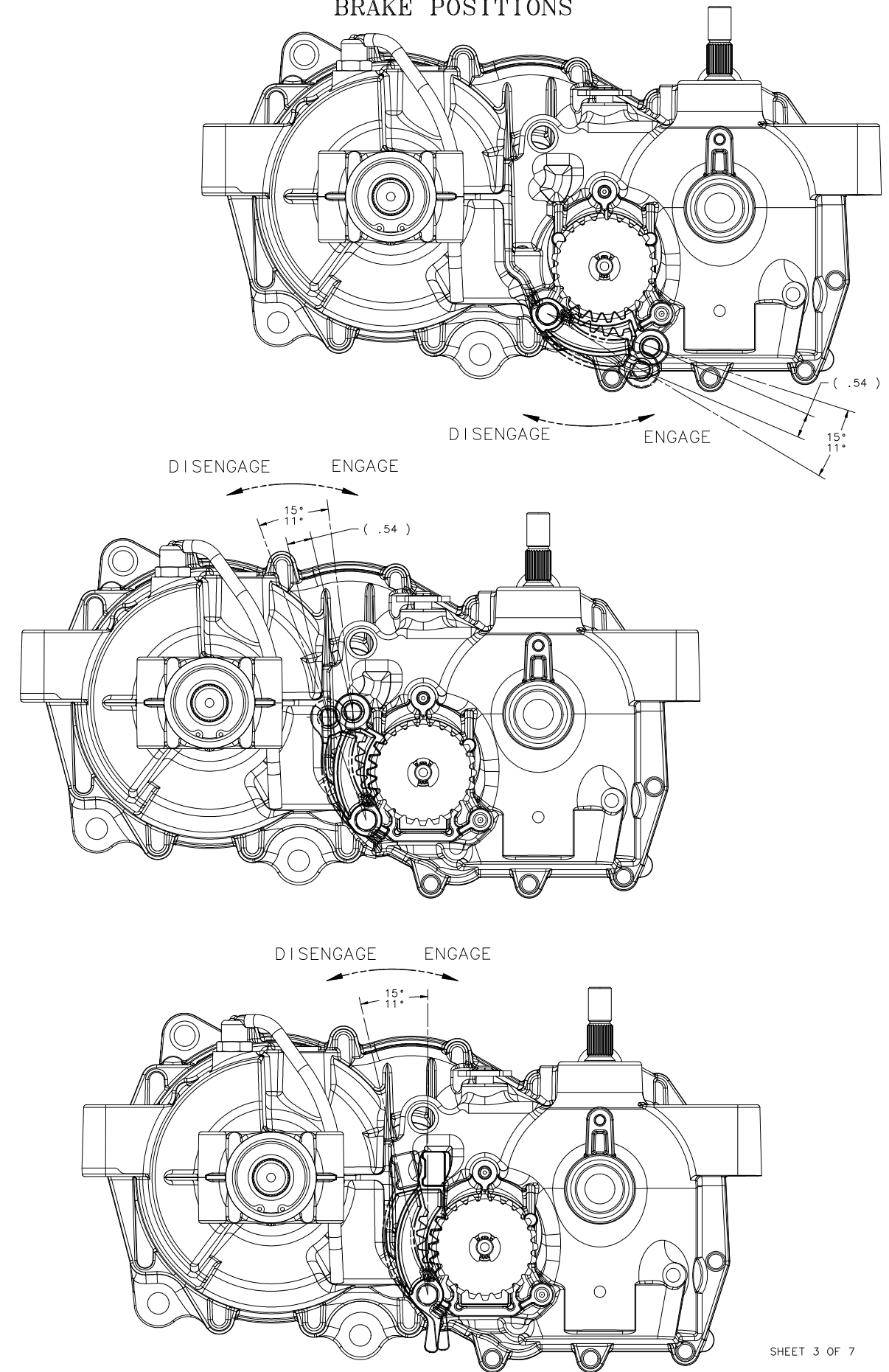
**VIEW D-D**  
SCALE 1:1



### AXLE & HUB OPTIONS

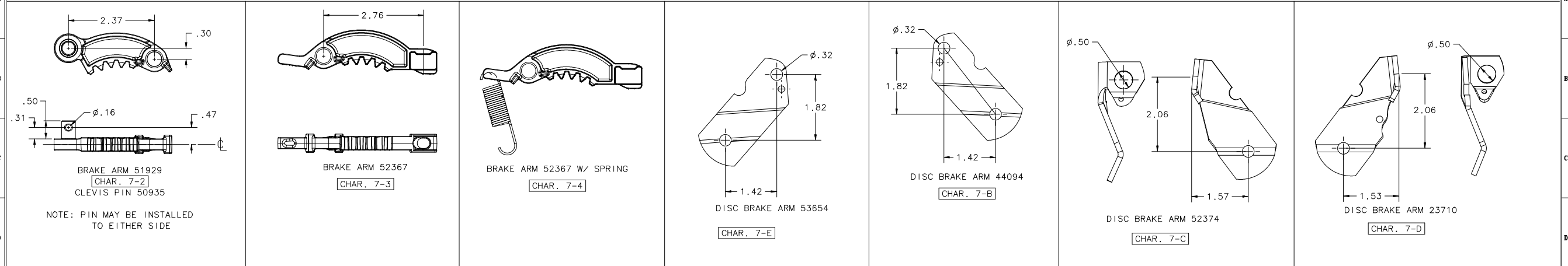


### BRAKE POSITIONS



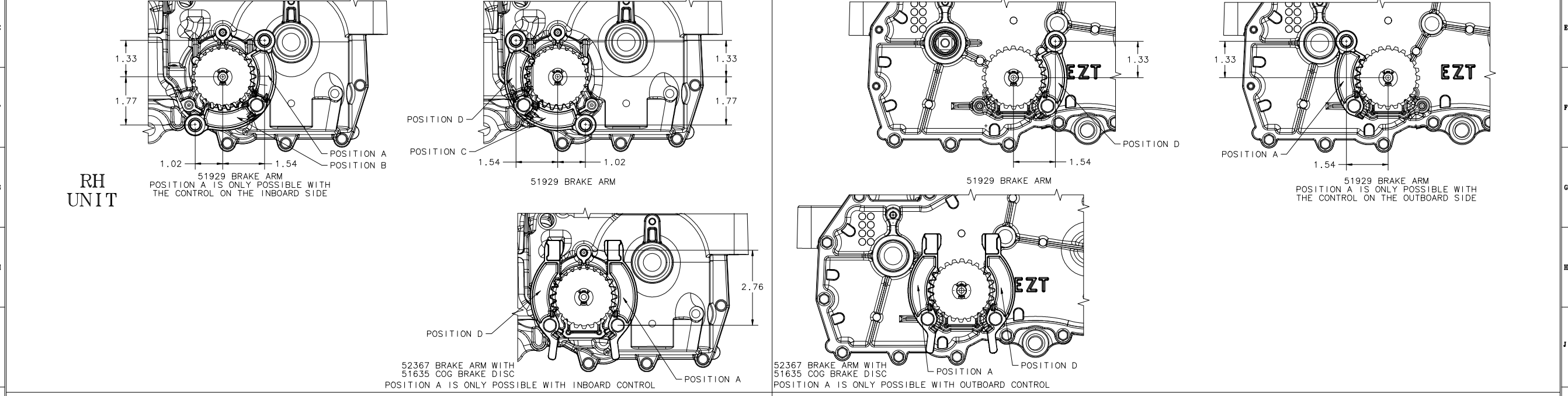
SHEET 3 OF 7

**BRAKE OPTIONS**



**OUTBOARD**

**INBOARD**

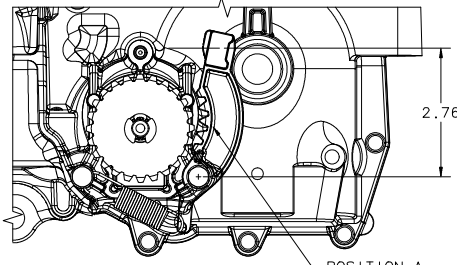


# BRAKE OPTIONS

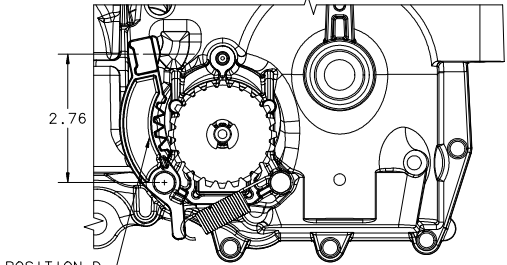
## OUTBOARD

## INBOARD

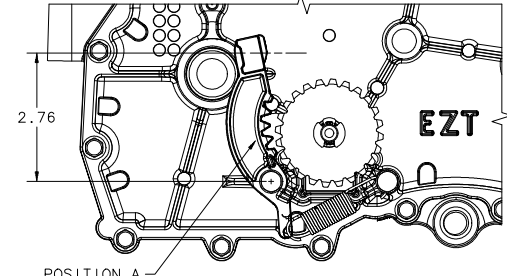
RH UNIT



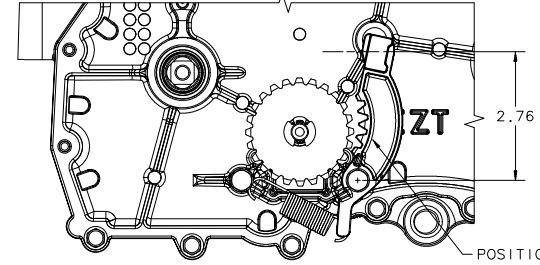
52367 BRAKE ARM WITH 52368 BIAS SPRING  
THIS CONFIGURATION IS ONLY POSSIBLE WITH THE CONTROL ON THE INBOARD SIDE



52367 BRAKE ARM WITH 52368 BIAS SPRING

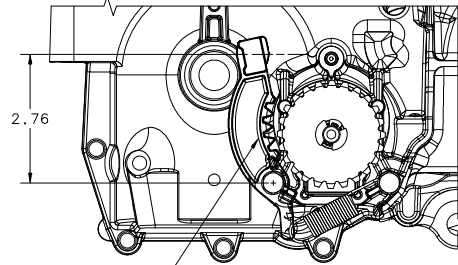


52367 BRAKE ARM WITH 52368 BIAS SPRING  
THIS CONFIGURATION IS ONLY POSSIBLE WITH THE CONTROL ON THE OUTBOARD SIDE

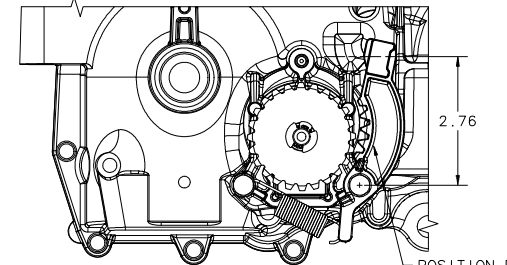


52367 BRAKE ARM WITH 52368 BIAS SPRING

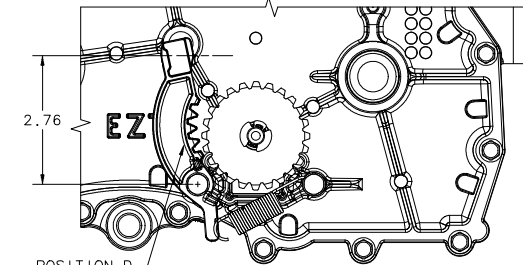
LH UNIT



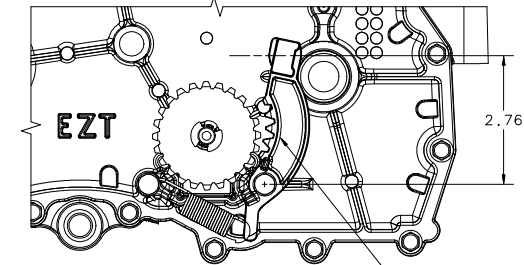
52367 BRAKE ARM WITH 52368 BIAS SPRING  
THIS CONFIGURATION IS ONLY POSSIBLE WITH THE CONTROL ON THE INBOARD SIDE



52367 BRAKE ARM WITH 52368 BIAS SPRING

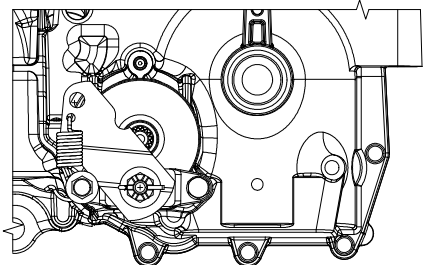


52367 BRAKE ARM WITH 52368 BIAS SPRING

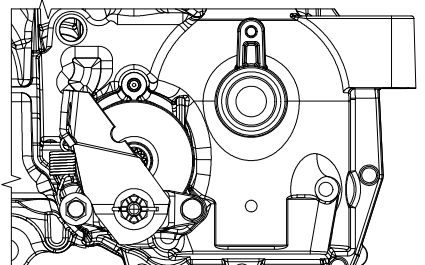


52367 BRAKE ARM WITH 52368 BIAS SPRING  
THIS CONFIGURATION IS ONLY POSSIBLE WITH THE CONTROL ON THE OUTBOARD SIDE

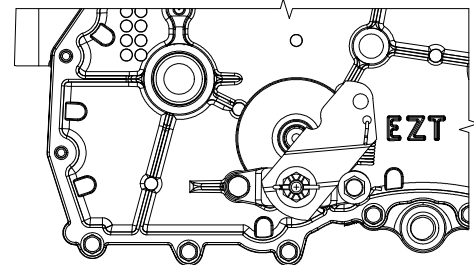
RH UNIT



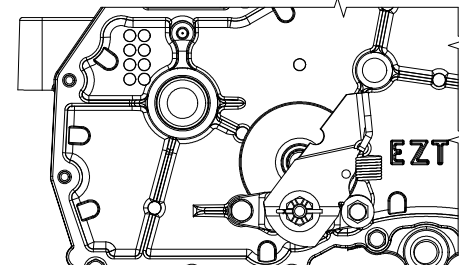
44094 BRAKE ARM WITH 52473 DISC BRAKE  
DISC GAP .020-.040



52374 BRAKE ARM WITH 52473 DISC BRAKE  
DISC GAP .020-.040

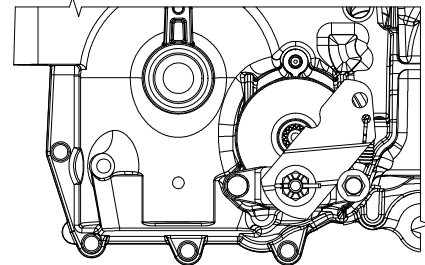


53654 BRAKE ARM WITH 52473 DISC BRAKE  
DISC GAP .020-.040  
THIS CONFIGURATION IS ONLY POSSIBLE WITH THE CONTROL ON THE OUTBOARD SIDE

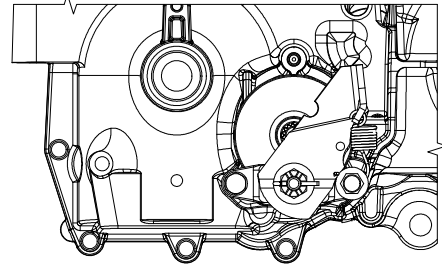


23710 BRAKE ARM WITH 52473 DISC BRAKE  
DISC GAP .020-.040

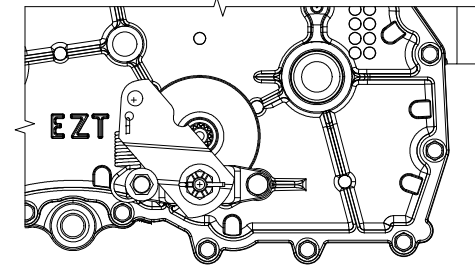
LH UNIT



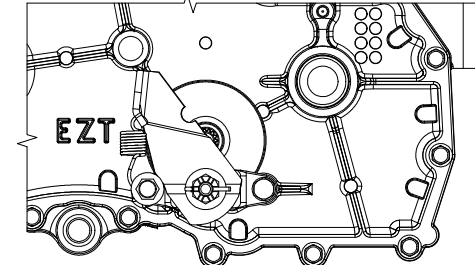
53654 BRAKE ARM WITH 52473 DISC BRAKE  
DISC GAP .020-.040  
THIS CONFIGURATION IS ONLY POSSIBLE WITH THE CONTROL ON THE INBOARD SIDE



23710 BRAKE ARM WITH 52473 DISC BRAKE  
DISC GAP .020-.040

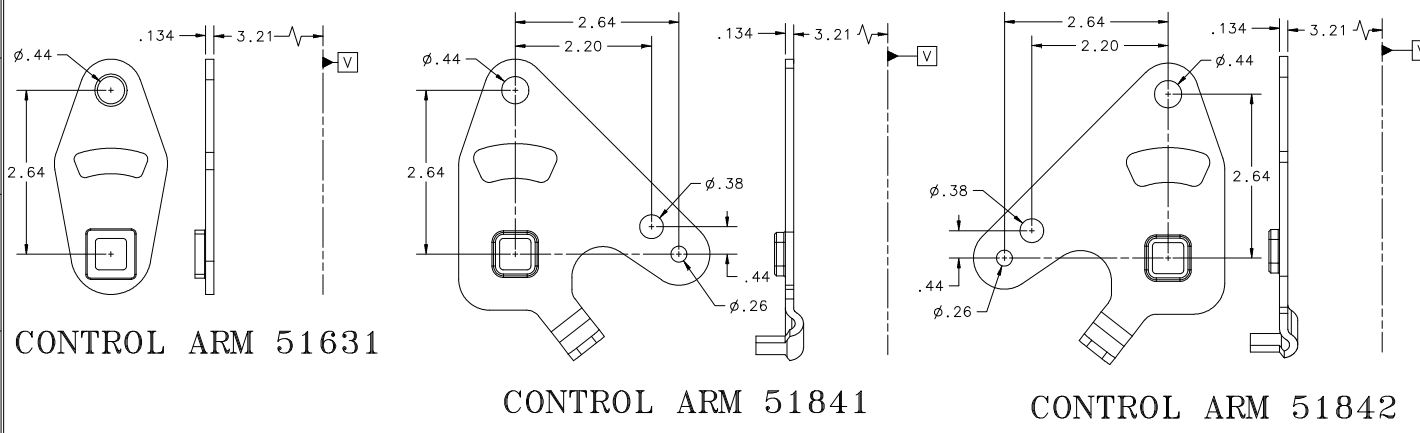
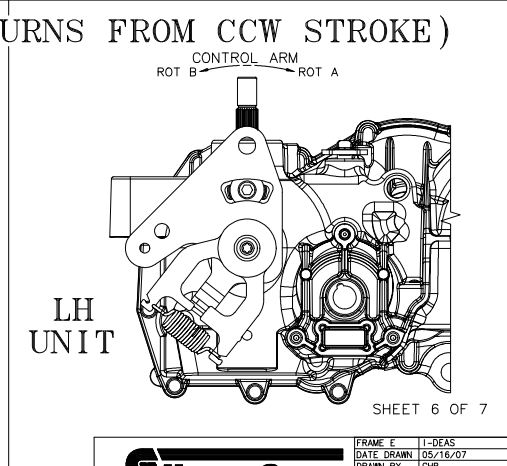
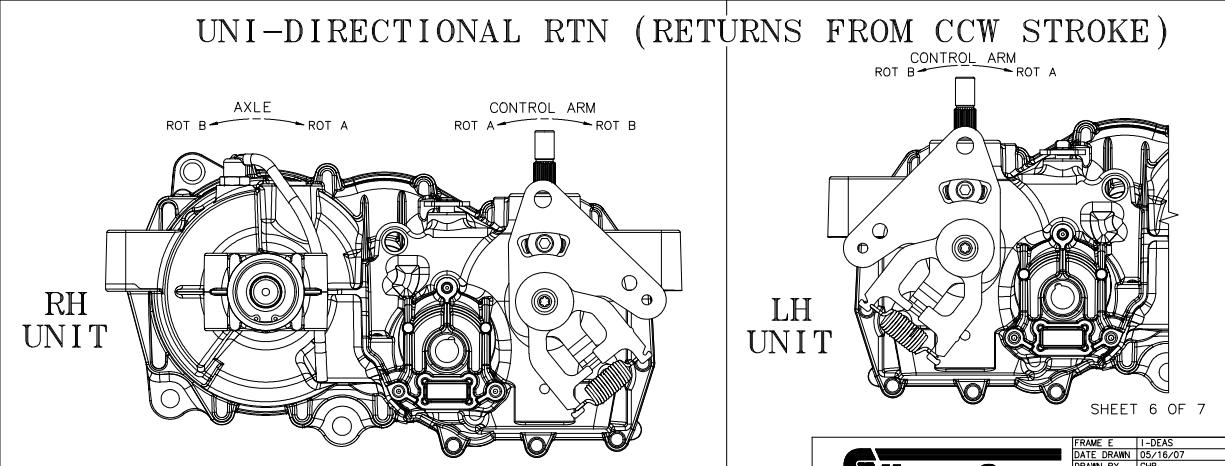
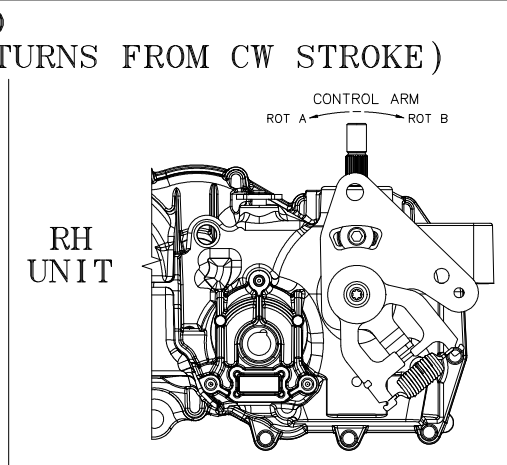
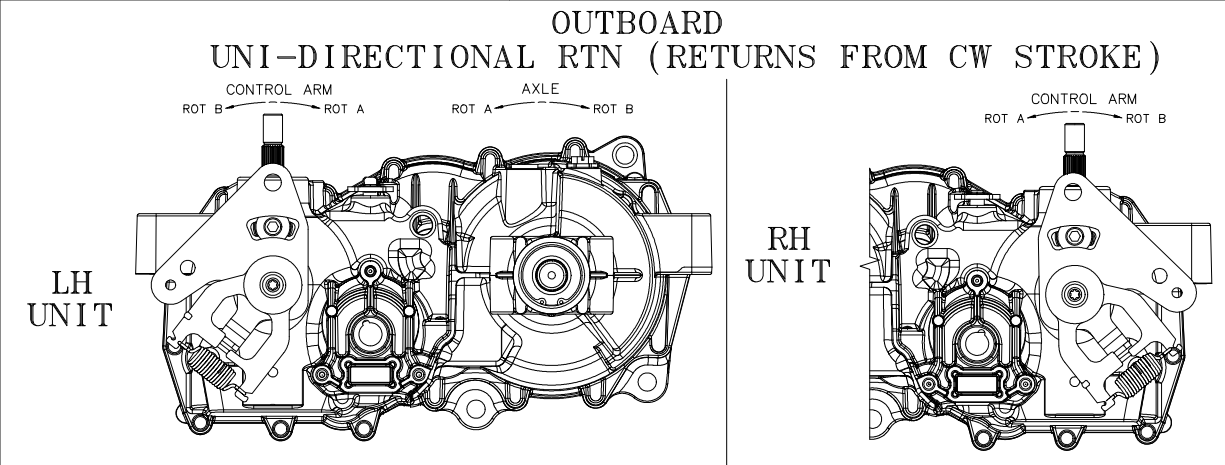
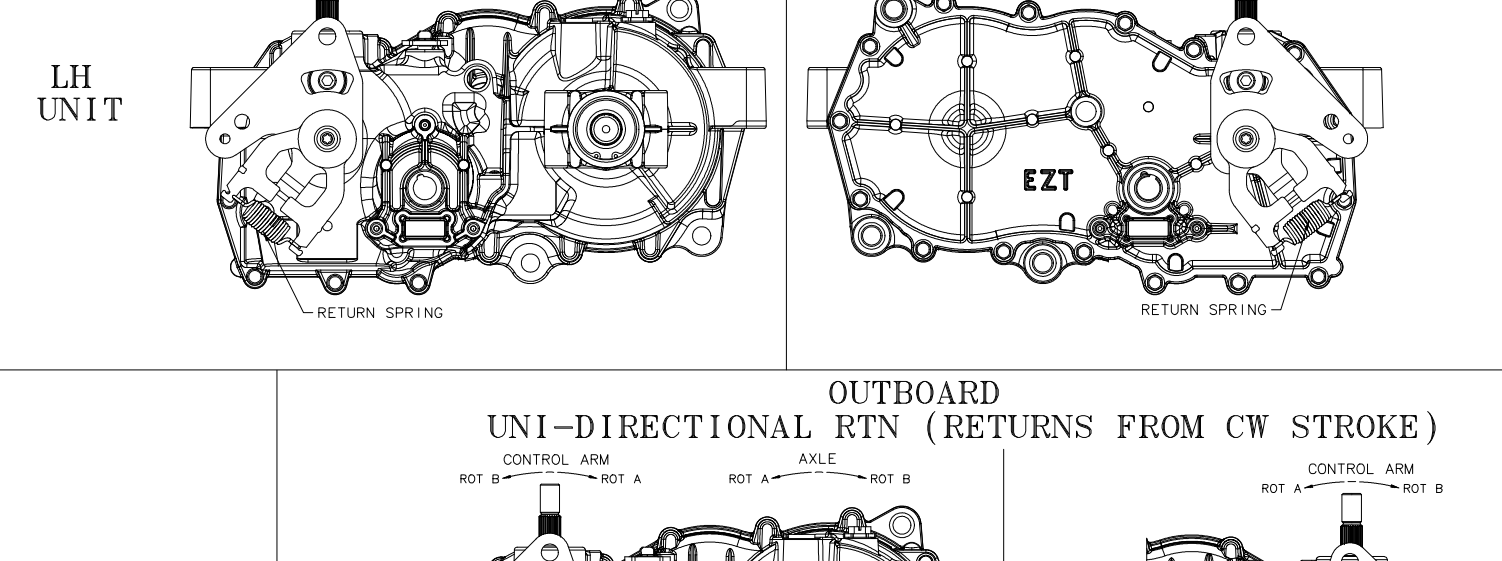
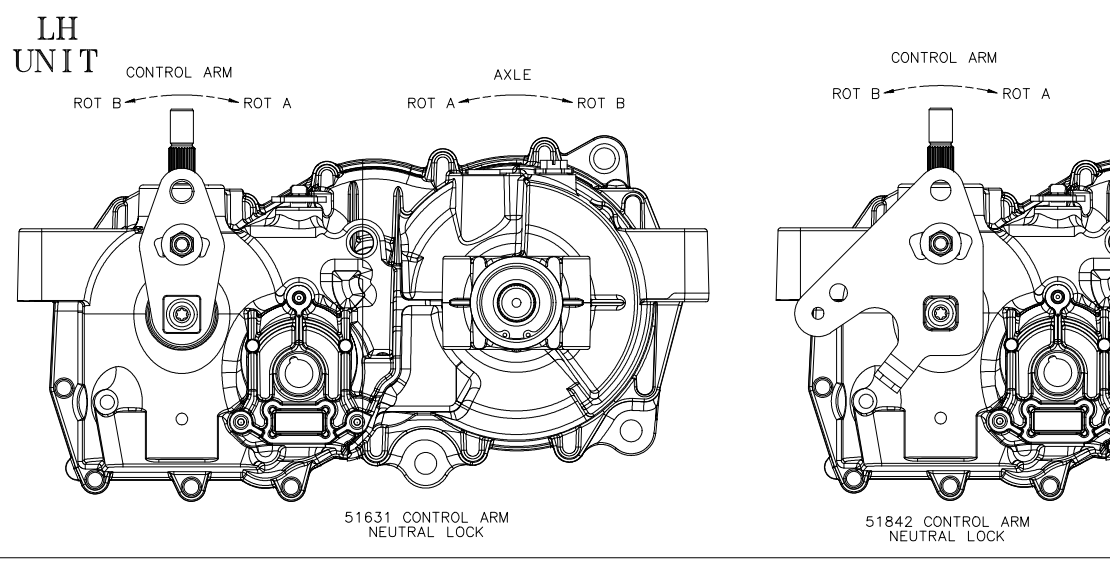
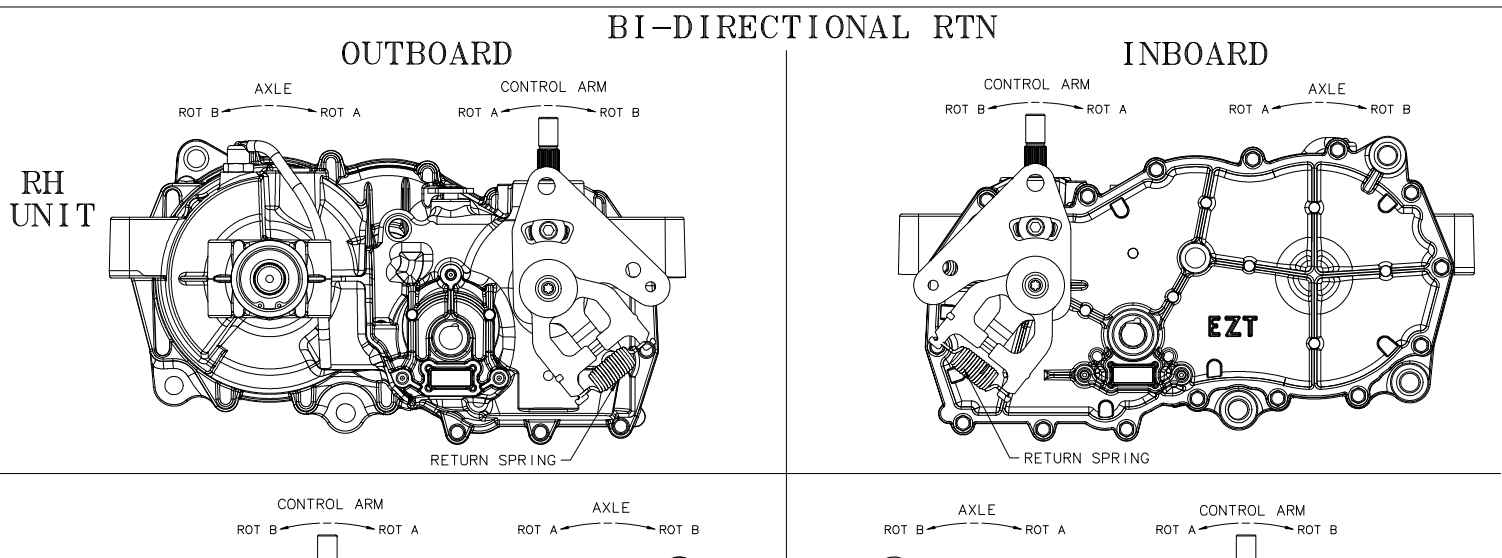
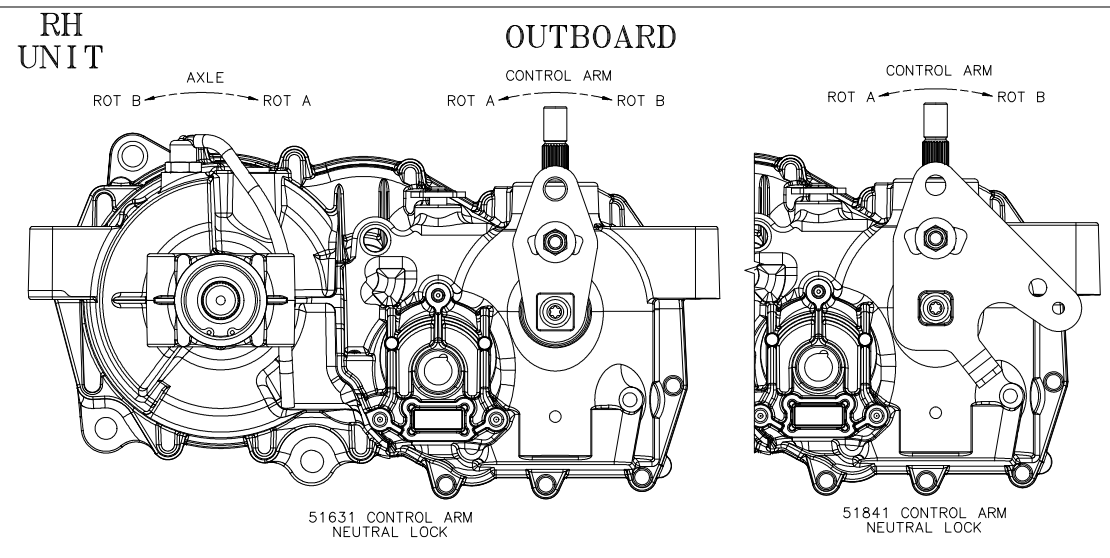


44094 BRAKE ARM WITH 52473 DISC BRAKE  
DISC GAP .020-.040



52374 BRAKE ARM WITH 52473 DISC BRAKE  
DISC GAP .020-.040

# CONTROL OPTIONS





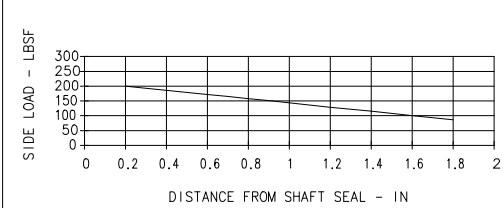
### RETURN TO NEUTRAL OPTIONS

RTN TYPE	CONTROL ARM DIRECTION		AXLE ROTATION IN FORWARD CW INPUT	DESIRED RTN RESTORING MOMENT	RTN TYPE
	STROKE	RESTORING MOMENT			
BIDIRECTIONAL	A	B	A	FROM FORWARD & REVERSE	BIDIRECTIONAL
ROTATION A	B	A		FROM REVERSE ONLY	ROTATION B
ROTATION B	A	B	B	FROM FORWARD & REVERSE	BIDIRECTIONAL
	B	A			

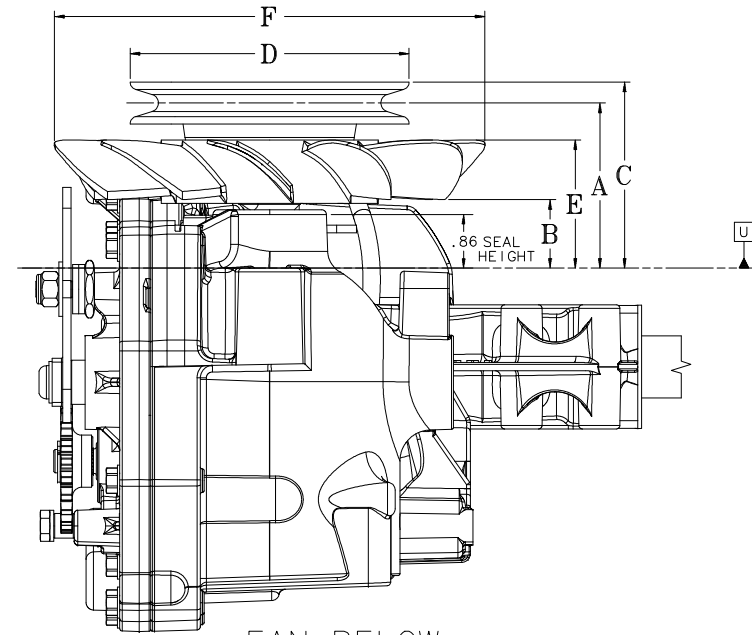
### RETURN SPRING OPTIONS

SPRING TYPE	RESTORING MOMENT (LB-IN)
LIGHT (STD)	29
MEDIUM	37
HEAVY	46

### INPUT SHAFT RADIAL LOAD CHART



### FAN/PULLEY OPTIONS

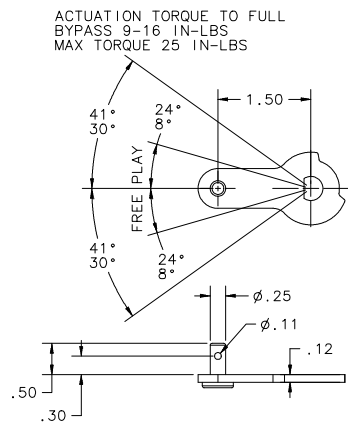


FAN BELOW

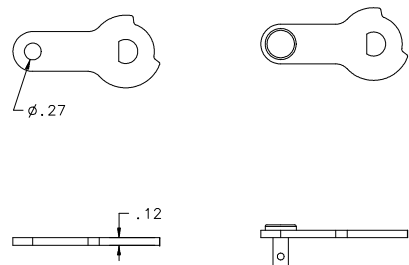
### FAN AND PULLEY OPTIONS

FAN & PULLEY KIT #	CHAR.	A	B	C	D	E	F	INPUT ROTATION
72134	12-P	2.65	1.16	2.98	ø4.50	2.12	ø7.00	CW
72136	12-T	2.65	1.51	2.98	ø4.00	2.27	ø6.00	CW
72137	12-W	2.65	1.51	2.98	ø4.50	2.27	ø6.00	CW
72135	12-4	2.65	1.51	2.98	ø5.00	2.27	ø7.00	CW

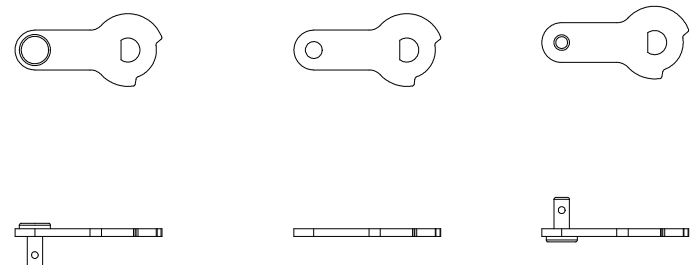
### BYPASS ARM OPTIONS



#### RH UNIT

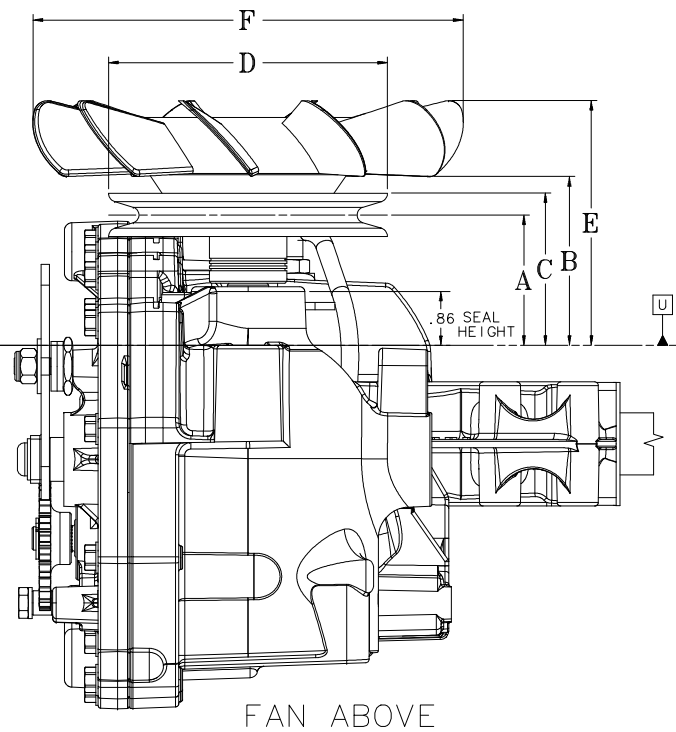
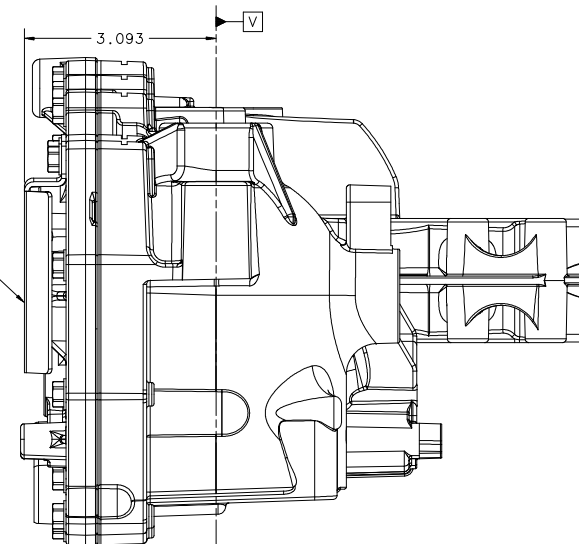


#### LH UNIT



BYPASS ARM 51910    BYPASS ARM 51629    BYPASS ARM 52370

CHAR. 14-A  
BELT DEFLECTOR  
P/N 52112



FAN ABOVE

### FAN AND PULLEY OPTIONS

FAN & PULLEY KIT #	A	B	C	D	E	F	INPUT ROTATION
72126	1.73	2.26	2.07	ø4.50	3.49	ø7.00	CW
72128	1.73	2.26	2.07	ø4.50	3.12	ø6.00	CW
72124	2.65	3.18	2.98	ø4.50	4.38	ø7.00	CW
72125	2.15	2.68	2.48	ø4.50	3.88	ø7.00	CW