



Discrete direct acting 2 port solenoid valve for oil  
(special purpose valve)

# FLB Series

- NC (normally closed) type
- Port size: Rc1/8 to Rc1/2

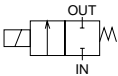


Refer to Ending 17 for more details.



## JIS symbol

- NC (normally closed) type



## Common specifications

Descriptions	Standard specifications	Optional specifications
Working fluid	Oil (50mm <sup>2</sup> /S or less)	
Working pressure differential range MPa	0 to 1.5	
Withstanding pressure (water pressure) MPa	5.0 (3.0 for orifice $\phi$ 7, $\phi$ 10 mm)	
Fluid temperature	AC: -10 to 60 DC: -10 to 40 (no freezing)	-10 to 90 (no freezing)
Ambient temperature	AC: -20 to 60 DC: -20 to 40	-20 to 60
Heat proof class	B	H or equivalent (AC only)
Atmosphere	No corrosive gas and flammable	
Valve structure	Direct acting poppet structure	
Valve seat leakage cm <sup>3</sup> /min	0 (oil)	
Installation attitude	Free	
Protective structure	IP65 or equivalent (Note 1)	

Note 1: The T-type terminal box type is IP61 or equivalent.

## Individual specifications

Descriptions Model no.	Port size	Orifice (mm)	Cv flow factor	Max. working pressure differential MPa		Max. working pressure MPa	Rated voltage	Rated electric power (VA)				Power consumption (W)		Weight (kg)			
				AC	DC			At holding		At starting		AC	DC				
NC (normally closed) type																	
FLB21-6-Z	Rc1/8	1	0.036	1.5	1.0	1.5	100 VAC 50/60Hz	6.5	5	9.5	8.5	3.6/2.4		4	0.16		
		2	0.15	0.6	0.25												
FLB31-6-8	Rc1/8	3	0.31	0.8	0.5		1.5	110 VAC 60Hz	15.5	10	24	20	6.5/4.0		6	0.30	
		4	0.50	0.4	0.15												
FLB41-8-10	Rc1/4	5	0.65	0.25	0.05			0.3	200 VAC 50/60Hz	22	15	45	40	8.5/6.5		8	0.49
		7	1.10	0.2	0.09												
FLB41-10-13	Rc3/8, Rc1/2	10	1.88	0.1	0.04	0.3			220 VAC 60Hz							*3	0.60
FLB51-8-10	Rc1/4	4	0.54	1.1	1.3					1.5	24 VDC 12 VDC	32	22	65	55	12.5/10.5	
		5	0.80	0.7	0.7												
FLB51-10-13	Rc3/8, Rc1/2	7	1.10	0.3	0.25		0.3										
		10	1.88	0.12	0.1												

\*1: Use the allowable voltage fluctuation range within  $\pm 10\%$  of the rated voltage.

\*2: The leakage current must be less than values given below.

\*3: 8.6 (W) for 12 VDC.

Leakage current	Voltage	100 VAC	200 VAC	24 VDC	12 VDC
	Model no.				
	FLB2	3mA or less	1.5mA or less	1mA or less	2mA or less
	FLB3/4/5	6mA or less	3mA or less		

## How to order



No. of port  
(2 port valve)

Working fluid  
(Oil)

**A** Size variation

**B** Actuation

**C** Port size

**D** Orifice

\*1  
\*2

**E** Body, sealant combination

**F** Coil option

\*3  
\*4  
\*5

**G** Other options

**H** Voltage

\*6

Model no.			
FLB 21	FLB 31	FLB 41	FLB 51

Symbol	Descriptions	FLB 21	FLB 31	FLB 41	FLB 51
<b>A Size variation</b>					
2	22 mm	●			
3	28 mm		●		
4	34 mm			●	
5	40 mm				●
<b>B Actuation</b>					
1	NC (normally closed) type	●	●	●	●
<b>C Port size</b>					
6	Rc 1 / 8	●	●		
8	Rc 1 / 4		●	●	●
10	Rc 3 / 8			●	●
15	Rc 1 / 2			●	●
<b>D Orifice</b>					
Z	φ 1	●			
2	φ 2	●			
3	φ 3		●		
5	φ 4			●	●
6	φ 5		●	●	●
7	φ 7			●	●
8	φ 10			●	●
<b>E Body, sealant combination</b>					
	Body	Sealant			
B	Brass	FKM	●	●	●
<b>F Coil option</b>					
2C	Standard	Grommet lead wire	●	●	●
2CS		Grommet lead wire with surge suppressor	●	●	●
2G		DIN terminal box (Pg11)	●	●	●
2HS		DIN terminal box with light and surge suppressor (Pg11)	●	●	●
2CG	Option	Conduit (CTC19)		●	●
2CH		Conduit (G1/2)		●	●
3T		T type terminal box (G1/2)		●	●
3RS		T type terminal box with light and surge suppressor (G1/2)		●	●
4A		Grommet lead wire (heat proof class H or equivalent)	●	●	●
<b>G Other options</b>					
Blank	Standard	None	●	●	●
B	Option	Mounting plate	●	●	●
<b>H Voltage</b>					
1	100 VAC 50/60Hz, 110 VAC 60Hz	●	●	●	●
2	200 VAC 50/60Hz, 220 VAC 60Hz	●	●	●	●
3	24 VDC	●	●	●	●
4	12 VDC	●	●	●	●

For voltages other than the above, write in the voltage directly.  
Select from the combination of ● marks in the above table.

## <Example of model number>

**FLB21-6-Z-B2CB-1**

Model: FLB

- A** Size variation: 22 mm
- B** Actuation : NC (normally closed) type
- C** Port size : Rc 1/8
- D** Orifice : φ 1
- E** Body, sealant combination : Body - brass, sealant - FKM
- F** Coil option : Grommet lead wire
- G** Others : Mounting plate
- H** Rated voltage: 100 VAC 50/60Hz, 110 VAC 60Hz

## ⚠ Note on model no. selection

- \*1: For the FHB41 and FHB51 orifice φ 4 mm (item (D) 5), φ 5 mm (item (D) 6), and φ 7 mm (item (D) 7), only the Rc1/4 (item (C) 8) or Rc3/8 (item (C) 10) bore sizes are available.
- \*2: For the orifice φ 10 mm (item (D) 8), the connection port is Rc3/8 (item (C) 10) and Rc1/2 (item (C) 15). The body is cast bronze.
- \*3: For FLB21 item (F) 2G and 2HS, the compact terminal box (Pg9) is used.
- \*4: For item (F) 2CS, the surge suppressor is built into the coil, and for 2HS and 3RS, it is built into the terminal box.
- \*5: High-temperature specifications (fluid temperature of 90°C) are available only for coil option 4A. Item (F) 4A grommet lead wire (heat-resistant Class H or equivalent) is available only for AC.
- \*6: Consult with CKD for other voltages that cannot be manufactured.

HNB/G

USB/G

FAB/G

FGB/G

FVB

FWB/G

FHB

FLB

AB

AG

AP/AD

APK/ADK

For dry air

Explosion proof

HVB/HVL

SAB/SVB

NP/NAP/NVP

CHB/G

MXB/G

Other G.P. systems

PD/FAD/PJ

CVE/CVSE

CPE/CPD

Medical analysis

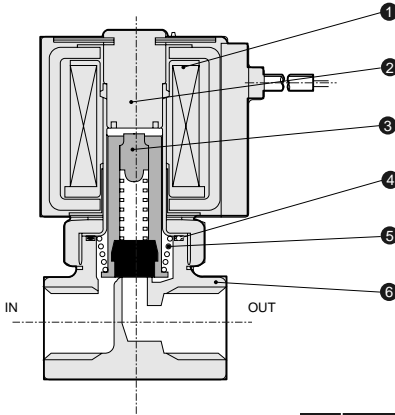
Custom order

Special purpose valve for oil

Direct acting 2 port solenoid valve

## Internal structure and parts list

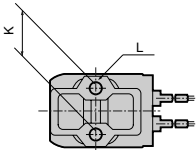
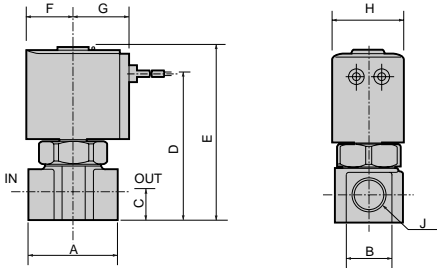
● FLB\*1 series



No.	Parts name	Materials	
1	Coil assembly	-	-
2	Core assembly	SUS, Cu	Stainless steel, copper
3	Plunger assembly	SUS, C3604, FKM	Stainless steel, brass, fluoro rubber
4	O ring	FKM	Fluoro rubber
5	Spring	SUS	Stainless steel
6	Body	C3771 or CAC407	Brass or bronze

## Dimensions (Page 116)

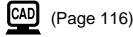
● Grommet lead wire type  
FLB\*1-\*\*-B2C



Lead wire length 300mm

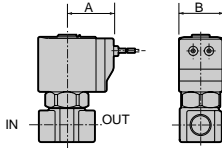
Model no.	A	B	C	D	E	F	G	H	J	K	L
FLB21	32	14	8	45.5	56	15.5	19.5	22	Rc1/8	15	M4 depth 6
FLB31	36	18	11	57.5	68.5	18.5	22.5	28	Rc1/8, Rc1/4	18	M5 depth 6
FLB41	40	21	12	67	81	22.5	26	34	Rc1/4, Rc3/8	18	M5 depth 8
FLB41-10/15-8 (Orifice $\phi$ 10)	50	29	15	76	90				Rc3/8, Rc1/2		
FLB51	40	21	12	73.5	89	26	29.5	40	Rc1/4, Rc3/8	18	M5 depth 8
FLB51-10/15-8 (Orifice $\phi$ 10)	50	29	15	82.5	98				Rc3/8, Rc1/2		

## Optional dimensions



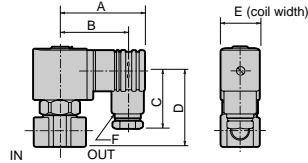
(For common dimensions, refer to the grommet lead wire dimensions on the left page.)

- Grommet lead wire with surge suppressor  
FLB\*1-\*-\*B2CS



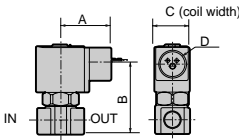
Model no.	A	B
<b>FLB21</b>	26.5	22
<b>FLB31</b>	29.5	28
<b>FLB41</b>	34	34
<b>FLB51</b>	37.5	40

- DIN terminal box (with light and surge suppressor)  
FLB\*1-\*-\*B2G  
2HS



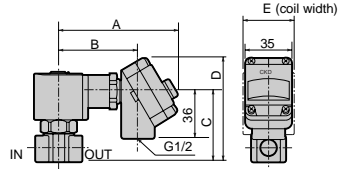
Model no.	A	B	C	D	E	F
<b>FLB21</b>	53	44	38	39	22	Pg 9
<b>FLB31</b>	58.5	47	39	51	28	Pg11
<b>FLB41</b>	62	50.5	39	61	34	Pg11
FLB41-10-15-8 (Orifice φ10)				70		
<b>FLB51</b>	65.5	54	39	69.5	40	Pg11
FLB51-10-15-8 (Orifice φ10)				78.5		

- Conduit (CTC19, G1/2)  
FLB\*1-\*-\*B2CG  
2CH



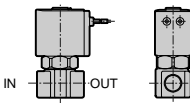
Model no.	A	B	C	D	E
<b>FLB31</b>	92	60.5	53	79	28
<b>FLB41</b>	96.5	64.5	62.5	88.5	34
FLB41-10-15-8 (Orifice φ10)			71.5	97.5	
<b>FLB51</b>	99.5	68	71	97	40
FLB51-10-15-8 (Orifice φ10)			80	106	

- T type terminal box (with light and surge suppressor) (G1/2)  
FLB\*1-\*-\*B3T  
3RS



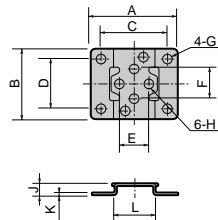
Model no.	A	B	C	D
<b>FLB31</b>	39	52.5	28	CTC19 G1/2
<b>FLB41</b>	43	62.5	34	CTC19 G1/2
FLB41-10-15-8 (Orifice φ10)		71.5		
<b>FLB51</b>	46.5	71	40	CTC19 G1/2
FLB51-10-15-8 (Orifice φ10)		80		

- Grommet lead wire (heat proof class H or equivalent)  
FLB\*1-\*-\*B4A



Dimensions are the same as for the grommet lead wire (2C).

- Mounting plate  
FLB\*1-\*-\*B\*\*B



Model no.	A	B	C	D	E	F	G	H	J	K	L
<b>FLB21</b>	40	34	30	25	15	15	φ5	φ4.5	6	1.2	20
<b>FLB31</b>	52	42	40	30	18	18	φ6	φ5.5	7	1.6	25
<b>FLB41-51</b>	56	48	44	36	18	18	φ6	φ5.5	7	1.6	30

HNB/G

USB/G

FAB/G

FGB/G

FVB

FWB/G

FHB

**FLB**

AB

AG

AP/AD

APK/  
ADK

For  
dry air

Explosion  
proof

HVB/  
HVL

SAB/  
SVB

NP/NAP/  
NVP

CHB/G

MXB/G

Other G.P.  
systems

PD/FAD/  
PJ

CVE/  
CVSE

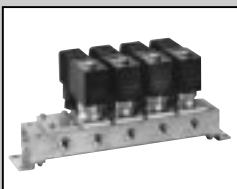
CPE/  
CPD

Medical  
analysis

Custom  
order

Special purpose valve for oil

Direct acting 2 port solenoid valve



Direct acting 2 port solenoid valve for oil, manifold (special purpose valve)

# GFLB Series

- NC (normally closed) type
- Port size: Rc1/8, Rc1/4, Rc3/8

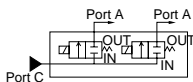


Refer to Ending 17 for more details.



## JIS symbol

- NC (normally closed) / central lubrication type (Port C pressurized)



## Common specifications

Descriptions	Standard specifications	Optional specifications
Working fluid	Oil (50mm <sup>2</sup> /s) or less	
Working pressure differential range MPa	0 to 1.5	
Withstanding pressure (water pressure) MPa	5.0 (3.0 for orifice φ 7, φ 10 mm)	
Fluid temperature °C	AC: -10 to 60 DC: -10 to 40 (no freezing)	-10 to 90 (no freezing)
Ambient temperature °C	AC: -20 to 40 DC: -20 to 40	-20 to 60
Heat proof class	B	H or equivalent (AC only)
Atmosphere	No corrosive gas and flammable	
Valve structure cm <sup>3</sup> /min	Direct acting poppet structure	
Valve seat leakage	0 (oil)	
Installation attitude	Free	
Protective structure	IP65 or equivalent (Note 1)	

Note 1: The T-type terminal box type is IP61 or equivalent.

## Individual specifications

Descriptions Model no.	Port size		Orifice (mm)	Cv flow factor	Max. working pressure differential MPa		Max. working pressure MPa	Rated voltage	Rated electric power (VA)				Power consumption (W)						
	Port A/NO (Individual port)	Port C (Common port)			AC	DC			At holding	At starting	AC 50/60Hz	DC							
													50Hz	60Hz	50Hz	60Hz			
NC (normally closed) type																			
<b>GFLB21-Z</b>	Rc1/8	Rc1/4	1	0.036	1.5	1.0	1.5	100 VAC 50/60Hz	6.5	5	9.5	8.5	3.6/2.4	4					
			2	0.12	0.6	0.25													
<b>GFLB31-3</b>	Rc1/4	Rc3/8	3	0.23	0.8	0.5		200 VAC 50/60Hz	15.5	10	24	20	6.5/4.0	6					
			4	0.36	0.4	0.15													
			5	0.45	0.25	0.05													
<b>GFLB41-5</b>	Rc1/4	Rc3/8	4	0.42	0.8	0.45		220 VAC 60Hz	22	15	45	40	8.5/6.5	8					
			5	0.55	0.5	0.2													
			7	0.73	0.2	0.09			0.3										
<b>GFLB51-5</b>	Rc1/4	Rc3/8	4	0.42	1.1	1.3		24 VDC 12 VDC	32	22	65	55	12.5/10.5	11.5					
			5	0.55	0.7	0.7													
			7	0.73	0.3	0.25									0.3				

\*1: Use the allowable voltage fluctuation range within ± 10% of the rated voltage.

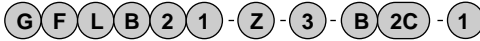
\*2: The leakage current must be less than values given below.

\*3: 8.6 (W) for 12 VDC.

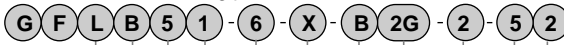
Leakage current	Voltage	100 VAC	200 VAC	24 VDC	12 VDC
	Model no.				
	<b>GFLB2</b>	3mA or less	1.5mA or less	1mA or less	2mA or less
	<b>GFLB3/4/5</b>	6mA or less	3mA or less		

## How to order

### ● Manifold



### ● Manifold with masking plate



No. of port  
(2 port valve)

Working fluid  
(Oil)

A Size variation

B Circuit structure

C Orifice

D Station no.

\*1  
\*2

E Body, sealant combination

F Coil option

\*3  
\*4  
\*5

G Voltage

\*6

H Solenoid valve quantity

\*7

I Masking plate quantity

## <Example of model number>

**GFLB21-Z-3-B2C-1**

Model: GFLB

- A Size variation : 22 mm
- B Circuit structure: NC (normally closed) / central lubrication type
- C Orifice :  $\phi 1$
- D Station no. : 3 stations
- E Body, sealant combination : Body - brass, sealant - FKM
- F Coil option : Grommet lead wire
- G Voltage : 100 VAC 50/60Hz, 110 VAC 60Hz
- H I : No masking plate

## ⚠ Note on model no. selection

- \*1: For the number of manifold stations, select a number of stations from 2 to 10.
- \*2: For the type with masking plate, designate the item (D) as X, then designate the number of (H) solenoid valves and (I) masking plates.
- \*3: The item (F) 4A grommet lead wire (heat-resistant Class H or equivalent) is available only for AC.
- \*4: For GFLB21 item (F) 2G and 2HS, the compact terminal box (Pg9) is used.
- \*5: For item (F) 2CS, the surge suppressor is built into the coil, and for 2HS and 3RS, it is built into the terminal box.
- \*6: Consult with CKD for other voltages that cannot be manufactured.
- \*7: Solenoid valves are arranged from the right side facing the sub-plate A (independent) port.
- \*8: Orders for only the masking plate and sub-plate are also available. Contact CKD for details.

Symbol	Descriptions	Model no.			
		GFLB21	GFLB31	GFLB41	GFLB51
<b>A Size variation</b>					
2	22 mm	●			
3	28 mm		●		
4	34 mm			●	
5	40 mm				●
<b>B Circuit structure</b>					
1	NC (normally closed) / central lubrication type	●	●	●	●
<b>C Orifice</b>					
Z	$\phi 1$		●		
2	$\phi 2$		●		
3	$\phi 3$			●	
5	$\phi 4$			●	●
6	$\phi 5$			●	●
7	$\phi 7$			●	●
<b>D Station no.</b>					
2	2 stations				
to	to	●	●	●	●
10	10 stations				
O	Actuator only	●	●	●	●
X	With masking plate	●	●	●	●
<b>E Body, sealant combination</b>					
	Body	Sealant			
B	Brass	FKM	●	●	●
<b>F Coil option</b>					
2C	Standard	Grommet lead wire	●	●	●
2CS	Option	Grommet lead wire with surge suppressor	●	●	●
2G		DIN terminal box (Pg11)	●	●	●
2HS		DIN terminal box with light and surge suppressor (Pg11)	●	●	●
2CG		Conduit (CTC19)		●	●
2CH		Conduit (G1/2)		●	●
3T		T type terminal box (G1/2)		●	●
3RS		T type terminal box with light and surge suppressor (G1/2)		●	●
4A		Grommet lead wire (Heat proof class H or equivalent)	●	●	●
<b>G Voltage</b>					
1	100 VAC 50/60Hz, 110 VAC 60Hz	●	●	●	●
2	200 VAC 50/60Hz, 220 VAC 60Hz	●	●	●	●
3	24 VDC	●	●	●	●
4	12 VDC	●	●	●	●
For voltages other than the above, write in the voltage directly.					
<b>H Solenoid valve quantity</b>					
Blank	No masking plate	●	●	●	●
1	One solenoid valve				
to	to	●	●	●	●
9	Nine solenoid valves				
<b>I Masking plate quantity</b>					
Blank	No masking plate	●	●	●	●
1	One masking plate				
to	to	●	●	●	●
9	Nine masking plates				

Select from the combination of ● marks in the above table.

HNB/G

USB/G

FAB/G

FGB/G

FVB

FWB/G

FHB

FLB

AB

AG

AP/AD

APK/ADK

For dry air

Explosion proof

HVB/HVL

SAB/SVB

NP/NAP/NVP

CHB/G

MXB/G

Other G.P. systems

PDF/FAD/PJ

CVE/CVSE

CPE/CPD

Medical analysis

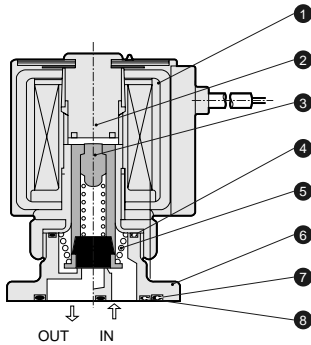
Custom order

Special purpose valve for oil

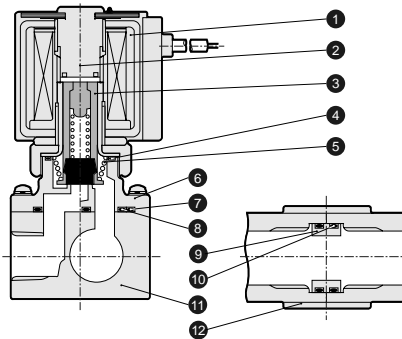
Direct acting 2 port solenoid valve

## Internal structure and parts list

### ● GFLB actuator




### ● GFLB manifold

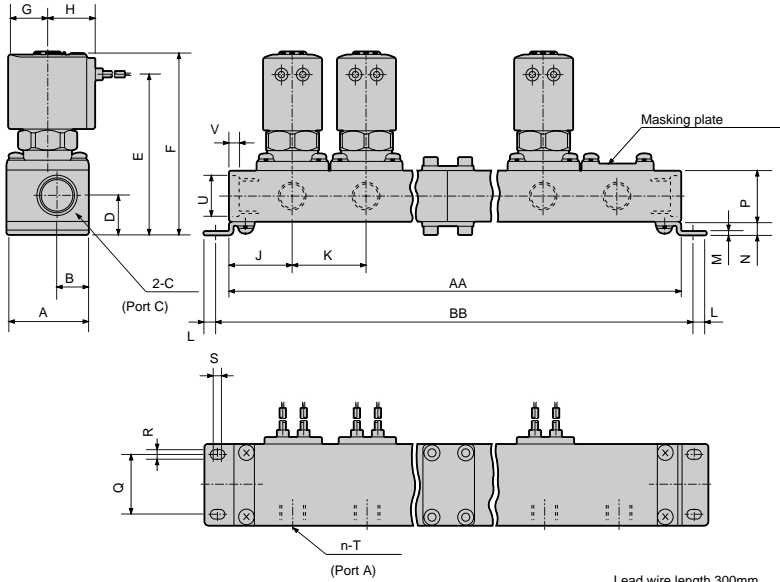


No.	Parts name	Materials	No.	Parts name	Materials
1	Coil assembly	-	7	O ring	FKM Fluoro rubber
2	Core assembly	SUS, Cu	8	O ring	FKM Fluoro rubber
3	Plunger assembly	SUS, C3604, FKM	9	Connector	C3604 Brass
4	O ring	FKM Fluoro rubber	10	O ring	FKM Fluoro rubber
5	Spring	SUS	11	Sub-plate	C3604 Brass
6	Body	C3771	12	Connecting plate	SPC Steel

## Dimensions: Manifold

 (Page 116)

- Grommet lead wire type  
GFLB\*1-\*2-B2C



Lead wire length 300mm

Model no.	Symbol	Stn. no.									
		2	3	4	5	6	7	8	9	10	
<b>GFLB2</b>	AA	81	109	162	165	218	246	274	327	330	
	BB	93	121	174	177	230	258	286	339	342	
<b>GFLB3</b>	AA	97	133	194	205	266	302	338	399	410	
	BB	109	145	206	217	278	314	350	411	422	
<b>GFLB4</b>	AA	106	145	212	223	290	329	368	435	446	
	BB	119	158	225	236	303	342	381	448	459	
<b>GFLB5</b>	AA	118	163	236	253	326	371	416	489	506	
	BB	131	176	249	266	339	384	429	502	519	

Manifold structure 2 stations x 1 | 3 stations x 1 | 2 stations x 2 | 5 stations x 1 | 3 stations x 2 | 5 stations | 5 stations | 2 stations x 3 stations | 3 stations x 3 | 5 stations x 2

Note: The manifold structure is a connected type based on 2, 3 or 5 stations.

Model no.	A	B	C	D	E	F	G	H	J	K	L	M	N	P	Q	R	S	T	U	V
<b>GFLB2</b>	32	13.5	Rc1/4	17.5	66.5	77	15.5	19.5	26	28	6	1.6	6.5	21	22	4.5	2.5	Rc1/8	φ17.3	4
<b>GFLB3</b>	38	14.5	Rc3/8	18.5	75.5	86.5	18.5	22.5	30	36	6	2	6.5	24	28	4.5	2.5	Rc1/4	φ19	4.6
<b>GFLB4</b>	42	16.5	Rc3/8	19.5	84	98	22.5	26	33	39	6.5	2	7.5	24	30	5.5	2.5	Rc1/4	φ19	4.6
<b>GFLB5</b>	42	16.5	Rc3/8	19.5	90	105	26	29.5	36	45	6.5	2	7.5	24	30	5.5	2.5	Rc1/4	φ19	4.6

HNB/G

USB/G

FAB/G

FGB/G

FVB

FWB/G

FHB

**FLB**

AB

AG

AP/AD

APK/ADK

For dry air

Explosion proof

HVB/HVL

SAB/SVB

NP/NAP/NVP

CHB/G

MXB/G

Other G.P. systems

PDF/FAD/PJ

CVE/CVSE

CPE/CPD

Medical analysis

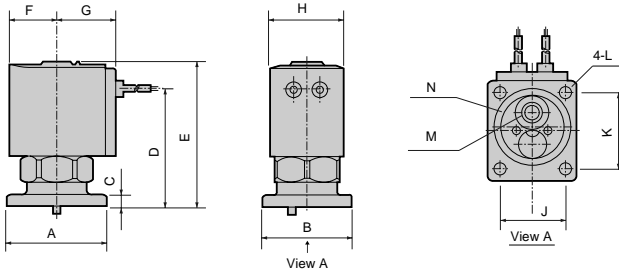
Custom order

Special purpose valve for oil  
Direct acting 2 port solenoid valve



## Dimensions: Actuator

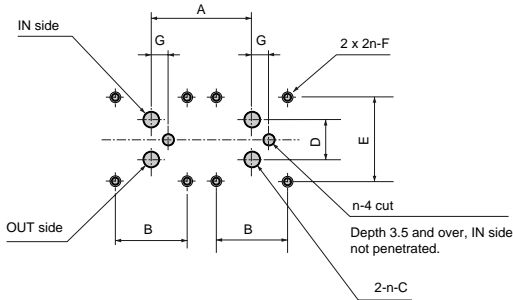
- Grommet lead wire type  
GFLB\*1-\*O-B2C



Lead wire length 300mm

Model no.	A	B	C	D	E	F	G	H	J	K	L	Applicable O ring	
												M	N
<b>GFLB2</b>	32	27	4	39	49.5	15.5	19.5	22	19	24	φ3.5	AS568-009	AS568-018
<b>GFLB3</b>	38	34	4.5	45	56	18.5	22.5	28	25	29	φ4.5	AS568-011	AS568-022
<b>GFLB4</b>	42	38	4.5	52.5	66.5	22.5	26	34	28	32	φ4.5	AS568-012	AS568-025
<b>GFLB5</b>	42	44	5.5	58.5	73.5	26	29.5	40	34	32	φ4.5	AS568-012	AS568-025

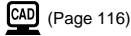
## Actuator installation dimension drawing



Machining drawing, when 2 actuators are used.

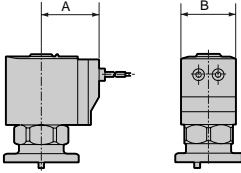
Model no.	A	B	C	D	E	F	G
<b>GFLB2</b>	28 and over	19 ± 0.1	3.5 cut or less	10.6 ± 0.1	24 ± 0.1	M3 effective thread depth 6 and over	6 ± 0.2
<b>GFLB3</b>	35 and over	25 ± 0.1	5.5 cut or less	13.8 ± 0.1	29 ± 0.1	M4 effective thread depth 6 and over	6 ± 0.2
<b>GFLB4</b>	39 and over	28 ± 0.1	7.5 cut or less	17 ± 0.1	32 ± 0.1	M4 effective thread depth 6 and over	7 ± 0.2
<b>GFLB5</b>	45 and over	34 ± 0.1	7.5 cut or less	17 ± 0.1	32 ± 0.1	M4 effective thread depth 6 and over	7 ± 0.2

## Optional dimensions



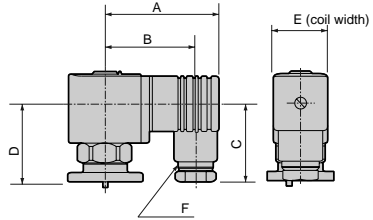
(For common dimensions, refer to the grommet lead wire actuator dimensions on the left page.)

- Grommet lead wire with surge suppressor  
GFLB\*1-\*-\*B<sub>2CS</sub>



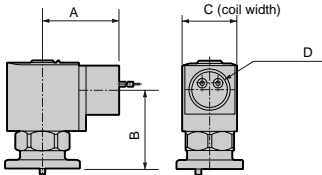
Model no.	A	B
<b>GFLB2</b>	26.5	22
<b>GFLB3</b>	29.5	28
<b>GFLB4</b>	34	34
<b>GFLB5</b>	37.5	40

- DIN terminal box (with light and surge suppressor)  
GFLB\*1-\*-\*B<sub>2G</sub>  
2HS



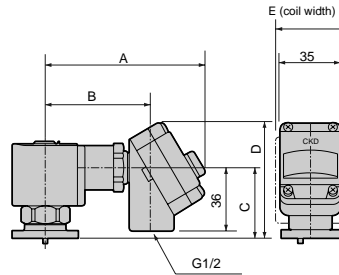
Model no.	A	B	C	D	E	F
<b>GFLB2</b>	53	44	38	32.5	22	Pg9
<b>GFLB3</b>	58.5	47	42	38.5	28	Pg11
<b>GFLB4</b>	62	50.5	42	46.5	34	Pg11
<b>GFLB5</b>	65.5	54	42	54	40	Pg11

- Conduit (CTC19, G1/2)  
GFLB\*1-\*-\*B<sub>2CG</sub>  
2CH



Model no.	A	B	C	D
<b>GFLB3</b>	39	40.5	28	CTC19, G1/2
<b>GFLB4</b>	43	48	34	CTC19, G1/2
<b>GFLB5</b>	46.5	55.5	40	CTC19, G1/2

- T type terminal box (with light and surge suppressor) (G1/2)  
GFLB\*1-\*-\*B<sub>3T</sub>  
3RS



Model no.	A	B	C	D	E
<b>GFLB3</b>	92	60.5	40.5	66.5	28
<b>GFLB4</b>	96	64.5	48	74	34
<b>GFLB5</b>	99.5	68	55.5	81.5	40

HNB/G

USB/G

FAB/G

FGB/G

FVB

FWB/G

FHB

**FLB**

AB

AG

AP/AD

APK/ADK

For dry air

Explosion proof

HVB/HVL

SAB/SVB

NP/NAP/NVP

CHB/G

MXB/G

Other G.P. systems

PD/FAD/PJ

CVE/CVSE

CPE/CPD

Medical analysis

Custom order

Special purpose valve for oil

Direct acting 2 port solenoid valve